

Top 100  
Global  
Innovator  
for 10 years



# Micro Drive M100

The Best Way to Save Money and Time

- Built-in C2 EMC Filter
- User-Friendly Design
  - DIN rail mountable
  - Side-by-side installation
  - Easy connection with RJ45 port
    - Modbus / Smart copier / Remote keypad / Driveview 9
- New UL 61800-5-1 Design
  - Enhanced isolation circuit
- Built-in DB Unit :  $\geq 1.5kW$
- Modbus in Advanced I/O Type



Built-in EMC Filter (C2 class)



Side-by-side Installation  
(2mm between drives)



DIN rail Mountable

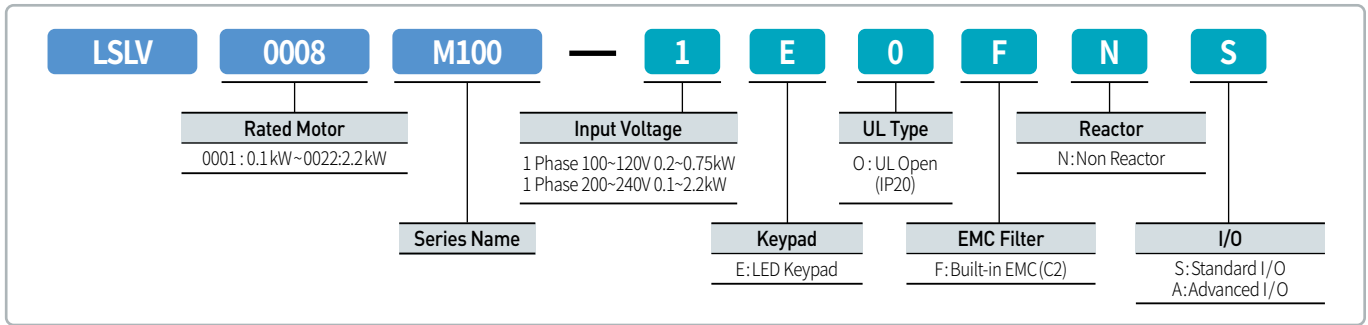


Smart Copier  
(Parameter copy without power)



1 Phase 100~120V 0.2~0.75kW  
1 Phase 200~240V 0.1~2.2kW





**Specification**

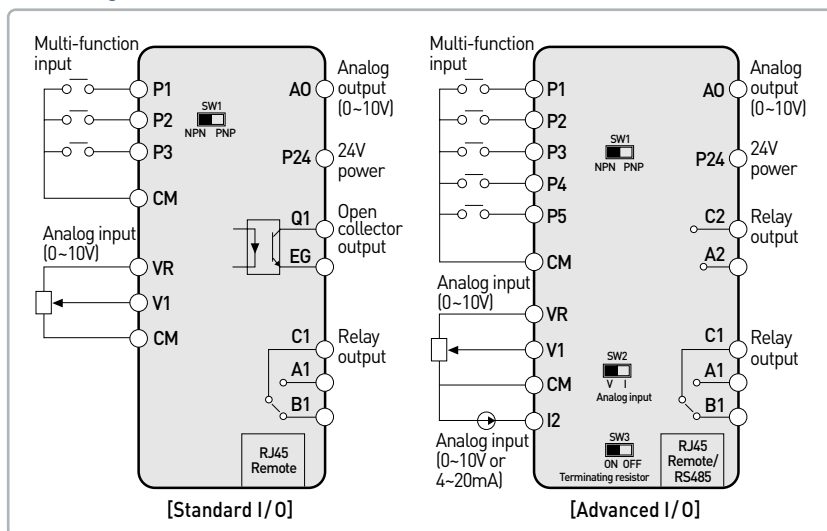
Specification		1 Phase 100~120V			1 Phase 200~240V						
Division		0002	0004	0008	0001	0002	0004	0008	0015	0022	
Applied Motor	Heavy Duty	HP	0.25	0.5	1.0	0.125	0.25	0.5	1.0	2.0	3.0
		kW	0.2	0.4	0.75	0.1	0.2	0.4	0.75	1.5	2.2
Rated Output	Rated Capacity (KVA)		0.6	0.95	1.9	0.3	0.6	0.95	1.9	3.0	4.5
	Rated Current (A)		1.4	2.4	4.2	0.8	1.4	2.4	4.2	7.5	10.0
	Frequency (Hz)		0~400Hz			0~400Hz					
Voltage (V)		1 phase 200~240V			1 phase 100~120V						
Rated Input	Rated Current (A)		3.7	7.4	13.9	1.0	1.8	3.7	7.1	13.6	18.7
	Frequency (Hz)		50~60Hz (±5%)			50~60Hz (±5%)					
	Voltage (V)		1 phase 100-120Vac (-15% to +10%)			1 phase 200-240Vac (-15% to +10%)					
Cooling Type		Natural cooling			Natural cooling		Forced fan cooling				
Weight (Kg)		1		1.36	0.66		1		1.45		

**Environment**

Ambient Temperature*1)	-10~50°C (14~122°F), Ambient temperature under the condition of no ice or frost
Ambient Humidity	Relative humidity less than 95% RH (to avoid condensation forming)
Storage Temperature	-20~65°C (-4~149°F)
Surrounding Environment	Environment Level: 3C3(IEC60721-3-3) classifications (for SO2, H2S, CL, NO2) No corrosive gas, flammable gas, oil mist and dust etc., indoors
Altitude / Oscillation	Below 1,000m, below 9.8m/sec2 (1G)
Pressure	70~106kPa

\*1) 0.1~0.2kW products can be operated at a maximum of 50°C. However, the lifespan of the product maybe reduced when operating continuously with a full load when the ambient temperature exceeds 40°C

**I/O Configuration**



**Dimension**

	W	H1	H	D
1 Phase 100~120V				
0002M100-S	85 (3.34)	163 (6.42)	153 (6.02)	123 (4.84)
0004M100-S				
0008M100-S	100 (3.94)	190 (7.48)	180 (7.08)	140 (5.51)
1 Phase 200~240V				
0001M100-1	85 (3.34)	145 (5.70)	135 (5.31)	100 (3.93)
0002M100-1				
0004M100-1	85 (3.34)	163 (6.42)	153 (6.02)	123 (4.84)
0008M100-1				
0015M100-1	100 (3.94)	190 (7.48)	180 (7.08)	140 (5.51)
0022M100-1				

■ Seoul Office

LS Yongsan Tower, 92, Hangang-daero, Yongsan-gu, Seoul, 04386, Korea  
Tel : 82-2-2034-4620 mswoo@ls-electric.com / Tel : 82-2-2034-4907 hjchoi@ls-electric.com



According to The WEEE Directive, please do not discard the device with your household waste.