



It's evolution - our new  
fuse switch disconnecter  
**ARS evo**

Based on our long experience in the field of switchgear, we have developed a structurally well-thought-out solution in the form of a fuse switch disconnecter, the **ARS evo**. This is an outstanding product with features such as safety, functionality and flexibility.



## Safety

- stable and safe power distribution network
- parking position
- the fuse link can be released without touching it
- special construction allows better heat dissipation



## Functionality

- easy to install
- non-parallel disconnecter
- 2 versions of switching: single-pole and three-pole



## Flexibility

- retractable handle
- reversibility – top/bottom cable terminal connection
- padlock can be installed in open/closed position

## Versions of ARS evo



ARS 00-1 evo



ARS 00-3 evo



ARS 2-1 evo



ARS 2-6 evo

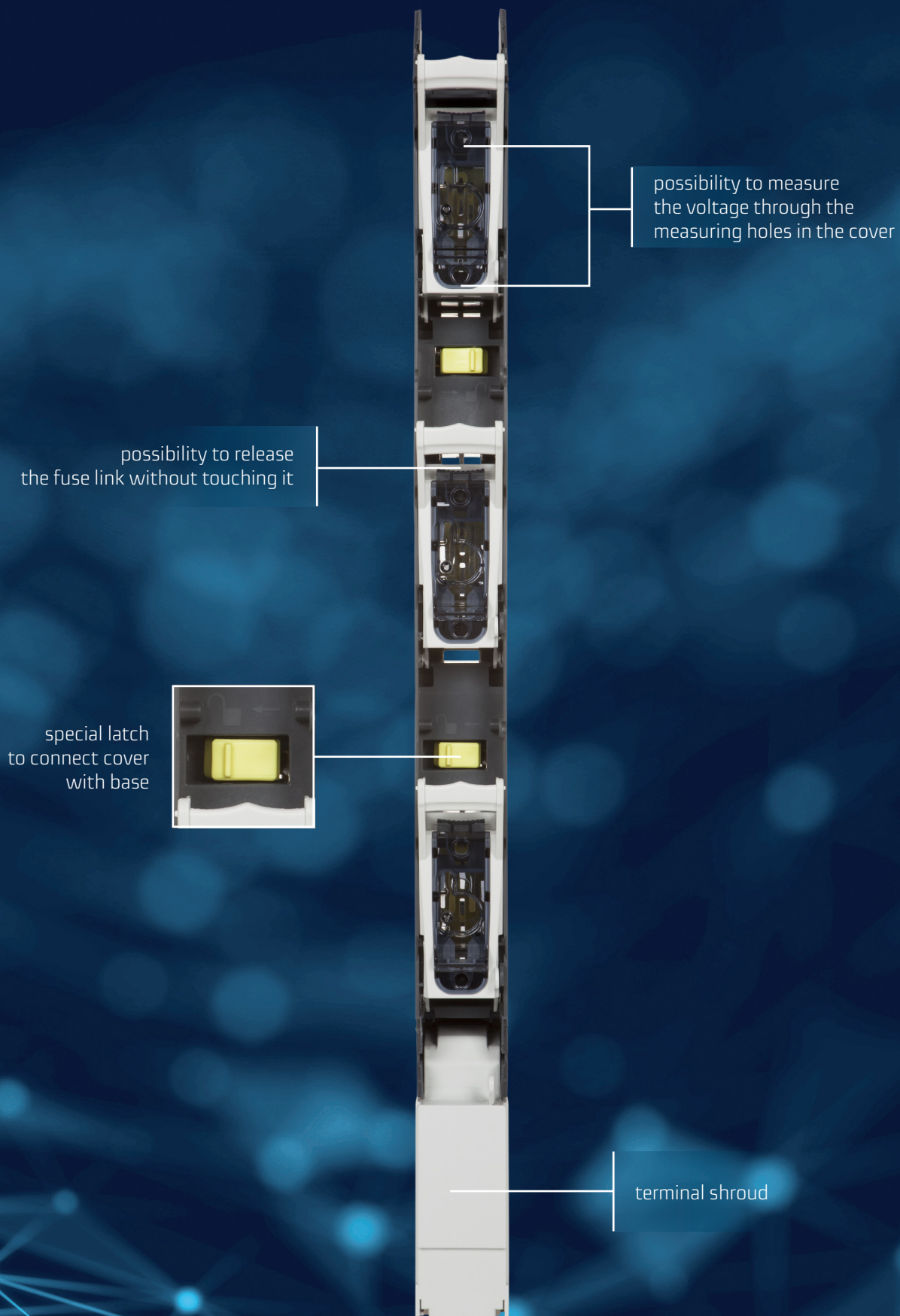


ARS 3-1 evo



ARS 3-6 evo

# ARS 00 evo





**ARS 00-1-M evo**  
single-pole switching

**open position**



**ARS 00-3-M evo**  
three-pole switching

**open position**



**ARS 00-3-M evo**  
three-pole switching

**parking position**




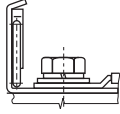
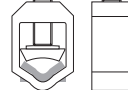
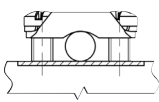
Table 1. Technical data of ARS 00 evo

Parameter	ARS 00 evo	
Rated thermal current $I_{th}=I_n$	A	160
Rated voltage $U_n$	V	690
Utilization category	-	AC-23B AC-22B
Rated operational voltage $U_e$	V	400 690
Rated operational current $I_e$	A	160
Rated short circuit making current	690 V 500 V	kA 80 100
Rated short circuit withstand current	690 V 500 V	kA 80 100
Rated insulation voltage $U_i$	V	1000
Rated impulse withstand voltage $U_{imp}$	kV	8
Rated frequency	Hz	50-60
IP degree of protection	-	30
Fuse links size	-	00

Table 2. Versions of ARS 00 evo

Fuse switch disconnecter ARS 00 evo – 160 A		Article No.
<b>For installation on 185 mm busbar system; SINGLE-POLE SWITCHING – each phase independently</b>		
ARS 00-1 evo	cable terminals: bridge terminals (S) 4-70 mm <sup>2</sup>	63-500750-601
ARS 00-1-V evo	cable terminals: V-terminals: V-clamps 25-150SW	63-500750-602
ARS 00-1-M evo	cable terminals: M8 screw terminals	63-500750-603
<b>For installation on 185 mm busbar system; THREE-POLE SWITCHING – all phases simultaneously</b>		
ARS 00-3 evo	cable terminals: bridge terminals (S) 4-70 mm <sup>2</sup>	63-500750-701
ARS 00-3-V evo	cable terminals: V-terminals: V-clamps 25-150SW	63-500750-702
ARS 00-3-M evo	cable terminals: M8 screw terminals	63-500750-703

Table 3. ARS 00 evo terminal clamps

Description	ARS 00-M evo	ARS 00-V evo	ARS 00 evo
Clamp	M8 screw*	V-clamp 25-150 SW	S-bridge clamp 2 x M5 x 25
Picture of clamp			
Drawing of clamp			
Cross-section of conductors	Conductor with lug terminal max. 185 mm <sup>2</sup>	re ● 16 mm <sup>2</sup> -95 mm <sup>2</sup> se ◐ 25 mm <sup>2</sup> -150 mm <sup>2</sup> rm ◑ 16 mm <sup>2</sup> -95 mm <sup>2</sup> sm ◒ 25 mm <sup>2</sup> -150 mm <sup>2</sup>	4-70 mm <sup>2</sup>
Tightening torque	12 Nm**	20 Nm**	3 Nm**

For stranded conductors using cable ferrules is recommended

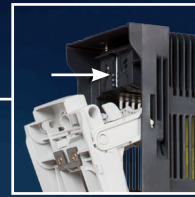
\*) bars of maximum width of 20 mm and maximum thickness of 5 mm can be fixed to M type screw terminals

\*\*) using tension wrench is recommended

Aparator takes responsibility for technical quality of V-terminals manufactured only by the company. Minimum tightening torque (M8 screw) for screws fixing fuse switch disconnecter to busbar system – 12 Nm, recommended tightening torque for screws and nuts with property class 8.8 – 21 Nm.

# ARS evo

retractable handle  
in the single-pole switching version

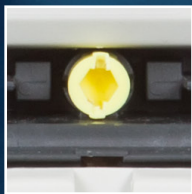


arc chamber  
with deionization  
plates over upper  
contacts

possibility to measure  
the voltage through the  
measuring holes in the cover

possibility to release  
the fuse link without touching it

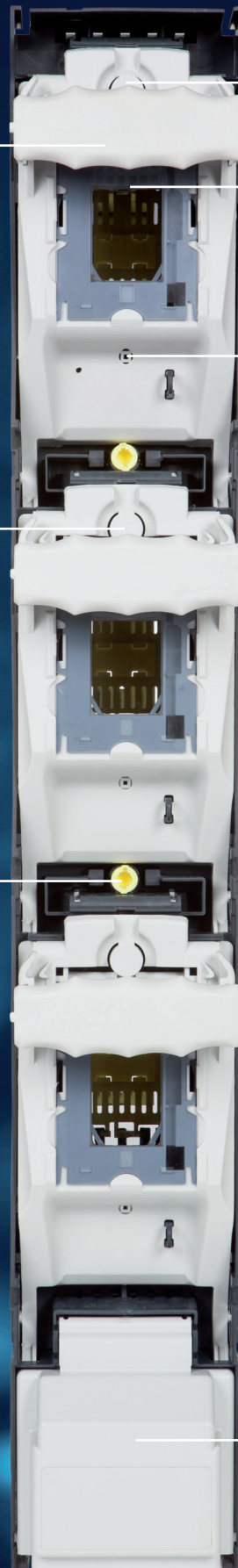
special screw  
to connect cover  
with base



possibility  
to install a  
microswitch



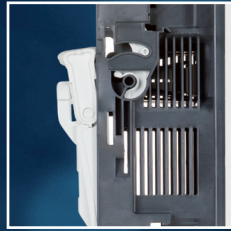
terminal shroud  
integrated with cover





**ARS 2-1-V evo**  
single-pole switching

closed position  
parking position  
open position



**ARS 3-1-M evo**  
single-pole switching

in the closed position  
there is possibility  
to retract the handle



**ARS 2-6-2V evo**  
three-pole switching

open position



**ARS 3-6-M evo**  
three-pole switching

parking position

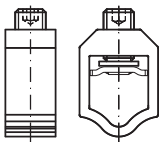
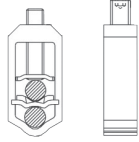
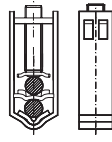

Table 4. Technical data of ARS 2, 3 evo

Parameter		ARS 2 evo	ARS 3 evo
Rated thermal current $I_{th}=I_n$	A	400	630
Rated voltage $U_n$	V	690	690
Utilization category			single-pole switching
			three-pole switching
		AC 22B/690 V/400 A	AC 21B/690 V/630 A
		AC 23B/400 V/400 A	AC 22B/500 V/630 A
Rated operational voltage $U_e$	V	690	690
Rated operational current $I_e$	A	400	630
Rated short circuit making current	kA	120 at 690 V	100 at 690 V
		120 at 500 V	120 at 500 V
Rated short circuit withstand current	kA	120 at 690 V	100 at 690 V
		120 at 500 V	120 at 500 V
Rated insulation voltage $U_i$	V	1000	1000
Rated impulse withstand voltage $U_{imp}$	kV	12	12
Mechanical durability	Number of cycles	1000	1000
Electrical durability	Number of cycles	200	200
IP degree of protection	-	30	30
Fuse link size	-	NH1, NH2	NH1, NH2, NH3
Max. power dissipation per fuse link	-	NH1 - 32 W, NH2 - 36 W	NH1 32 W, NH2 - 48 W, NH3 - 48 W

Table 5. Versions of ARS 2, 3 evo

Version		Article No.
<b>Fuse switch disconnectors ARS 2 evo – 400 A</b>		
<b>For installation on 185 mm busbar system; SINGLE-POLE SWITCHING – each phase independently</b>		
ARS 2-1-M evo	cable terminals: screw terminals: nuts M12/ bolts M12	63-500700-611
ARS 2-1-V evo	cable terminals: V-terminals: V-clamps 240 mm <sup>2</sup>	63-500700-612
ARS 2-1-2V evo	cable terminals: 2V-terminals: double V-clamps 240 mm <sup>2</sup>	63-500700-613
<b>For installation on 185 mm busbar system; THREE-POLE SWITCHING – all phases simultaneously</b>		
ARS 2-6-M evo	cable terminals: screw terminals: nuts M12/ bolts M12	63-500700-711
ARS 2-6-V evo	cable terminals: V-terminals: V-clamps 240 mm <sup>2</sup>	63-500700-712
ARS 2-6-2V evo	cable terminals: 2V-terminals: double V-clamps 240 mm <sup>2</sup>	63-500700-713
<b>Fuse switch disconnectors ARS evo 3 – 630 A</b>		
<b>For installation on 185 mm busbar system; SINGLE-POLE SWITCHING – each phase independently</b>		
ARS 3-1-M evo	cable terminals: screw terminals: nuts M12/ bolts M12	63-500700-621
ARS 3-1-V evo	cable terminals: V-terminals: V-clamps 240 mm <sup>2</sup>	63-500700-622
ARS 3-1-2V evo	cable terminals: 2V-terminals: double V-clamps 240 mm <sup>2</sup>	63-500700-623
<b>For installation on 185 mm busbar system; THREE-POLE SWITCHING – all phases simultaneously</b>		
ARS 3-6-M evo	cable terminals: screw terminals: nuts M12/ bolts M12	63-500700-721
ARS 3-6-V evo	cable terminals: V-terminals: V-clamps 240 mm <sup>2</sup>	63-500700-722
ARS 3-6-2V evo	cable terminals: 2V-terminals: double V-clamps 240 mm <sup>2</sup>	63-500700-723

Table 6. ARS 2, 3 evo terminal clamps

Description	ARS -V evo	ARS -2V evo		ARS -Mevo
Clamp	V-clamp 35-300SW-B	V-clamp 2/50-300SW-B	V-clamp HS 2/50-240-C*	M-screw M12**
Drawing of clamp				
Cross – section of conductors	V-clamp for direct fixing of conductor with bare end with crosssection of			
	● 35 - 240 mm <sup>2</sup>	● 50 - 240 mm <sup>2</sup>	● 50 - 240 mm <sup>2</sup>	Lug terminal
	◐ 35 - 300 mm <sup>2</sup>	◐ 50 - 300 mm <sup>2</sup>	◐ 50 - 300 mm <sup>2</sup>	
	◑ 35 - 185 mm <sup>2</sup>	◑ 50 - 185 mm <sup>2</sup>	◑ 50 - 185 mm <sup>2</sup>	
◒ 35 - 240 mm <sup>2</sup>	◒ 50 - 240 mm <sup>2</sup>	◒ 50 - 240 mm <sup>2</sup>		
Tightening torque	30 Nm	30 Nm	40 Nm	32 Nm

For stranded conductors using bare end of conductor/lug terminals is recommended

\*) if the fuse switch disconnector with a 2V-type clamp is to be equipped with a steel V-clamp HS 2/50-240-C, it should be included in the order

\*\*) bars of maximum width of 40 mm and maximum thickness of 8 mm can be fixed to M type screw terminals when protective barrier between phases is installed  
Apator takes responsibility for technical quality of V-terminals manufactured only by the company. Minimum tightening torque M12 screw for screws fixing fuse switch disconnector to busbar system – 32 Nm, recommended tightening torque for screws and nuts with property class 8.8 – 32 Nm.

Table 7. Accessories

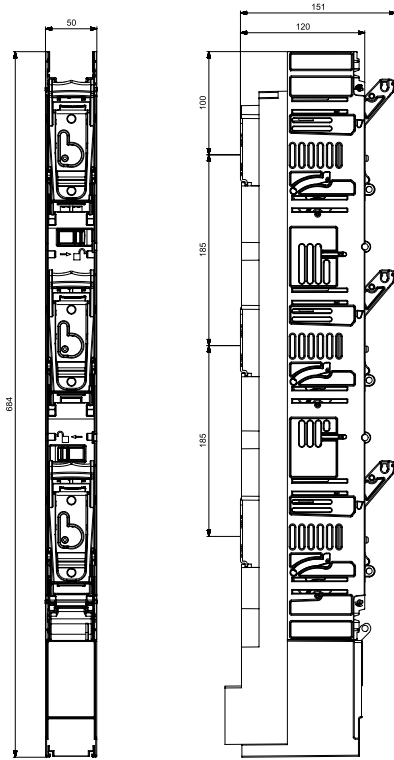
Description	Article No.	Picture
Terminal shroud for top connection	51-500700-109	
NO - normally open microswitch	1115296318T	 NO
NC - normally closed microswitch	1115296319T	 NC



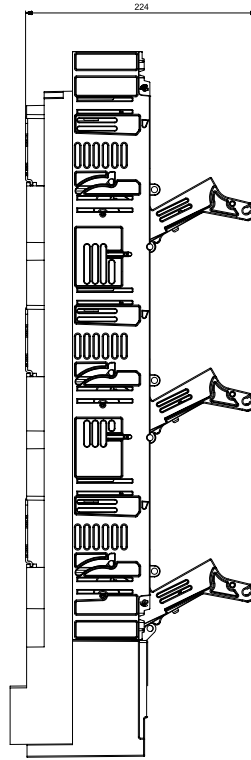
# DIMENSIONS

## ARS 00-1 evo

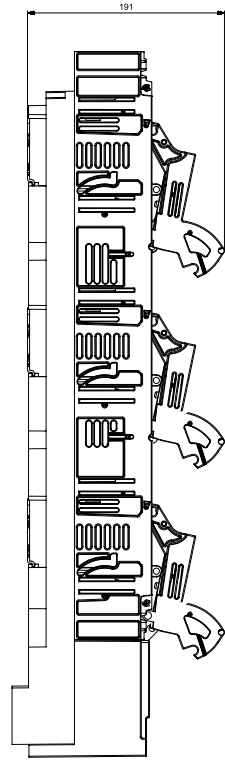
CLOSED POSITION



OPEN POSITION

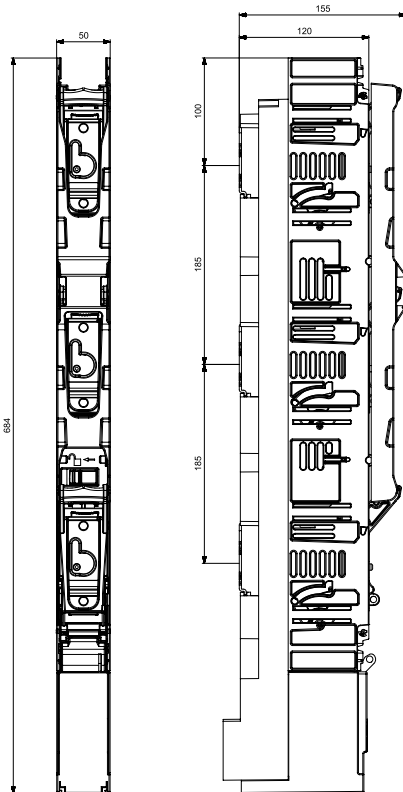


PARKING POSITION

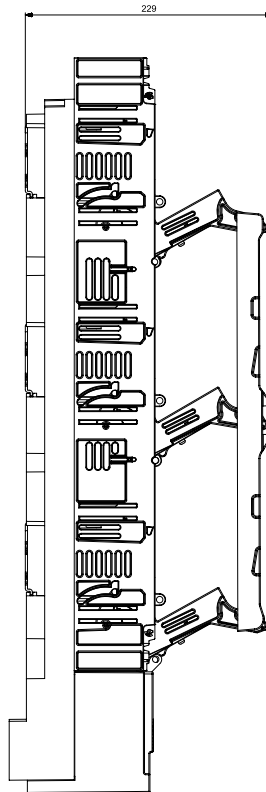


## ARS 00-3 evo

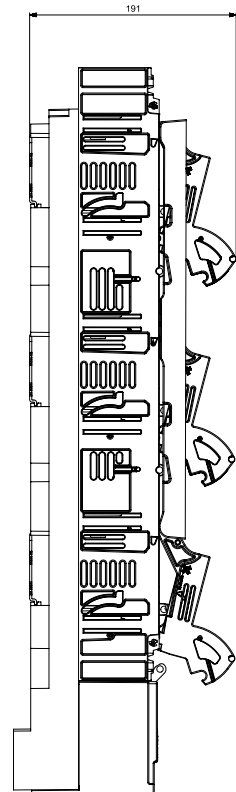
CLOSED POSITION



OPEN POSITION

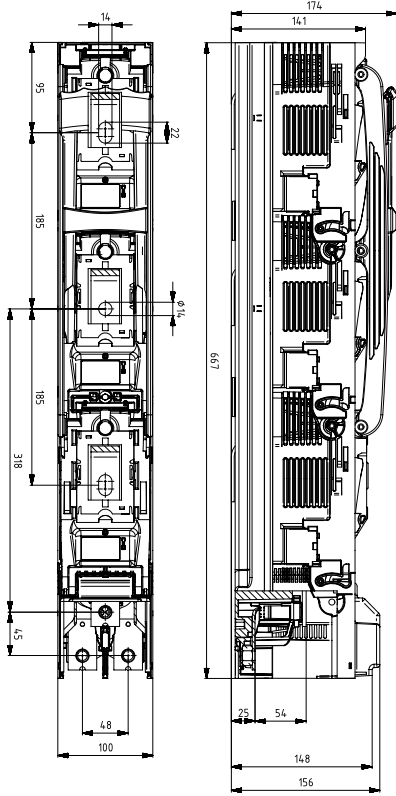


PARKING POSITION

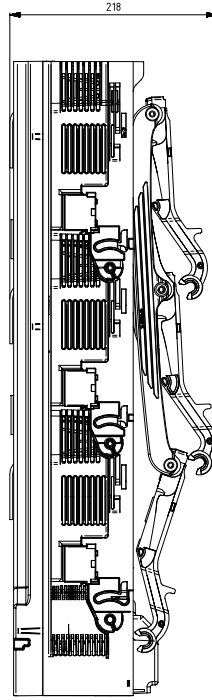


ARS 2-6-M evo, ARS 3-6-M evo

CLOSED POSITION

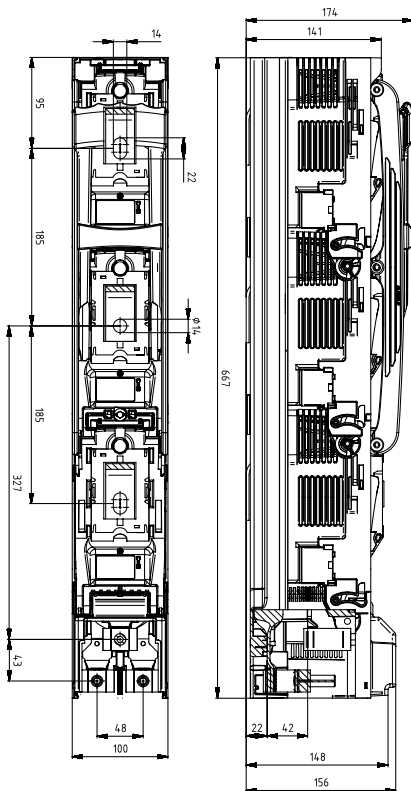


PARKING POSITION

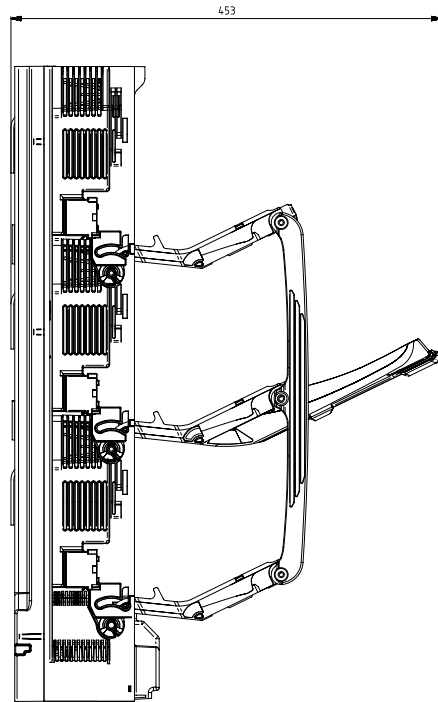


ARS 2-6-V evo, ARS 3-6-V evo

CLOSED POSITION

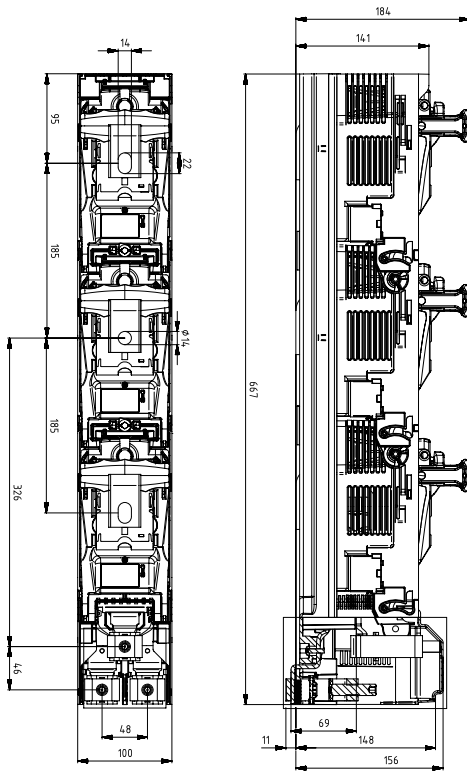


OPEN POSITION

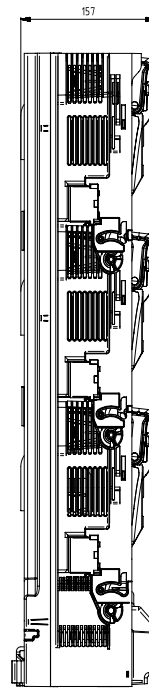


ARS 2-1-2V evo, ARS 3-1-2V evo

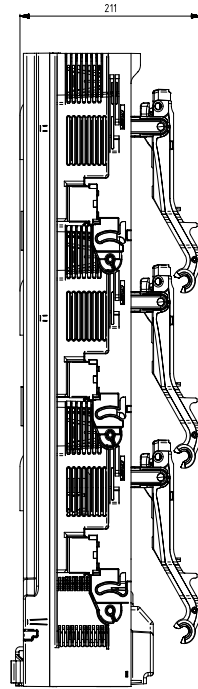
CLOSED POSITION



CLOSED POSITION  
WITH RETRACABLE HANDLES



PARKING POSITION



the publication is only for information purposes  
and it is not the offer in understanding of the law

#### KEY ACCOUNT MANAGER

Rafał Kamiński (English, Russian) Central Europe, South East Europe	rafal.kaminski@apator.com	+48 506 009 338
Michael Roclawski (German, English) Germany, Austria, Switzerland	michael.roclawski@apator.com	+48 506 009 339
Krzysztof Zdrojewski (English) Middle East, South America, Asia, Africa	krzysztof.zdrojewski@apator.com	+48 506 009 309
Jevgenijus Samuchovas (Lithuanian, Russian) Eastern Europe, Baltic Countries	jevgenijus.samuchovas@apator.com	+370 62 842709
Josef Kalleder (Romanian, English) Romania, Rep. of Moldova	josef.kalleder@apator.com	+40 74 5267192

#### TECHNICAL SUPPORT

##### Business Development Manager

Łukasz Melkowski (English)	lukasz.melkowski@apator.com	+48 506 009 334
----------------------------	-----------------------------	-----------------

##### Product Marketing Manager

Jakub Szczepkowski (English)	jakub.szczepkowski@apator.com	+48 506 009 395
------------------------------	-------------------------------	-----------------



#### APATOR SA

ul. Gdańska 4a, lok C4, 87-100 Toruń, Poland

Correspondence address:

Apator S.A. Centrum  
Ostaszewo 57C, 87-148 Łysomice, Poland

head office tel. +48 56 61 91 494, +48 56 61 91 316, fax +48 56 61 91 295