

20 years of creating a better future

MOREK



Electrical components

morek.eu 2023/2024

Powering Progress with Quality Electrical Components

Powering Progress with Quality
Electrical Components

MOREK

Creating a better future for You

Morek is a European brand that offers innovative electrical accessories for panel builders, electrical installers, and the photovoltaic industry. With 20 years of experience, we provide high-quality products made in Europe to meet their specific needs.

-  Morek Finland
-  Morek Estonia
-  Morek Latvia
-  Morek Lithuania
-  Morek Poland
-  Morek Czech Republic
-  Morek Slovakia
-  Morek France
-  Morek Bulgaria
-  Morek Portugal



Industry Expertise

Morek brings extensive experience in the electrical industry, understanding the challenges customers face daily. This expertise allows us to offer targeted solutions that effectively solve problems, saving you time and money.



Customer-Centric Approach

Our primary focus is on helping customers succeed. By eliminating obstacles and providing efficient solutions, we aim to create a better future for you, enabling you to dedicate your time to more important tasks.



Comprehensive Product Portfolio.

Morek offers a tailored product portfolio that covers all your needs for managing electrical cabinet connections. With our complete solution, you no longer have to waste time searching for products from multiple suppliers.



Innovative Solutions

We pride ourselves on providing smart and innovative technical solutions. Our products are designed to simplify complex technical issues in a simple and elegant manner. Additionally, they can optimize space within enclosures and replace costly alternatives while enhancing technical functionality.



ElecZap Business Tools

ElecZap complements Morek's offerings by providing essential tools to simplify your everyday business operations. With features like centralized supplier management, easy access to order documents, project management, order tracking, and standardized product data, ElecZap streamlines your processes and enhances efficiency.



Technical Database and Quality Commitment

By offering a full technical database, catering to your technical and administrative needs, and ensuring the highest quality standards, Morek is committed to providing you with a seamless experience and effective solutions for your electrical challenges.

High runners



Universal terminals OTL
(1500 V DC)
Page 7



Distribution blocks OJL
Page 20



Distribution blocks Moblock
Page 24



Universal connectors OTH
Page 36



Bow terminals
Page 44



Insulators
Page 50



Insulated copper flexible busbar Moflex
Page 64



Sealing and edge protection profiles
Page 71



Cabel glands (plastic & metal)
Page 75



Cable entry plates
Page 101



Splitting cable entry plates (IP55)
Page 115



Shear bolt cable lugs
Page 118



Shear bolt cable connectors
Page 122



Gel joints Break
Page 138



Distribution blocks SLT
Page 143



Solar PV connectors
Page 146

Universal terminals OTL	7
1 pole (2 holes) universal terminals OTL	10
1 pole (4 holes) universal terminals OTL	12
1 pole (6 holes) universal terminals OTL	14
3 pole (6 holes), 5 pole (10 holes) universal terminals OTL	15
Universal terminals OTL-PEN	16
Protective plastic covers for universal terminals OTL, contact grease SR-1	17
Flexible busbar universal terminals OTL	18
Distribution blocks	20
Distribution blocks OJL 80A, 135A, 200A, 280A	21
Distribution blocks OJL 400A	22
OJL busbar adapters	23
Distribution blocks Moblock	24
Connectors OT-PEN	27
Connectors OL-PEN	28
Device connectors	29
Heavy duty connectors OL	32
Insulated universal connectors OLI	34
Universal connectors OT	35
Universal connectors OTH	36
NPE and bow terminals	39
Terminals BB	39
Terminals MPIN and connecting adapters	41
Terminals NPE (IP00), terminals MSET	42
Terminals NPE (IP20), distribution terminals MAG	43
Bow terminals	44
Bow terminals MAE-E	45
Bimetal bow terminals MAE-H	46
Accessories for switchgears	47
Grounding ball studs	47
Adapter M 12	48
Earthing terminals and strips	49
Insulators	50
Polyester spacing insulators	51
Polyamide stud insulators	53
Sendzimir DIN rails	55
Zinc plated DIN rails	56
Din rail brackets	57
Document holders	58
Metal spacers	59
Locks and keys; key, wing knob, dust cover, finger pull	60
Sliding latch and flush handle	61
Door handles, tube door handle	62
180° hinge, wind stop	63
Insulated copper flexible busbars Moflex	64
Moflex flexible busbar clamp	70
Sealing and edge protection profiles	71
Edge protection profiles	72
Sealing profiles	73
Cable glands and connectors, ventilation glands	75
Plastic cable glands	75
Polyamide cable glands, standard	76
Polyamide cable glands, long thread	78
Polyamide cable glands with locknut and O-ring	80
Polyamide cable glands. Spiral type	81
Polyamide blind stops	82
Polyamide lock nuts	83
Protection tabs, O-ring for cable glands	85
Metal cable glands	86
Metal cable glands, standard, brass	87
Metal cable glands, standard, stainless steel	88

Metal cable glands, mini, brass	89
Metal cable glands, EMC, brass	90
Metal cable glands, special size, brass	91
Metal blind stop, brass	92
Metal lock nuts, brass	93
Metal lock nuts, stainless steel	94
Metal lock nuts, EMC, brass/stainless steel	95
Single grommets	96
Single grommets T-VET PG (IP67)	97
Single grommets T-GET M (IP67)	98
Single grommets T-GD, T-GDM (IP54)	99
Single grommets MGD (IP54), single grommets M 20-80	100
Cable entry plates	101
Cable entry plates MC (IP66/67)	102
Cable entry plates MC (IP65)	103
Cable entry plate MC 4 (IP65)	104
Cable entry plate MC 10 (IP55)	105
Cable entry plates LMC (IP55, IP54, IP44)	106
Cable entry plate MC 16 (IP54)	107
Cable entry plates MB (IP55, 66/67)	108
Cable entry plates MHF (IP66)	109
Cable entry plates RMC (IP65)	112
Single grommets T-RGDM (IP64)	114
Splitting cable entry plates	115
Splitting cable entry plates SCG, MC (IP55)	116
Shear Bolt cable lugs and connectors	118
Shear Bolt cable lugs up to 12kV	118
Shear Bolt cable connectors up to 12kV	122
Shear Bolt cable lugs up to 36kV	126
Shear Bolt cable connectors up to 36kV	131
Heat-shrink sets for cables up to 1 kV	135
1kV terminations for XLPE/PVC cables with Shear Bolt lugs	136
1kV joints for XLPE/PVC cables with Shear Bolt connectors	137
Gel joints Break	138
Modular terminal blocks	141
InsuGel One, 300 ml; InsuGel One, 1 kg	142
Distribution blocks SLT	143
Branching connector sealing kit	145
Solar PV connectors	146
Comparison of materials	148
Table for IP codes	149

Universal terminals OTL

According to IEC

1000V AC

1500V DC

According to UL

1000V AC/DC

Bimetal

(Al/Cu)

Class A



Universal terminals OTL are designed for copper and aluminium conductors. The terminals are suitable for all types of copper or aluminium conductors with cross-section up to 300 mm². Multiple copper wires can be placed to the universal terminals OTL blocks according to the respective terminal type (see Table of universal terminals OTL wiring connectivity on page 9). IP protection class for OTL terminals is IP20.



Certification and product safety

Universal terminals OTL undergo rigorous testing and certification to ensure compliance with industry standards. They are certified according to **EN 60947-7-1:2009** and **EN 61238-1:2003**, which establish requirements for terminal blocks and connectors for power cables.

EN 61238-1:2003 classifies connectors into two categories

Class A, which undergo heat cycle and short-circuit testing for electricity distribution and industrial networks.

Class B, which only undergo heat cycle testing and are suitable for networks with rapid overload or short-circuit protection.

Universal terminals OTL are certified as Class A connectors, making them suitable for most applications. When choosing a connector, it is essential to ensure it bears the CE marking and Class A certification symbol, such as the FI mark, for reliable and safe electrical connections.

Material classification according to UL 94 V-0 standard (vertical burning test)

Criteria Conditions	94 V-0	94 V-1	94 V-2
Total flaming combustion for each specimen	≤ 10 sec	≤ 30 sec	≤ 30 sec
Total flaming combustion for all 5 specimens of any set	≤ 50 sec	≤ 250 sec	≤ 250 sec
Flaming and glowing combustion for each specimen after second burner flame application	≤ 30 sec	≤ 60 sec	≤ 60 sec
Cotton ignited by flaming drips from any specimen	No	No	Yes

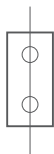
Universal terminals OTL wiring connectivity

In case of Aluminum wire, only one wire is allowed to connect per connection

Type	Conductor cross-section (mm ²) / number of copper wires per connection															Tightening torque (Nm)	In (A) Al / Cu		
	1,5	2,5	4	6	10	16	25	35	50	70	95	120	150	185	240			300	
OTL 16	3 pcs	3 pcs	2 pcs	2 pcs	1 pcs	1 pcs												1,5 Nm (1,5 - 6 mm ²) 7 Nm (10 - 16 mm ²)	75 / 82
OTL 35																		3 Nm (2,5 - 16 mm ²) 6 Nm (25 - 35 mm ²)	120 / 135
OTL 35-2		3 pcs	3 pcs	3 pcs	3 pcs	2 pcs	1 pcs	1 pcs											
OTL 35-3X																			
OTL 35-5X																			
OTL 50																		1,5 Nm (1,5 - 2,5 mm ²) 5 Nm (4 - 10 mm ²) 10 Nm (16 - 50 mm ²)	145 / 160
OTL 50-2	3 pcs	3 pcs	3 pcs	3 pcs	3 pcs	3 pcs	2 pcs	1 pcs	1 pcs										
OTL 50-3																			
OTL 95																		12 Nm (6 - 25 mm ²) 22Nm (35 - 95 mm ²)	220 / 245
OTL 95-2				3 pcs	3 pcs	3 pcs	3 pcs	2 pcs	1 pcs	1 pcs	1 pcs								
OTL 95-3																			
OTL 150																		14 Nm (25 - 50 mm ²) 30 Nm (70 - 150 mm ²)	290 / 320
OTL 150-2							3 pcs	3 pcs	3 pcs	2 pcs	1 pcs	1 pcs	1 pcs						
OTL 150-3																			
OTL 240																		26 Nm (35 - 120 mm ²) 40 Nm (150 - 240 mm ²)	380 / 425
OTL 240-2								3 pcs	3 pcs	3 pcs	2 pcs	2 pcs	1 pcs	1 pcs	1 pcs				
OTL 300-1												3 pcs	2 pcs	2 pcs	1 pcs	1 pcs	1 pcs	35 Nm (95-150 mm ²) 60 Nm (185-300 mm ²)	440 / 490
OTL 300-3												3 pcs	2 pcs	2 pcs	1 pcs	1 pcs	1 pcs	35 Nm (95 - 150 mm ²) 45 Nm (185 - 300 mm ²)	630 / 630

We recommend using cable end sleeves, when using fine-strand wires with following cross-sections (single-wire connections):

- OTL 16:** 1,5 mm²...6 mm²
- OTL 35:** 2,5 mm²...10 mm²
- OTL 50:** 1,5 mm²...16 mm²
- OTL 95:** 6 mm²...35 mm²
- OTL 150:** 25 mm²...70 mm²
- OTL 240:** 35 mm²...120 mm²
- OTL 300:** 95 mm²...150 mm²



OTL 16

OTL 35

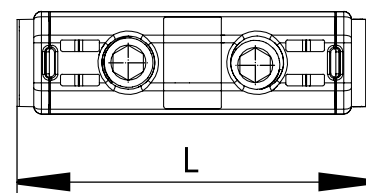
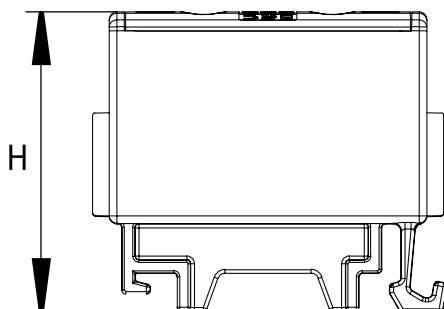
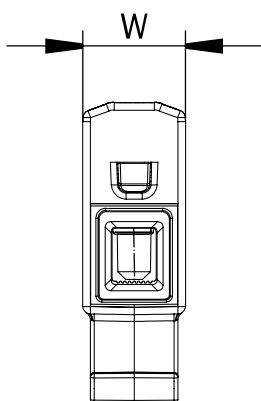
OTL 50

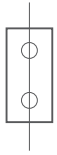
Grey		MAA1016A10	MAA1035A10	MAA1050A10
Blue		MAA1016B10	MAA1035B10	MAA1050B10
Yellow-green		MAA1016Y10	MAA1035Y10	MAA1050Y10
Red		MAA1016R10	MAA1035R10	MAA1050R10
Black		MAA1016S10	MAA1035S10	MAA1050S10

Technical data

Conductor cross-section Cu, Al (mm ²)		1,5 - 16	2,5 - 35	1,5 - 50
Nominal voltage AC / DC (V)		1000 / 1500	1000 / 1500	1000 / 1500
Nominal voltage AC / DC (V)		1000	1000	1000
Nominal current (A)		82 (Cu) / 75 (Al)	135 (Cu) / 120 (Al)	160 (Cu) / 145 (Al)
Nominal current (A)		85 (Cu) / 65 (Al)	115 (Cu) / 90 (Al)	150 (Cu) / 120 (Al)
Width / Height / Length (mm)		13,5 / 39,5 / 45	16 / 40 / 45	18 / 43 / 50
Screw, hexagonal key		No. 4	No. 4	No. 5
Tightening torque (Nm)		1,5 Nm (1,5 mm ²) 3,5 Nm (2,5 - 6 mm ²) 7 Nm (10-16 mm ²)	3 Nm (2,5 - 16 mm ²) 6 Nm (25 - 35 mm ²) -	1,5 Nm (1,5 - 2,5 mm ²) 5 Nm (4 - 10 mm ²) 10 Nm (16 - 50 mm ²)
Mounting		DIN rail	DIN rail	DIN rail
Weight (g)		17	27	30
Package (pcs)		30	30	50 / 30

Dimensions





OTL 95

OTL 150

OTL 240

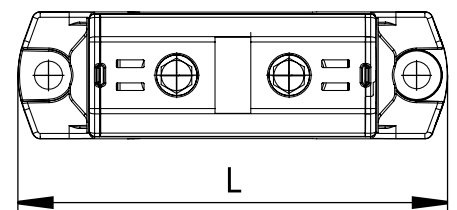
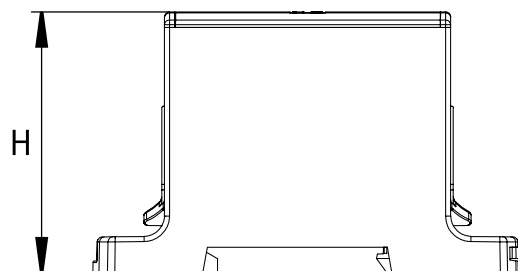
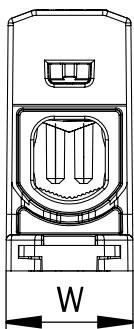
OTL 300

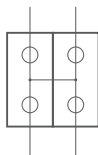
Grey	●	MAA1095A10	MAA1150A10	MAA1240A10	MAA1300A10
Blue	●	MAA1095B10	MAA1150B10	MAA1240B10	MAA1300B10
Yellow-green	●	MAA1095Y10	MAA1150Y10	MAA1240Y10	MAA1300Y10
Red	●	MAA1095R10	MAA1150R10	MAA1240R10	MAA1300R10
Black	●	MAA1095S10	MAA1150S10	MAA1240S10	MAA1300S10

Technical data

Conductor cross-section Cu, Al (mm ²)		6 - 95	25 - 150	35 - 240	95 - 300
Nominal voltage AC / DC (V)		1000 / 1500	1000 / 1500	1000 / 1500	1000 / 1500
Nominal voltage AC / DC (V)		1000	1000	1000	
Nominal current (A)		245 (Cu) / 220 (Al)	320 (Cu) / 290 (Al)	425 (Cu) / 380 (Al)	490 (Cu) / 440 (Al)
Nominal current (A)		230 (Cu) / 180 (Al)	285 (Cu) / 250 (Al)	380 (Cu) / 310 (Al)	-
Width / Height / Length (mm)		25 / 51 / 84	31 / 54 / 84	37 / 65 / 106	44 / 71 / 122
Screw, hexagonal key		No. 6	No. 6	No. 8	No. 8
Tightening torque (Nm)		12 Nm (6 - 25 mm ²) 22 Nm (35 - 95 mm ²) -	14 Nm (25 - 50 mm ²) 35 Nm (70 - 150 mm ²)	26 Nm (35 - 120 mm ²) 46 Nm (150 - 240 mm ²)	30 Nm (95 - 150 mm ²) 60 Nm (185 - 300 mm ²)
Mounting		DIN rail, screw	DIN rail, screw	DIN rail, screw	DIN rail, screw
Weight (g)		65	100	195	332
Package (pcs)		● 20 / ● ● ● ● ● 10	● 20 / ● ● ● ● ● 10	● 10 / ● ● ● ● ● 3	● 3 / ● ● ● ● ● 3

Dimensions





OTL 35-2



OTL 50-2



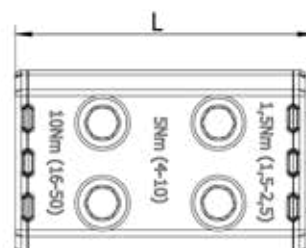
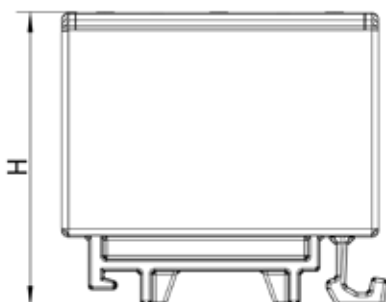
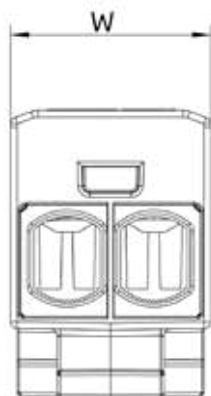
OTL 95-2

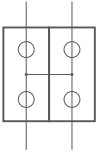
Grey	●	MAA2035A10	MAA2050A10	MAA2095A10
Blue	●	MAA2035B10	MAA2050B10	MAA2095B10
Yellow-green	●	MAA2035Y10	MAA2050Y10	MAA2095Y10
Red	●	MAA2035R10	MAA2050R10	MAA2095R10
Black	●	MAA2035S10	MAA2050S10	MAA2095S10

Technical data

Conductor cross-section Cu, Al (mm ²)		2,5 - 35	1,5 - 50	6 - 95
Nominal voltage AC / DC (V)		1000 / 1500	1000 / 1500	1000 / 1500
Nominal voltage AC / DC (V)		1000	1000	1000
Nominal current (A)		135 (Cu) / 120 (Al)	320 (Cu) / 290 (Al)	245 (Cu) / 220 (Al)
Nominal current (A)		115 (Cu) / 90 (Al)	150 (Cu) / 120 (Al)	230 (Cu) / 180 (Al)
Width / Height / Length (mm)		27 / 40 / 46	30 / 43 / 49	42 / 51 / 84
Screw, hexagonal key		No. 4	No. 5	No. 6
Tightening torque (Nm)		3 Nm (2,5 - 16 mm ²) 6 Nm (25 - 35 mm ²) -	1,5 Nm (1,5 - 2,5 mm ²) 5 Nm (4 - 10 mm ²) 10 Nm (16 - 50 mm ²)	12 Nm (6 - 25 mm ²) 22 Nm (35 - 95 mm ²) -
Mounting		DIN rail	DIN rail	DIN rail, screw
Weight (g)		44	90	125
Package (pcs)		18	15	● 30 / ● ● ● ● 15

Dimensions





OTL 150-2



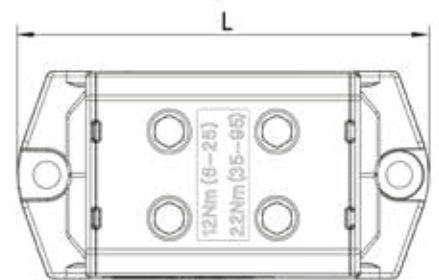
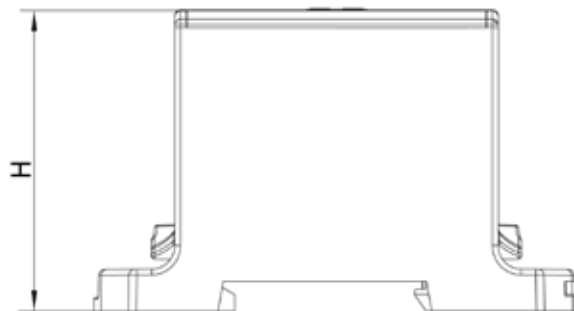
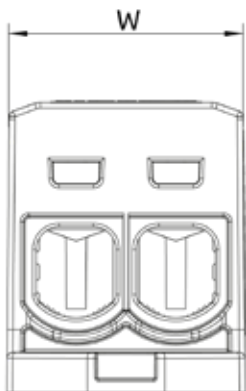
OTL 240-2

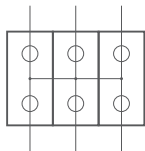
Grey	●	MAA2150A10	MAA2240A10
Blue	●	MAA2150B10	MAA2240B10
Yellow-green	●	MAA2150Y10	MAA2240Y10
Red	●	MAA2150R10	MAA2240R10
Black	●	MAA2150S10	MAA2240S10

Technical data

Conductor cross-section Cu, Al (mm ²)		25 - 150	35 - 240
Nominal voltage AC / DC (V)		1000 / 1500	1000 / 1500
Nominal voltage AC / DC (V)		1000	1000
Nominal current (A)		320 (Cu) / 290 (Al)	425 (Cu) / 380 (Al)
Nominal current (A)		285 (Cu) / 250 (Al)	380 (Cu) / 310 (Al)
Width / Height / Length (mm)		51 / 54 / 84	60 / 65 / 106
Screw, hexagonal key		No. 6	No. 8
Tightening torque (Nm)		14 Nm (25 - 50 mm ²) 30 Nm (70 - 150 mm ²) -	26 Nm (35 - 120 mm ²) 40 Nm (150 - 240 mm ²) -
Mounting		DIN rail, screw	DIN rail, screw
Weight (g)		170	340
Package (pcs)		● 10 / ● ● ● ● ● 5	● 6 / ● ● ● ● ● 3

Dimensions

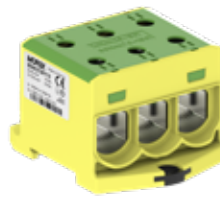




OTL 50-3



OTL 95-3



OTL 150-3



OTL 300-3

Grey	●	MAA3050A10	MAA3095A10	MAA3150A10	MAA3300A10
Blue	●	MAA3050B10	MAA3095B10	MAA3150B10	MAA3300B10
Yellow-green	●	MAA3050Y10	MAA3095Y10	MAA3150Y10	MAA3300Y10
Red	●	MAA3050R10	MAA3095R10	MAA3150R10	MAA3300R10
Black	●	MAA3050S10	MAA3095S10	MAA3150S10	MAA3300S10

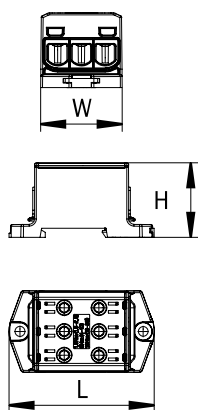
Technical data

Conductor cross-section Cu, Al (mm ²)		1.5 - 50	6 - 95	25 - 150	95 - 300
Nominal voltage AC / DC (V)		1000 / 1500	1000 / 1500	1000 / 1500	1000 / 1500
Nominal voltage AC / DC (V)		1000	1000	1000	1000
Nominal current (A)		320 (Cu) / 290 (Al)	490 (Cu) / 440 (Al)	640 (Cu) / 500 (Al)	630 (Cu) / 630 (Al)
Nominal current (A)		150 (Cu) / 120 (Al)	230 (Cu) / 180 (Al)	285 (Cu) / 250 (Al)	-
Width / Height / Length (mm)		46 / 41 / 80	59 / 51 / 84	71 / 54 / 84	101 / 78 / 120
Screw, hexagonal key		No. 5	No. 6	No. 6	No. 8
Tightening torque (Nm)		1,5 Nm (1,5 - 2,5 mm ²) 5 Nm (4 - 10 mm ²) 10 Nm (16 - 50 mm ²)	12 Nm (6 - 25 mm ²) 22 Nm (35 - 95 mm ²) -	14 Nm (25 - 50 mm ²) 30 Nm (70 - 150 mm ²) -	35 Nm (95 - 150 mm ²) 45 Nm (180 - 300 mm ²) -
Mounting		DIN rail, screw	DIN rail, screw	DIN rail, screw	DIN rail, screw
Weight (g)		109	178	246	730
Package (pcs)		20	6	6	1

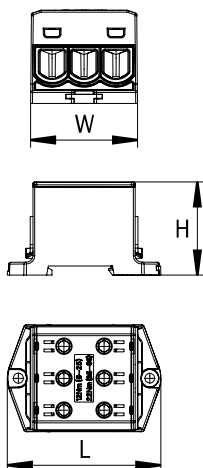
* Currents achievable by connecting multiple input cables.

Dimensions

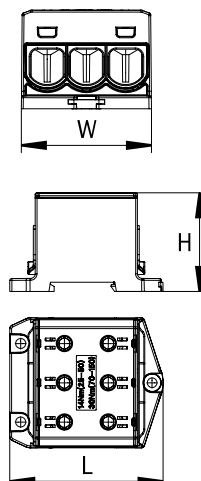
OTL 50-3



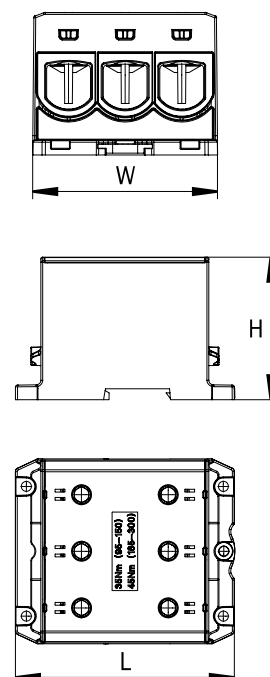
OTL 95-3

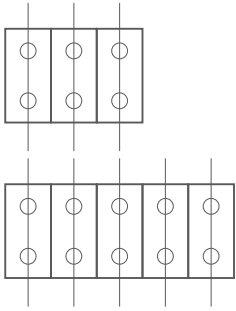


OTL 150-3



OTL 300-3





OTL 35-3X



OTL 50-3X



OTL 35-5X

Grey	●	MAA1335A10	MAA1350A10	-
Grey, Blue, Yellow-green	● ● ●	-	-	MAA5035A10
Yellow-green	●	-	-	-

Technical data

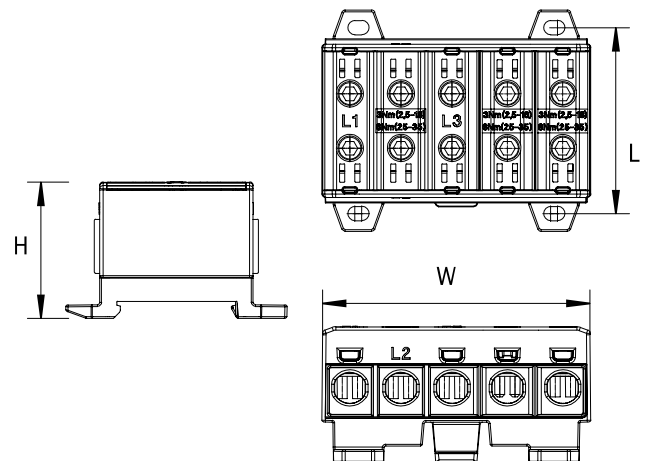
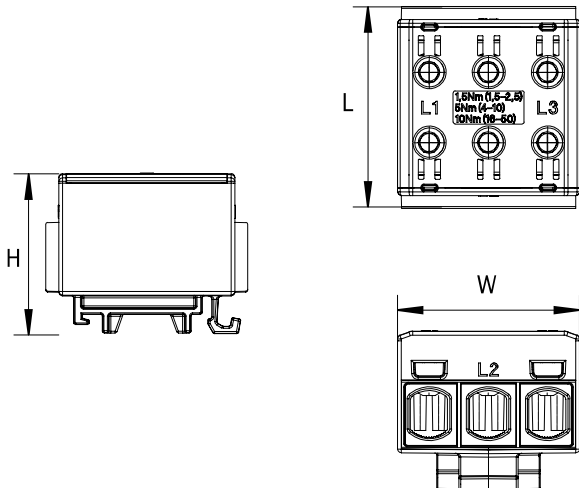
Conductor cross-section Cu, Al (mm ²)	2,5 - 35	1,5 - 50	2,5 - 35
Nominal voltage AC / DC (V)	1000 / 1500	1000 / 1500	1000 / 1500
Nominal voltage AC / DC (V)	1000	1000	1000
Nominal current (A)	3 x 135 (Cu) / 3 x 120 (Al)	3 x 160 (Cu) / 3 x 145 (Al)	5 x 135 (Cu) / 5 x 120 (Al)
Nominal current (A)	3 x 115 (Cu) / 3 x 90 (Al)	3 x 150 (Cu) / 3 x 120 (Al)	5 x 115 (Cu) / 5 x 90 (Al)
Width / Height / Length (mm)	46 / 40 / 46	49 / 43 / 49	79 / 40 / 65
Screw, hexagonal key	No. 4	No. 5	No. 4
Tightening torque (Nm)	3 Nm (2,5 - 16 mm ²) 6 Nm (25 - 35 mm ²)	1,5 Nm (1,5 - 2,5 mm ²) 5 Nm (4 - 10 mm ²) 10 Nm (16 - 50 mm ²)	3 Nm (2,5 - 16 mm ²) 6 Nm (25 - 35 mm ²)
Mounting	DIN rail	DIN rail	DIN rail, screw
Weight (g)	70	81	120
Package (pcs)	20	20	10

Dimensions

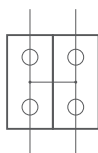
OTL 35-3X

OTL 50-3X

OTL 35-5X



The OTL-PEN universal series terminals are designed to create a point for dividing TN-C systems into TN-S.



OTL-PEN 50-2



OTL-PEN 95-2



OTL-PEN 150-2

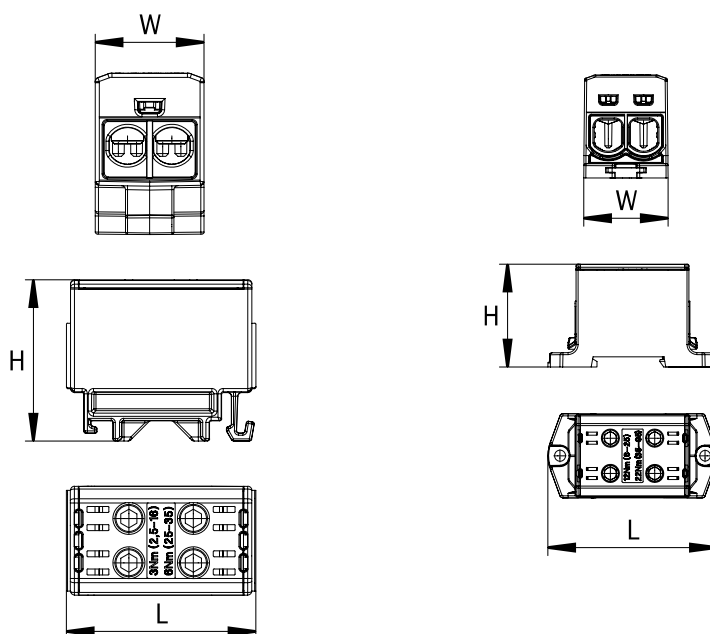


OTL-PEN 240-2

Yellow-green-blue		MAA2050P10	MAA2095P10	MAA2150P10	MAA2240P10
-------------------	--	------------	------------	------------	------------

Technical data					
Conductor cross-section Cu, Al (mm ²)		1,5 - 50	6 - 95	25 - 150	35 - 240
Nominal voltage AC / DC (V)		1000 / 1500	1000 / 1500	1000 / 1500	1000 / 1500
Nominal voltage AC / DC (V)		1000	1000	1000	1000
Nominal current (A)		320 (Cu) / 290 (Al)	245 (Cu) / 220 (Al)	320 (Cu) / 290 (Al)	425 (Cu) / 380 (Al)
Nominal current (A)		150 (Cu) / 120 (Al)	230 (Cu) / 180 (Al)	285 (Cu) / 250 (Al)	380 (Cu) / 310 (Al)
Width / Height / Length (mm)		30 / 43 / 49	42 / 51 / 84	51 / 54 / 84	60 / 65 / 106
Screw, hexagonal key		No. 5	No. 6	No. 6	No. 8
Tightening torque (Nm)		1,5 Nm (1,5 - 2,5 mm ²) 5 Nm (4 - 10 mm ²) 10 Nm (16 - 50 mm ²)	12 Nm (6 - 25 mm ²) 22 Nm (35 - 95 mm ²) -	14 Nm (25 - 50 mm ²) 30 Nm (70 - 150 mm ²) -	26 Nm (35 - 120 mm ²) 40 Nm (150 - 240 mm ²) -
Mounting		DIN rail	DIN rail, screw	DIN rail, screw	DIN rail, screw
Weight (g)		90	125	170	340
Package (pcs)		15	18	5	3

Dimensions



Protective plastic covers are accessories for universal terminals OTL used for blanking unused connection space or maintaining IP20 protection class with smaller wire cross-section. They are offered for OTL 50, OTL 95, OTL 150, 240 and OTL 300 series.



**Finger guard
OTL 50**

**Finger guard
OTL 95**

**Finger guard
OTL 150**

**Finger guard
OTL 240**

**Finger guard
OTL 300**

Grey	MAA0050A10	MAA0095A10	MAA0150A10	MAA0240A10	MAA0300A10
------	------------	------------	------------	------------	------------

Technical data

Width / Height / Length (mm)	14 / 31,5 / 10	18,3 / 45 / 10	22 / 47,5 / 10	28 / 57,5 / 10	32 / 57,5 / 10
Material	PA 66	PA 66	PA 66	PA 66	PA 66
Weight (g)	0,8	1,4	1,7	2,7	3,2
Package (pcs)	100	100	100	100	100

* Compatible with the new OTL terminals 1500 V DC

Contact grease SR-1

Contact grease SR-1 is a lubrication grease and rust inhibitor designed for electrical connectors. It can be used both indoors and outdoors.

Materials

- Lithium thickened grease, containing antioxidants and corrosion inhibitors

Warning: prolonged or repeated skin contact may irritate the skin and produce dermatitis.

Advantages

- Good protection against both copper and steel corrosion
- Prevention of oxidation of aluminium surfaces
- Reduction of transition resistance while used with wire brush

Standards

- DIN 51502 K2K-30
- ISO 6743 ISO-L-XCCHA2

Contact grease SR-1 250 ml



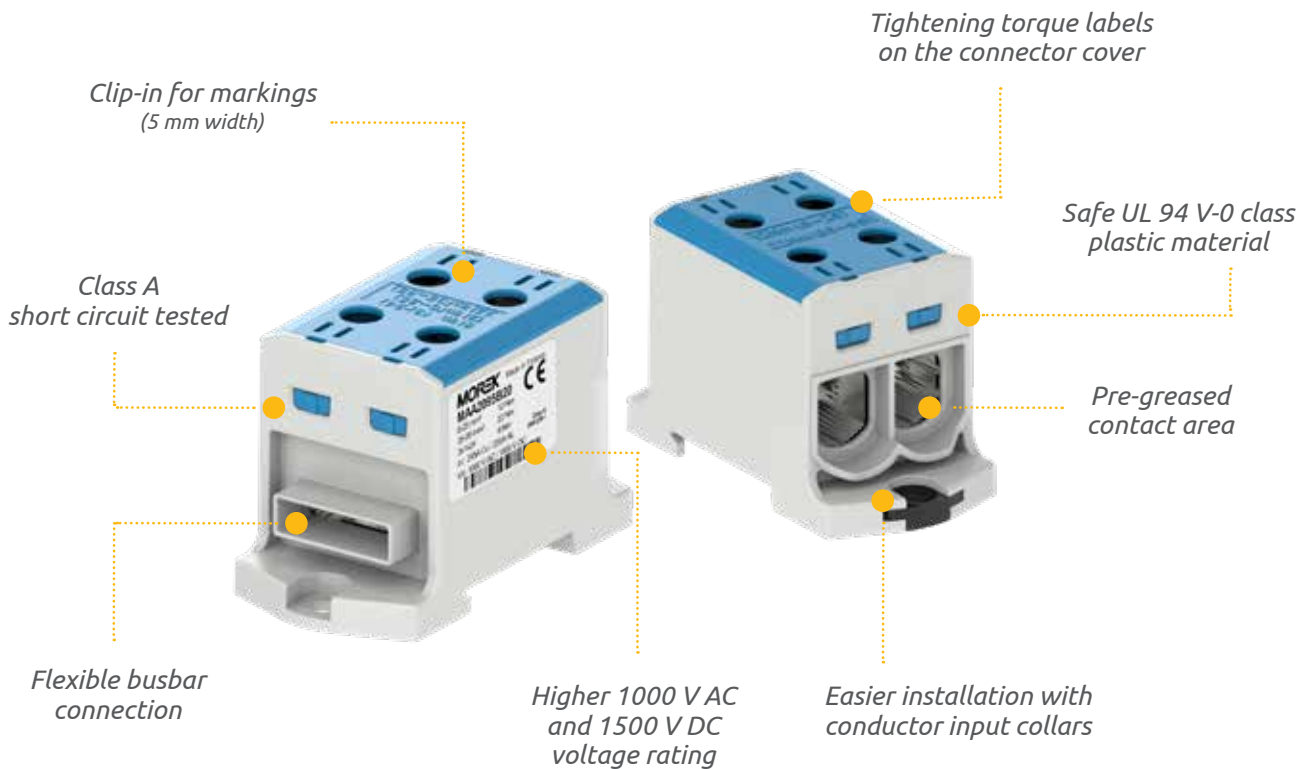
SR-1

Contact grease SR-1 250ml	MYA0001A10
---------------------------	------------

Technical data

Base oil viscosity / cSt at 40 °C	112
Base oil viscosity / cSt at 100 °C	10
Dropping point / °C	>180
Temperature range / °C	-30 to 110
Thickener	Lithium
SKF Emcor WWO distilled water / ISO 11007mod	0-0
Copper corrosion 24h / 100 °C / ASTM D4048	1b
Water resistance / DIN 51807 / 1	0-90
Oil separation 168h / 40 °C / IP121	6%

OTL terminals for flexible busbars are designed for connection of copper (bare or tinned) flexible busbars to copper or aluminium cable, with cable cross-sections of up to 300 mm² and flexible busbar dimensions of up to 6x1x40 mm. The terminals retain all the benefits of OTL terminals, including 1500V DC rating, UL94 V0 class plastic, Class A certification and many others!



Certification and product safety

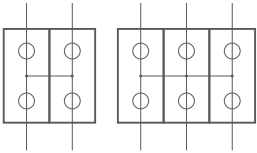
Universal terminals OTL undergo rigorous testing and certification to ensure compliance with industry standards. They are certified according to **EN 60947-7-1:2009** and **EN 61238-1:2003**, which establish requirements for terminal blocks and connectors for power cables.

EN 61238-1:2003 classifies connectors into two categories

Class A, which undergo heat cycle and short-circuit testing for electricity distribution and industrial networks.

Class B, which only undergo heat cycle testing and are suitable for networks with rapid overload or short-circuit protection.

Universal terminals OTL are certified as Class A connectors, making them suitable for most applications. When choosing a connector, it is essential to ensure it bears the CE marking and Class A certification symbol, such as the FI mark, for reliable and safe electrical connections.




OTL 95-2B



OTL 300-3B

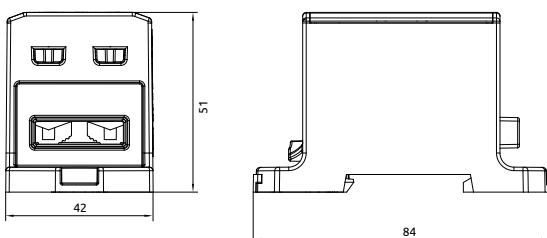
Grey	●	MAA2095A20	MAA3300A20
Blue	●	MAA2095B20	MAA3300B20
Yellow-green	●	MAA2095Y20	MAA3300Y20

Technical data

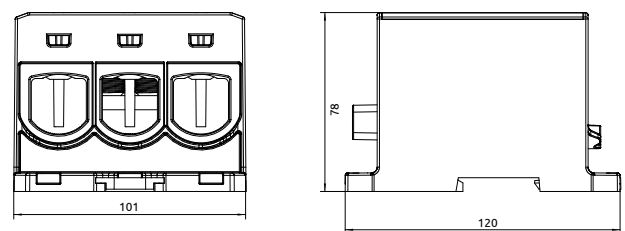
Conductor cross-section Cu, Al (mm ²)	6 - 95	95 - 300
Busbar cross-section, Cu (mm ²)	3x1x24	3x1x32 - 6x1x40
Nominal voltage AC / DC (V)	 1000 / 1500	1000 / 1500
Nominal current (A)	245 (Cu) / 220 (Al)	630 (Cu) / 630 (Al)
Width / Height / Length (mm)	42 / 51 / 84	101 / 78 / 120
Screw, hexagonal key	No. 6	No. 6, No. 8
Tightening torque (Nm)	12 Nm (6 - 25 mm ²) 22 Nm (35 - 95 mm ²) 8 Nm (3x1x24 mm)	35 Nm (95 - 150 mm ²) 45 Nm (180 - 300 mm ²) 15 Nm (3x1x32 - 6x1x40 mm)
Mounting	DIN rail, screw	DIN rail, screw
Weight (g)	125	499
Package (pcs)	15	1

Dimensions

OTL 95-2B



OTL 300-3B



Distribution blocks OJL

1000V AC
1500V DC

Bimetal
(Al/Cu)

Up to
425 A
240 mm²

Class A

Certified according to
standards EN 61238-1
and EN 60947-7-1



Distribution blocks OJL distribute larger cross-section conductors to smaller ones with various design options, including nominal connecting cross-sections of 6 mm² to 240 mm². They can be mounted on DIN rails or solid surfaces, offer a maximum operating temperature of 80 °C, and provide IP20 protection.



		OJL 80A	OJL 135A	OJL 200A	OJL 280A
Black / Grey		MAB1080S10	MAB1135S10	MAB1201S10	MAB1281S10
Blue / Grey		MAB1080B10	MAB1135B10	MAB1201B10	MAB1281B10
Green / Grey		MAB1080G10	MAB1135G10	MAB1201G10	MAB1281G10

Technical data

Conductor cross-section	
Input wire Al/Cu (mm ²)	2 x 2,5 - 16
Output wire Cu (mm ²)	6 x 2,5 - 6
Nominal voltage AC / DC (V)	1000 / 1500
Nominal current (A)	80 (Cu) / 75 (Al)
Width / Height / Length (mm)	23,6 / 40,6 / 52
Screw, hexagonal key	No. 2
Tightening torque (Nm)	1 Nm (2,5-6 mm ²) 6 Nm (2,5-16 mm ²)
Mounting	DIN rail
Weight (g)	75
Package (pcs)	33

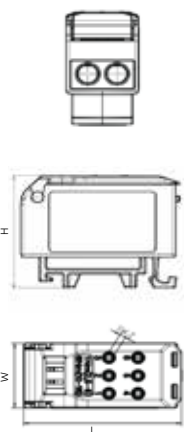
Input wire Al/Cu (mm ²)	1 x 2,5 - 35 1 x 2,5 - 10
Output wire Cu (mm ²)	4 x 2,5 - 16 2 x 2,5 - 10
Nominal voltage AC / DC (V)	1000
Nominal current (A)	135 (Cu) / 120 (Al)
Width / Height / Length (mm)	24,3 / 49 / 90
Screw, hexagonal key	No. 3 / 4
Tightening torque (Nm)	3 Nm (2,5 - 16 mm ²) 6 Nm (25 - 35 mm ²)
Mounting	DIN rail, screw
Weight (g)	75
Package (pcs)	20

Input wire Al/Cu (mm ²)	1 x 10 - 70
Output wire Cu (mm ²)	6 x 2,5 - 16
Nominal voltage AC / DC (V)	1000
Nominal current (A)	200 (Cu) / 160 (Al)
Width / Height / Length (mm)	32,4 / 46 / 75,8
Screw, hexagonal key	No. 3 / 5
Tightening torque (Nm)	3 Nm (2,5 - 16 mm ²) 6 Nm (25 - 35 mm ²) 10 Nm (50 - 70 mm ²) -
Mounting	DIN rail, screw
Weight (g)	84
Package (pcs)	24

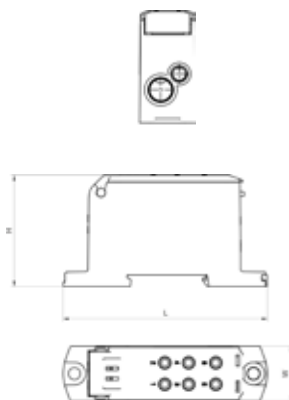
Input wire Al/Cu (mm ²)	1 x 35 - 120
Output wire Cu (mm ²)	4 x 2,5 - 10 5 x 2,5 - 16 2 x 6 - 35
Nominal voltage AC / DC (V)	1000
Nominal current (A)	280 (Cu) / 250 (Al)
Width / Height / Length (mm)	44,4 / 51 / 97
Screw, hexagonal key	No. 3 / 4 / 6
Tightening torque (Nm)	3 Nm (2,5 - 16 mm ²) 6 Nm (25 - 35 mm ²) 10 Nm (50 - 70 mm ²) 19 Nm (95 - 120 mm ²)
Mounting	DIN rail, screw
Weight (g)	178
Package (pcs)	12

Dimensions

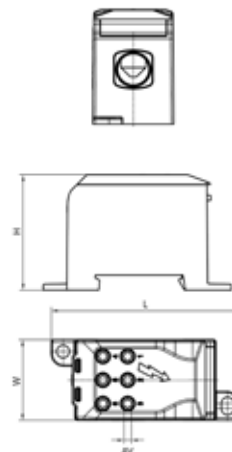
OJL 80A



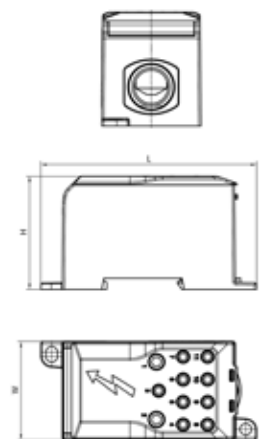
OJL 135A



OJL 200A



OJL 280A





OJL 400A

OJL 400AS*

OJL 400AF

OJL 400ASF*

Black / Grey		MAB1401S10	MAB1402S10	MAB1403S10	MAB1404S10
Blue / Grey		MAB1401B10	-	MAB1403B10	-
Green / Grey		MAB1401G10	-	MAB1403G10	-

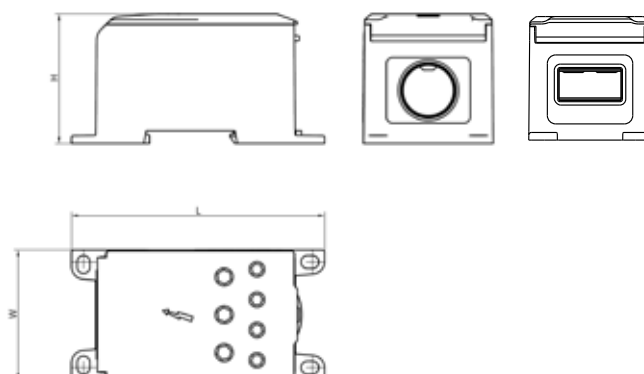
Technical data

Conductor cross-section	
Input wire Al/Cu (mm ²)	1 x 95 - 240
Output wire Cu (mm ²)	4 x 2,5 - 35 3 x 6 - 50
Nominal voltage AC / DC (V)	1000
Nominal current (A)	425 (Cu) / 380 (Al)
Width / Height / Length (mm)	51,4 / 51,2 / 100,3
Screw, hexagonal key	No. 4 / 5 / 8
Tightening torque (Nm)	6 Nm (2,5 - 35 mm ²) 10 Nm (6 - 50 mm ²) 19 Nm (95 - 240 mm ²)
Mounting	DIN rail, screw
Weight (g)	250
Package (pcs)	8

* Model can be sealed.

Dimensions

OJL 400A



OJL busbar adapters are used for connecting OJL connectors to copper or aluminium busbars. Materials: Tin plated copper



BA 200A



BA 280A



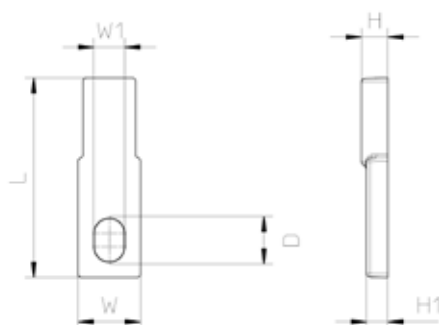
BA 400A

Grey	MAB1201EBA	MAB1281EBA	MAB1401EBA
------	------------	------------	------------

Technical data

D	9,8	13,8	13,8
H	5,95	7,25	9,75
H1	4,8	5	5,2
L	45	61	70
W	14	23	30
W1	6,8	10,8	10,8
Weight (g)	22	49	90
Package (pcs)	24	12	8

Dimensions



Distribution blocks Moblock

Up to

160 A

50 mm²

Insulation
between
phases

Certified according
to standards
EN 60947-1
EN 60947-7-1

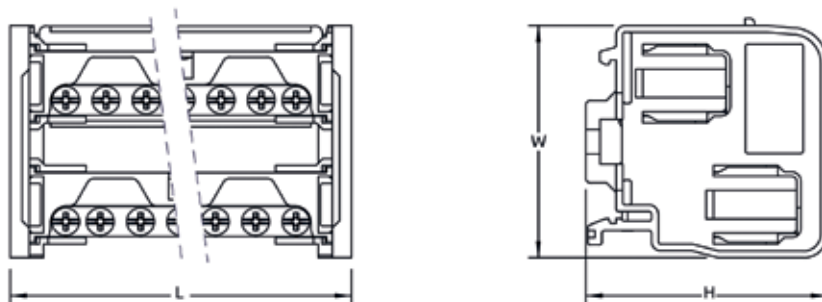


Moblock distribution blocks are available in two-pole (up to 35 mm² and 125A) and four-pole (up to 50 mm² and 160A) versions. They feature isolated brackets, a removable transparent cover, and convenient installation on DIN rails or panels. With brass conductive parts, galvanized steel connectors, and insulating barriers, these blocks ensure safe and efficient electrical connections.



Order code	Moblock 2P 100A-7	Moblock 2P 125A-11	Moblock 2P 125A-15
	MAB2100A18	MAB2125A18	MAB2126A18
Technical data			
Conductor cross section (per pole)			
Input wire Cu (mm ²)	2 x 10 - 25	2 x 10 - 35	2 x 10 - 35
Output wire Cu (mm ²)	5 x 1,5 - 6	7 x 1,5 - 6 / 2 x 10 - 25	11 x 1,5 - 6 / 2 x 10 - 25
Nominal voltage AC / DC (V)	1000	1000	1000
Nominal current (A)	100	125	125
Width / Height / Length (mm)	49 / 52 / 72	49 / 52 / 109	49 / 52 / 137
Short-circuit current peak I _{pk} (kA)	20	19	19
Short-time withstand current (kA/1s)	6	4,2	4,2
Rated surge voltage (kV)	8	8	8
Min. length of insulated wire (mm)	13	13	13
Tightening torque nominal / max. (Nm)	2 / 2,5	2 / 2,5	2 / 2,5
Mounting	DIN rail, screw	DIN rail, screw	DIN rail, screw
Weight (g)	107	152	197
Package (pcs)	4	2	2

Dimensions



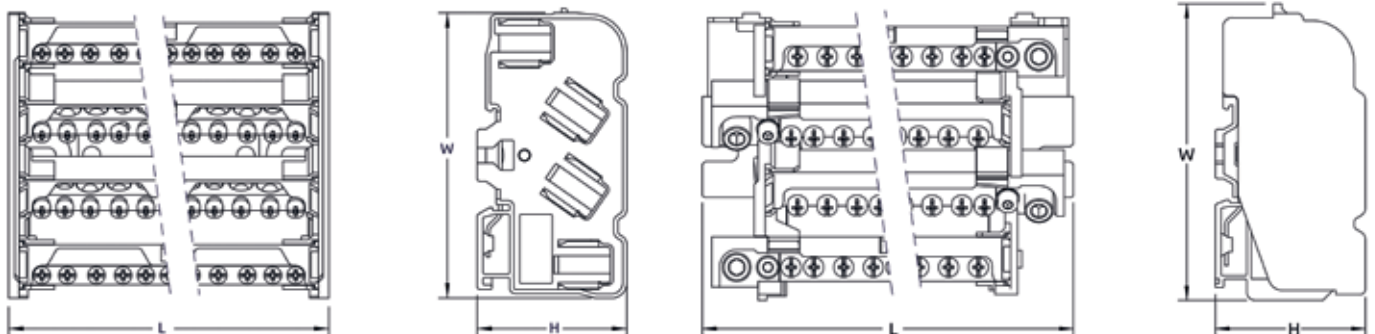


Order code	Moblock 4P 100A-7	Moblock 4P 125A-11	Moblock 4P 125A-15	Moblock 4P 160A-9	Moblock 4P 160A-14
	MAB4100A18	MAB4125A18	MAB4126A18	MAB4160A18	MAB4161A18

Technical data

Conductor cross section (per pole)					
Input wire Cu (mm ²)	2 x 10 - 25	2 x 10 - 35	2 x 10 - 35	1 x 10 - 50	1 x 10 - 50
Output wire Cu (mm ²)	5 x 1,5 - 6	7 x 1,5 - 6 / 2 x 10 - 25	11 x 1,5 - 6 / 2 x 10 - 25	6 x 1,5 - 16 / 2 x 10 - 35	9 x 1,5 - 16 / 4 x 10 - 35
Nominal voltage AC / DC (V)	500	500	500	500	500
Nominal current (A)	100	125	125	160	160
Width / Height / Length (mm)	97 / 52 / 71	97 / 52 / 108	97 / 52 / 137	99 / 54 / 131	99 / 54 / 181
Short-circuit current peak I _{pk} (kA)	20	19	19	28	28
Short-time withstand current (kA/1s)	6	4,2	4,2	6	6
Rated surge voltage (kV)	8	8	8	8	8
Min. length of insulated wire (mm)	13	13	13	13	13
Tightening torque nominal / max. (Nm)	2 / 2,5	2 / 2,5	2 / 2,5	2 / 2,5 (input wire 10 Nm)	2,5 (input wire 10 Nm)
Mounting	DIN rail, screw	DIN rail, screw	DIN rail, screw	DIN rail, screw	DIN rail, screw
Weight (g)	210	300	386	504	696
Package (pcs)	2	1	1	1	1

Dimensions



OT-PEN connectors simplify the conversion of TN-C (PEN) systems to TN-S (PE+N) systems by allowing the removal of the connecting bridge between the terminals. Suitable for both copper and aluminium conductors, these connectors feature extra measuring terminals and can be directly screw-mounted to the cabinet's backplate.



OT-PEN 50

OT-PEN 95

OT-PEN 120

OT-PEN 150

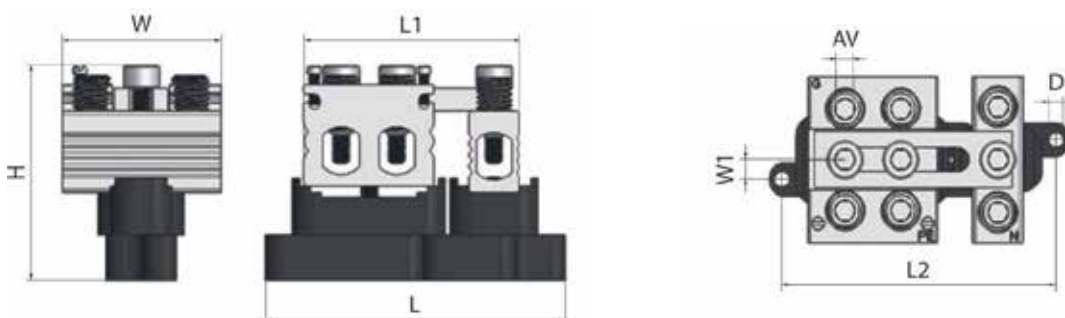
OT-PEN 240

	MAB3050S10	MAB3095S10	MAB3120S10	MAB3150S10	MAB3240S10
--	------------	------------	------------	------------	------------

Technical data

Conductor cross-section Cu, Al (mm ²)	1,5 - 50	6 - 95	16 - 120	25 - 150	35 - 240
Nominal voltage (V)	690	690	690	690	690
Width / Height / Length (mm)	44 / 57 / 83	64 / 80 / 83	64 / 87 / 120	64 / 91 / 120	64 / 101,6 / 134,90
Dimensions L1 / L2 / W1 / AV / D (mm)	60 / 76 / 5,25 / 5 / 4	63,5 / 76 / 5,25 / 6 / 4	81,5 / 104 / 21 / 6 / 6	82 / 104 / 21 / 6 / 6	104,5 / 119 / 21 / 8 / 6
Screw, hexagonal key	No. 5	No. 6	No. 6	No. 6	No. 8
Tightening torque (Nm)	1,5 Nm (1,5 - 2,5 mm ²) 5 Nm (4 - 16 mm ²) 10 Nm (25 - 50 mm ²)	5 Nm (6 - 16 mm ²) 22 Nm (25 - 95 mm ²)	5 Nm (16 mm ²) 26 Nm (25 - 120 mm ²)	14 Nm (25 - 50 mm ²) 30 Nm (70 - 150 mm ²)	26 Nm (35 - 120 mm ²) 40 Nm (150 - 240 mm ²)
Mounting	Screw	Screw	Screw	Screw	Screw
Weight (g)	174	356	573	605	813
Package (pcs)	9	9	5	5	5

Dimensions



OL-PEN connectors enable the simple conversion of TN-C (PEN) systems to TN-S (PE+N) by removing the connecting bridge between the terminals. These connectors are suitable for use with both copper and aluminium conductors and can be directly screw-mounted to the cabinet's backplate.



OL-PEN 95

OL-PEN 185

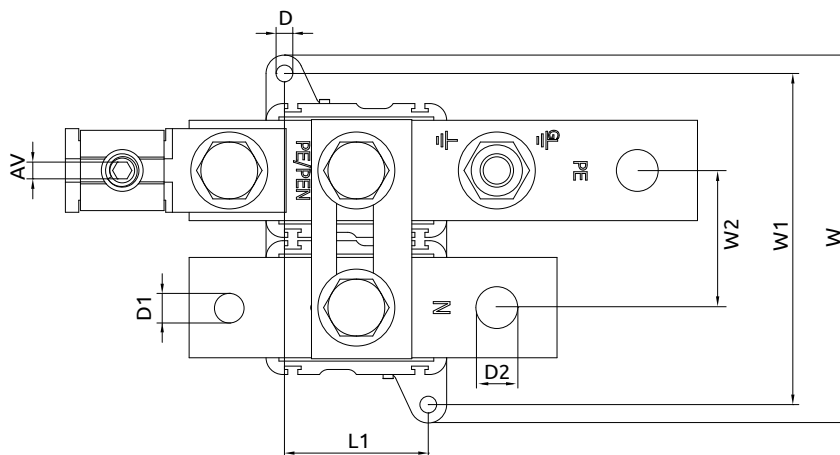
OL-PEN 300

OL-PEN 240-2

	MAJ4095S10	MAJ4185S10	MAJ4300S10	MAJ5240S10
--	------------	------------	------------	------------

Technical data				
Conductor cross-section Cu, Al (mm ²)	25 - 95	95 - 185	185 - 300	2x 95 - 240
Nominal voltage (V)	690	690	690	690
Width / Height / Length (mm)	94 / 55 / 144	110 / 70 / 187,5	128,5 / 70 / 220	110 / 86 / 193
Dimensions L1 / W1 / W2 / D / D1 / D2 (mm)	50 / 84 / 34 / 5 / 8,5 / 8,5	43 / 99 / 41 / 5 / 8,5 / 12,5	52 / 117,5 / 50,5 / 5 / 10 / 12,5	43 / 99 / 41 / 5 / 8,5 / 12,5
Screw, hexagonal key (AV)	No. 4	No. 5	No. 6	No. 6
Tightening torque (Nm)	20	30	70	70
Mounting	Screw	Screw	Screw	Screw
Weight (g)	392	882	1248	1074
Package (pcs)	1	1	1	1

Dimensions



Device connectors SR

**Direct
connection**
to the device

Bimetal
(Al/Cu)

Class A

Certified according to
standards EN 61238-1
and EN 60947-7-1



Device connectors SR are designed to reduce of connection cross-sections Cu and Al conductors for circuit breakers, controls and other devices. According to the Dimensions of the connection openings and equipment supply wire gauge can choose the appropriate corresponding reduction clamp. The clamp and the tightening screw are made of tin and aluminium insulating part is of fire-retardant polyamide.

Device connectors SR are designed to connect aluminium and copper cables directly to the device. The material of the body and tightening screws is aluminium with tin plating. Plastic cover is made of self-extinguishing polyamide. IP protection class for SR terminals is IP20.



	SR 50	SR 50M	SR 2x50RB	SR 95	SR 95M
Left handed	MAC1055A10	MAC1053A10	-	MAC9506A10	MAC9508A10
Standard	MAC1050A10	MAC1051A10	MAC2050A10	MAC9500A10	MAC9501A10
Right handed	MAC1054A10	MAC1052A10	-	MAC9507A10	MAC9509A10

Technical data

Conductor cross-section Cu, Al (mm ²)	6 - 50	6 - 50	2 x 6 - 50	16 - 95	16 - 95
Measurement wire	-	2,5	-	-	2,5
Nominal voltage AC / DC (V)	690	690	690	690	690
Nominal current Cu / Al (A)	160 / 100	160 / 100	320 / 250	230 / 180	230 / 180
Width / Height / Length (mm)	17 / 32 / 49,8	17 / 32 / 49,8	22,4 / 41,2 / 71,8	23,4 / 51 / 67,8	23,4 / 51 / 67,8
Dimensions L1 / H1 / H2 / W1 (mm)	14,6 / 5 / 10 / 6	14,6 / 5 / 10 / 6	27,3 / 11,4 / 10,3 / 11,8	26,6 / 9 / 3,5 / 10	26,6 / 9 / 3,5 / 10
Screw, hexagonal key	No. 5	No. 5	No. 5	No. 6	No. 6
Tightening torque (Nm)	6 Nm (6 - 10 mm ²) 10 Nm (16 - 50 mm ²)	6 Nm (6 - 10 mm ²) 10 Nm (16 - 50 mm ²)	6 Nm (6 - 10 mm ²) 10 Nm (16 - 50 mm ²)	12 Nm (16 - 50 mm ²) 20 Nm (70 - 95 mm ²)	12 Nm (16 - 50 mm ²) 20 Nm (70 - 95 mm ²)
Weight (g)	22,8	23,2	26,2	56	56
Package (pcs)	50	50	30	30	30

Model specification (marking) M - model has connector for measurement | RB - rounded busbar

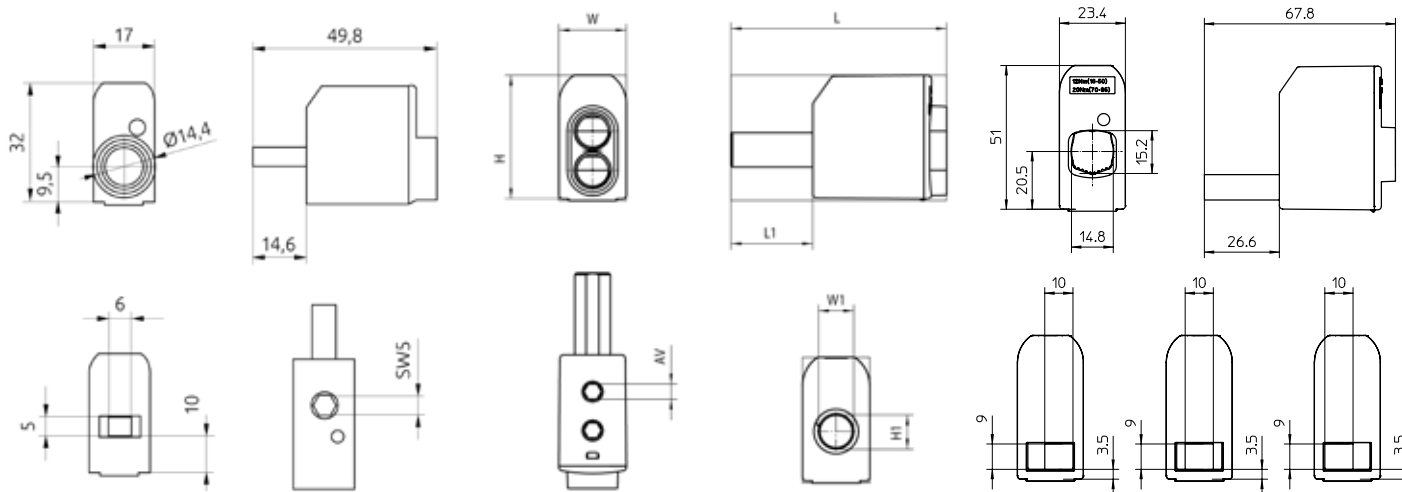


Dimensions

SR 50(M)

SR 2x50RB

SR 95(M)





SR 95SB

SR 95SBM



SR 95RB

SR 95RBM

Left handed	-	-	MAC9510A10	MAC9513A10
Standard	MAC9505A10	MAC9503A10	MAC9504A10	MAC9502A10
Right handed	-	-	MAC9511A10	MAC9512A10

Technical data

Conductor cross-section Cu, Al (mm ²)	16 - 95	16 - 95	16 - 95	16 - 95
Measurement wire	-	2,5	-	2,5
Nominal voltage AC / DC (V)	690	690	690	690
Nominal current Cu / Al (A)	230 / 180	230 / 180	230 / 180	230 / 180
Width / Height / Length (mm)	23,4 / 51 / 67,8	23,4 / 51 / 67,8	23,4 / 51 / 67,8	23,4 / 51 / 67,8
Dimensions L1 / H1 / H2 / W1 (mm)	26,6 / 9 / 3,5 / 16	26,6 / 9 / 3,5 / 16	16,6 / 9 / 3,5 / 10	16,6 / 9 / 3,5 / 10
Screw, hexagonal key	No. 6	No. 6	No. 6	No. 6
Tightening torque (Nm)	12 Nm (16 - 50 mm ²) 20 Nm (70 - 95 mm ²)	12 Nm (16 - 50 mm ²) 20 Nm (70 - 95 mm ²)	12 Nm (16 - 50 mm ²) 20 Nm (70 - 95 mm ²)	12 Nm (16 - 50 mm ²) 20 Nm (70 - 95 mm ²)
Weight (g)	58	58	56 / 58	56 / 58
Package (pcs)	30	30	30	30

Model specification (marking) **M** - model has connector for measurement | **RB** - rounded busbar

SR 95RB(M)



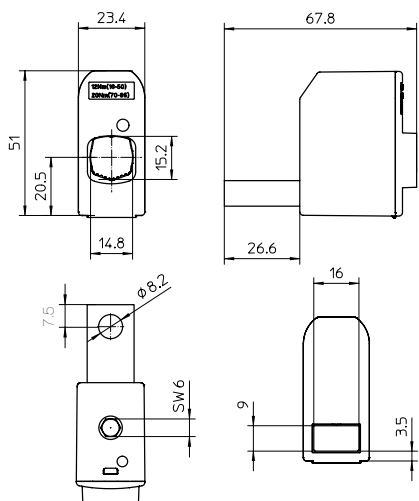
Right-handed

Standard

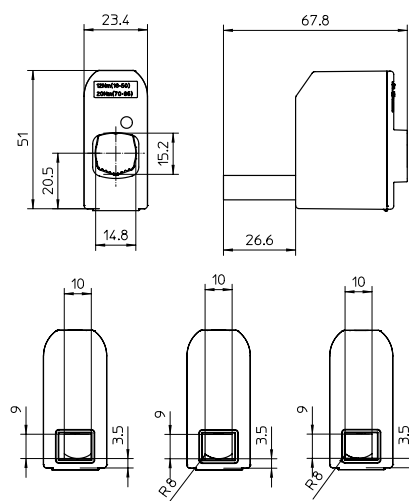
Left-handed

Dimensions

SR 95SB(M)



SR 95RB(M)



Heavy duty connectors OL

Up to

800 A

2x300 mm²

Bimetal

(Al/Cu)

Made of

**stainless
steel**

– suitable for harsh
environments



OL heavy-duty connectors are designed for connecting copper and aluminium conductors ranging from 6 to 2 x 300 mm². With parts made of stainless steel, copper, and steel, these connectors are robust and reliable. They allow for easy clamping of stranded conductors without the need for modifying wire ends, and installation can be done without special tools.



	MAJ1070E10	MAJ1071E10	MAJ1072E10	MAJ1095E10	MAJ1096E10	MAJ1150E10
--	------------	------------	------------	------------	------------	------------

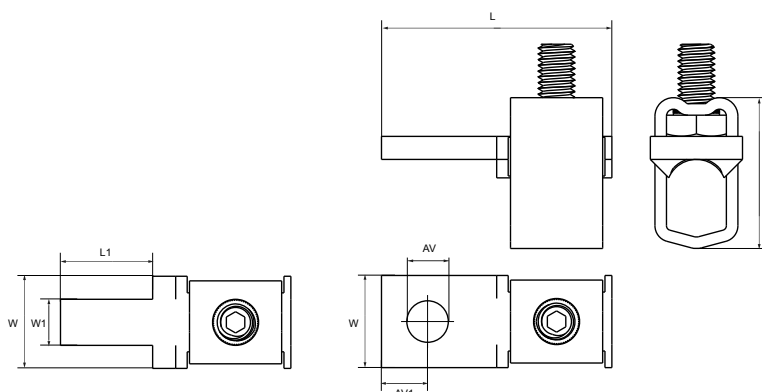
Technical data						
Conductor cross-section Cu, Al (mm ²)	6 - 70	6 - 70	6 - 70	25 - 95	25 - 95	25 - 150
Nominal voltage (V)	690	690	690	690	690	690
Nominal current Cu / Al (A)	270 / 270	270 / 270	270 / 270	320 / 320	320 / 320	285 / 230
Width / Height / Length W1 / L1 (mm)	16,2 / 30 / 37	16,2 / 23 / 37	16,2 / 30 / 38 10 / 17	18 / 33 / 50 / 10 / 17	18 / 33 / 50 10 / 20	23 / 38 / 60
Diameter of the hole (mm) AV / AV1	7 / 7,5	7 / 7,5	-	9 / 10	-	11 / 13,5
Screw, hexagonal key	No. 4	No. 4	No. 4	No. 4	No. 4	No. 4
Tightening torque (Nm)	5,6	5,6	5,6	20	20	30
Weight (g)	44	36	44	76	69	130
Package (pcs)	30	30	30	15	15	15



	MAJ1185E10	MAJ1240E10	MAJ1300E10	MAJ2150E10	MAJ2240E10	MAJ2300E10
--	------------	------------	------------	------------	------------	------------

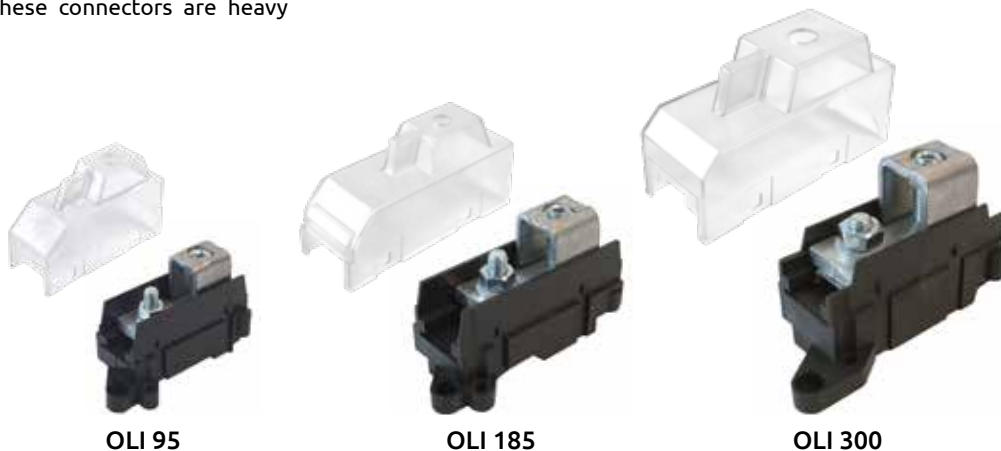
Technical data						
Conductor cross-section Cu, Al (mm ²)	95 - 185	95 - 240	185 - 300	2 x 50 - 150	2 x 95 - 240	2 x 185 - 300
Nominal voltage (V)	690	690	690	690	690	690
Nominal current Cu / Al (A)	400 / 400	400 / 400	560 / 560	579 / 455	806 / 631	800 / 800
Width / Height / Length	24 / 40 / 66	26,3 / 40 / 61	32 / 52 / 76	25 / 64 / 59	30 / 78 / 60	38 / 91 / 85
Diameter of the hole (mm) AV / AV1	11 / 12	11 / 12	13 / 17	11 / 12	11 / 13	13 / 20
Screw, hexagonal key	No. 5	No. 5	No. 5	No. 5	No. 6	No. 6
Tightening torque (Nm)	40	40	70	40	70	70
Weight (g)	142	140	287	240	345	544
Package (pcs)	15	15	3	3	3	3

Dimensions



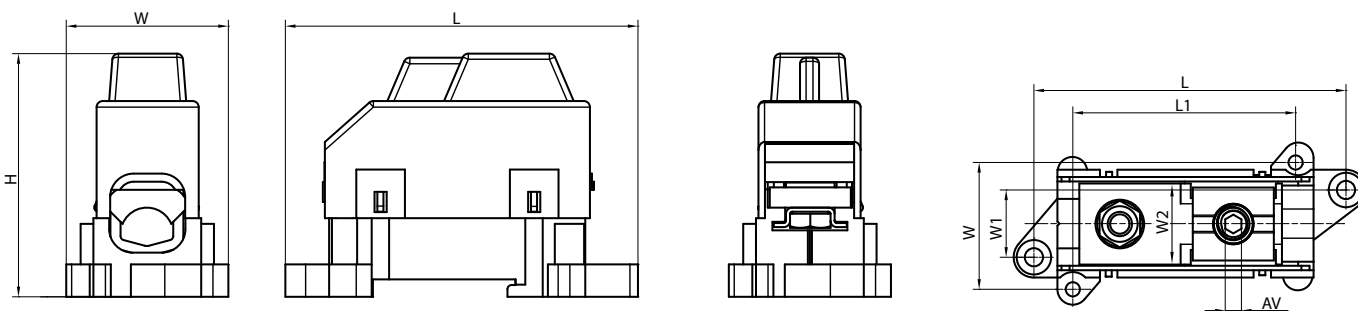
Insulated universal connectors OLI are intended for connecting copper and aluminium conductors in nominal cross-section from 25 to 300 mm². Connectors are designed for connecting copper or aluminium cables with flexible busbars or with cables with lug. Individual parts are made of stainless steel (clamp), copper (bridge), steel (screw) and plastic (housing). These connectors are heavy

duty. Clamping them with stranded conductors does not require modification of wire ends (clamping surface of terminal, not flat screw spot). IP protection class for OLI terminals is IP20.



	MAJ1095S10	MAJ1185S10	MAJ1300S10
Technical data			
Conductor cross-section Cu / Al (mm ²)	25 - 95	95 - 185	185 - 300
Nominal voltage (V)	690	690	690
Nominal current (A)	320	400	560
Width / Height / Length (mm) L1 / W1 / W2	40 / 60 / 87 55 / 16,6 / 20	49 / 67 / 113 76,9 / 21,4 / 25	57 / 88 / 143 86,5 / 25 / 32
Screw, hexagonal key (AV)	SW 4	SW 5	SW 6
Tightening torque (Nm)	20	40	70
Mounting	Screw	Screw	Screw
Weight (g)	119	237	444
Package (pcs)	12	10	8

Dimensions



OT universal connectors join copper and aluminium conductors to the busbar, accommodating one or two conductors. Made with a special aluminium alloy, the clamp body and screws are galvanized, with contact surfaces coated for conductivity and grooves to prevent wire loosening.



OT 50



OT 95



OT 120

	MAC1050E10	MAC1095E10	MAC1120E10
Technical data			
Conductor cross-section Cu, Al (mm ²)	1,5 - 50	6 - 95	16 - 120
Nominal voltage (V)	690	690	690
Nominal current Cu / Al (A)	160 / 145	245 / 220	280 / 230
Width / Height / Length (mm)	14 / 21,5 / 35	20 / 30 / 46	25 / 35 / 64
Diameter of the hole (mm) AV / AV1	8,5 / 10,5	10,5 / 13	12,5 / 17
Screw, hexagonal key	No. 5	No. 6	No. 6
Tightening torque (Nm)	3,5 Nm (1,5 - 10 mm ²) 12 Nm (16 - 50 mm ²)	12 Nm (16 - 35 mm ²) 22 Nm (50 - 95 mm ²)	12 Nm (6 - 35 mm ²) 25 Nm (50 - 120 mm ²)
Weight (g)	10	22	50
Package (pcs)	30	30	30



OT 150



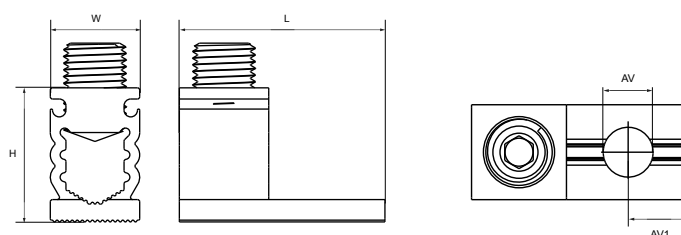
OT 240



OT 300

	MAC1150E10	MAC1240E10	MAC1300E10
Technical data			
Conductor cross-section Cu, Al (mm ²)	25 - 150	35 - 240	95 - 300
Nominal voltage (V)	690	690	690
Nominal current Cu / Al (A)	320 / 290	425 / 380	490 / 420
Width / Height / Length (mm)	26 / 39 / 62	32 / 44 / 74	40 / 48 / 64
Diameter of the hole (mm) AV / AV1	12,5 / 15	12,5 / 15	12,5 / 18
Screw, hexagonal key	No. 6	No. 8	No. 8
Tightening torque (Nm)	14 Nm (25 - 150 mm ²) 30 Nm (70 - 150 mm ²)	26 Nm (35 - 120 mm ²) 40 Nm (150 - 240 mm ²)	33 Nm (95 - 185 mm ²) 60 Nm (240 - 300 mm ²)
Weight (g)	58	115	134
Package (pcs)	20	10	10

Dimensions



Universal connectors OTH

Bimetal

(Al/Cu)

Up to

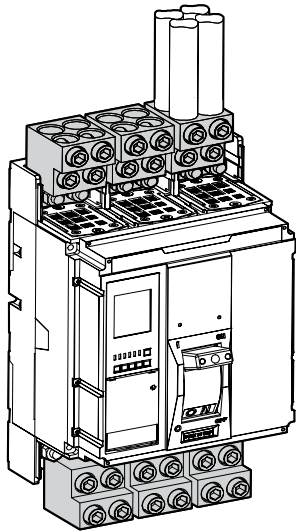
3x300 mm²



OTH universal connectors directly connect copper and aluminium wires to switchgear devices, allowing for the connection of two, three, or four wires up to 300 mm² without cable lugs. Their compact and economical design features easy installation and a small size.



OTH 240-4

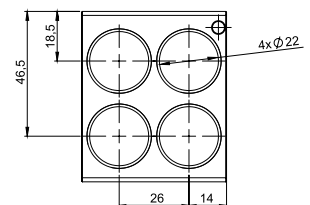
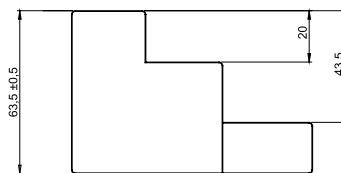
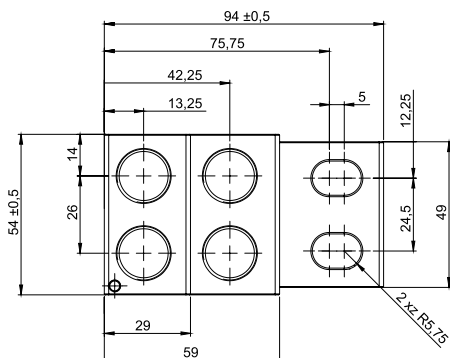


	MAC4240A15
Technical data	
Conductor cross-section Cu, Al (mm ²)	4 x 50 - 240 + 1 x 1,5 - 4
Nominal voltage (V)	1000
Nominal current (A)	1600
Width / Height / Length (mm)	54 / 63,5 / 94
Number of mounting holes	2
Diameter connecting hole (mm)	11,5
Screw, hexagonal key	No. 10
The length of the uninsulated conductor (mm)	25 / 55
Tightening torque (Nm)	45
Weight (g)	410
Package (pcs)	2

Compatibility

ABB Emax E 1.2 F up to 1600A, Tmax T7 F up to 1600A	Yes
ABB Tmax T6 F up to 1000A, Tmax T5 (XT5) up to 630A	No
Schneider NS630b up to 1600A	Yes
Schneider NSX400-630	No
Eaton NZML4-VE1250, NZM4-XKA up to 1250	Yes
Eaton NZMS2-4-VE250, NZMH3-4-VE630	No
Siemens 3VA66 1000A, 3VA271 1250-1600A	Yes
Siemens 3VA5 630A	No
LS TS630, TS800	No
Chint NM8N-1600A	Yes
Chint NM8N up to 630A	No

Dimensions





OTH 300-2



OTH 300-3



OTH 301-3

	MAC2300A14	MAC3300A14	MAC3301A14
--	------------	------------	------------

Technical data

Conductor cross-section Cu, Al (mm ²)	2 x 70 – 300 + 1 x 1,5 – 4	3 x 70 – 300 + 1 x 1,5 – 4	3 x 70 - 300 + 1 x 1,5 - 4
Nominal voltage (V)	1000	1000	1000
Nominal current (A)	800	1250	1250
Width / Height / Length (mm)	30 / 63,5 / 94	54 / 63,5 / 94	54 / 63,5 / 94
Number of mounting holes	1	2	1
Diameter connecting hole (mm)	12,5	11,5	11,5
Screw, hexagonal key	No. 10	No. 10	No. 10
The length of the uninsulated conductor (mm)	27 / 56	27 / 56	27 / 56
Tightening torque (Nm)	45	45	45
Weight (g)	213	406	410
Package (pcs)	3	2	2

Compatibility

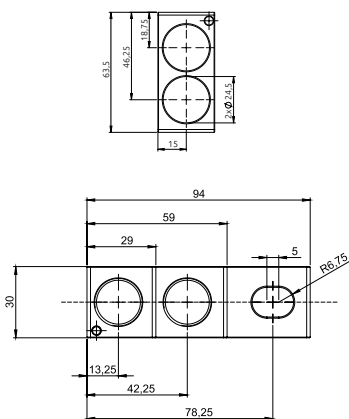
ABB Emax E 1.2 F up to 1600A, Tmax T7 F up to 1600A	No	Yes	* Please contact the sales manager for more information.
ABB Tmax T6 F up to 1000A, Tmax T5 (XT5) up to 630A	Yes	No	
Schneider NS630b up to 1600A	No	Yes	
Schneider NSX400-630	Yes	No	
Eaton NZML4-VE1250, NZM4-XKA up to 1250	No	Yes	
Eaton NZMS2-4-VE250, NZMH3-4-VE630	Yes	No	
Siemens 3VA66 1000A, 3VA271 1250-1600A	No	Yes	
Siemens 3VA5 630A	Yes	No	
LS TS630, TS800	Yes	No	
Chint NM8N-1600A	No	Yes	
Chint NM8N up to 630A	Yes	No	

Contact us if you have further questions about compatibility!

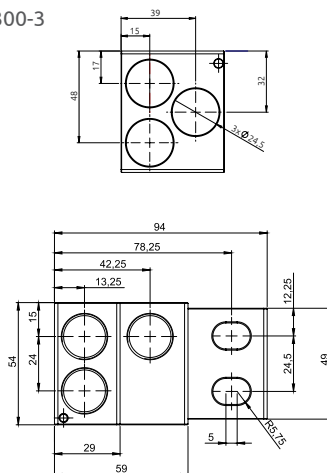
NB! In order to use 300 mm² cables with OTH300 connectors, you need to use shorter screws. Please notify us about it during the purchase and we will supply the screws with your order.

Dimensions

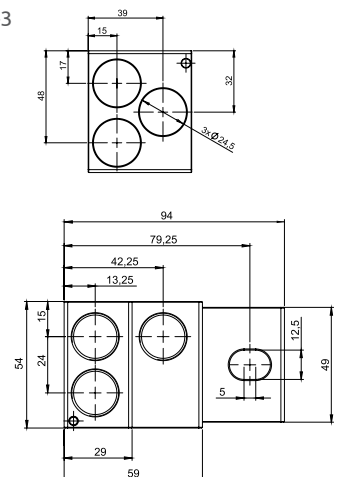
OTH 300-2



OTH 300-3



OTH 301-3

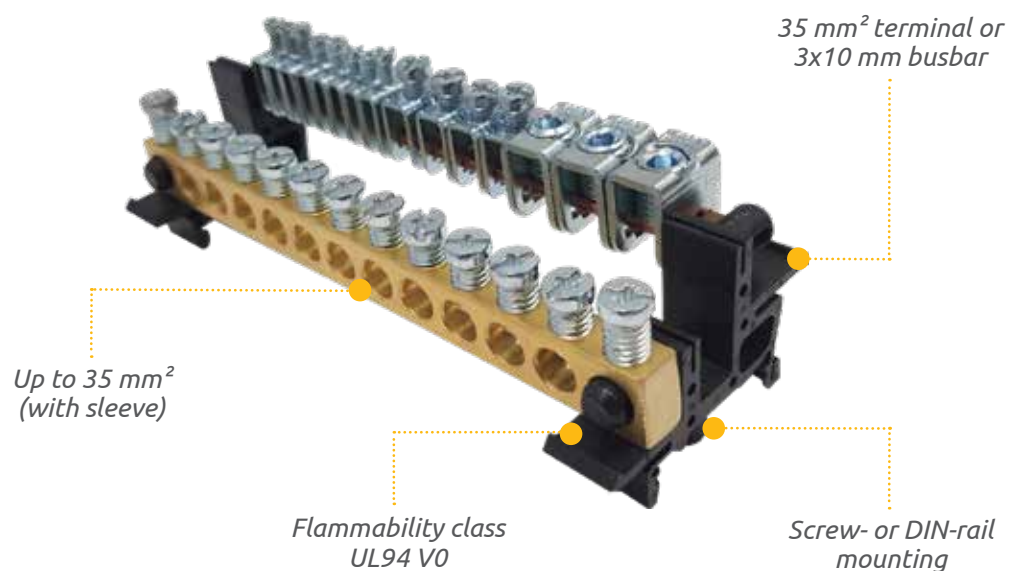


Terminals BB

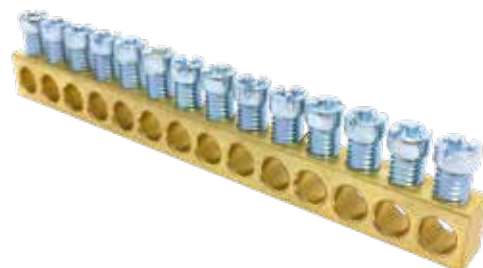
Customized terminal solutions

Up to **35 mm²**

Mounting on DIN rail



The BB-series terminals offer flexible connections in projects, with adjustable terminal bars that can be cut to size and mounted using special holders. Made with brass conductive parts and Zn galvanized steel connectors, these terminals are available in various sizes, accommodating cross-sections of up to 35 mm² for versatile applications.



Order code	Type	Number of connections	Conductor cross section Cu (mm ²)	Nominal current (A)	Dimensions (mm) W / H / L	Weight (g)	Compatible with	Package (pcs)
MAD0007E21	BB7	7	1,5 - 16	63	6,5 / 9 / 47	22	BB3	100
MAD0009E21	BB9	9	1,5 - 16	63	6,5 / 9 / 61	28	BB3	70
MAD0014E21	BB14	14	1,5 - 16	63	6,5 / 9 / 94	42	BB3	50
MAD0024E21	BB24	24	1,5 - 16	63	6,5 / 9 / 160	72	BB3	30
MAD0032E21	BB32	32	1,5 - 16	63	6,5 / 9 / 213	96	BB3	20
MAD0042E21	BB42	42	1,5 - 16	63	6,5 / 9 / 279	123	BB3	20
MAD0052E21	BB52	52	1,5 - 16	63	6,5 / 9 / 345	152	BB3	20
MAD0147E21	BB147	147	1,5 - 16	63	6,5 / 9 / 972	436	BB3	30
MAD0142E21	BB142-10	142	1,5 - 16	63	8 / 10 / 1000	553	BB3	25
MAD0111E21	BB111	111	1,5 - 25	100	10 / 10 / 998	625	BB3	25
MAD0083E21	BB83	83	1,5 - 35	160	10 / 15 / 995	1088	BB4	15

Terminal BB holders

Plastic holders BB3 and BB4 are designed for mounting two electrical parts (BB terminals or 3x10 mm busbars) on a DIN rail and offers flexibility in creating a wide range of dimensions. The holders are made of black polyamide.



BB3



BB4

Order code	Type	Color	Dimensions W/H/L (mm)	Weight (g)	Compatible with terminal	Package (pcs)
MAD2003A21	BB3	Black ●	12 / 41,5 / 56	8	BB147, BB142-10 a BB111	50
MAD2004B21	BB4	Black ●	15 / 41,5 / 60	10	BB83	50

MPIN terminals: space-saving solution for adding connection points to RCD's neutral output without a separate neutral bar. Models for 3x16 mm² or 6x16 mm² conductors. Adapters for larger wires with compatible terminal blocks BB111, BB147 (MAD1235E21), and BB142-10 (MAD2235E21).



MPIN 3



MPIN 6



35 mm²



35 mm² HEX

	MAD3016E21	MAD6016E21	MAD1235E21	MAD2235E21
--	------------	------------	------------	------------

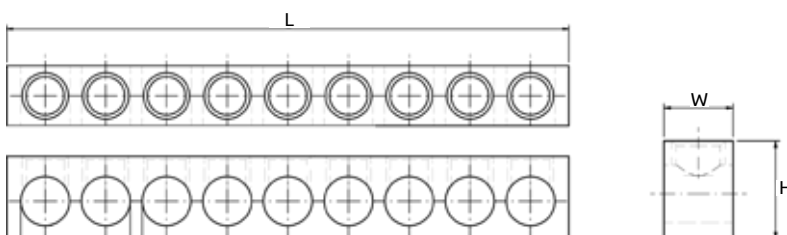
Technical data

Conductor cross section Cu (mm ²)	1,5 – 16	1,5 – 16	1,5 - 35	1,5 - 35
Nominal voltage (V)	690	690	690	690
Nominal current (A)	63	63	63	63
The number of connection points	3x16 mm ²	6x16 mm ²	1x 1,5 - 35	2x 1,5 - 35
Width / Height / Length (mm)	8 / 16 / 35	16 / 16 / 33	13 / 12 / 27	14 / 21 / 26
Tightening torque (Nm)	2,5	2,5	2,5	4
Weight (g)	10	18	11	23
Package (pcs)	200	100	100	100

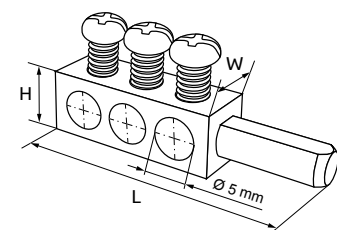


Dimensions

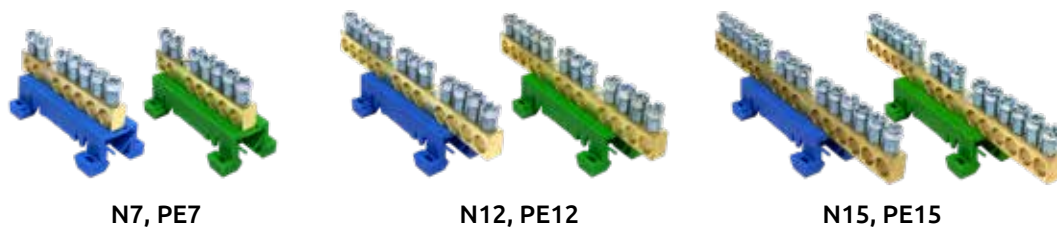
Terminals BB



Terminals MPIN



DIN rail mountable bridges made of fire-retardant material. IP00 rated for installation under cover. Available in two color variations.



Blue	●	MAD0007N15	MAD0012N15	MAD0015N15
Green	●	MAD0007G15	MAD0012G15	MAD0015G15

Technical data				
Conductor cross section Cu (mm ²)	1,5 - 16	1,5 - 16	1,5 - 16	1,5 - 16
Nominal voltage (V)	690	690	690	690
Nominal current (A)	63	63	63	63
The number of connection points	7	12	15	
Tightening torque (Nm)	2,5	2,5	2,5	
Width / Height / Length (mm)	23 / 30 / 54	23 / 30 / 90	23 / 30 / 110	
Mounting	DIN rail	DIN rail	DIN rail	
Weight (g)	26	41	50	
Package (pcs)	10	10	10	

Terminals MSET

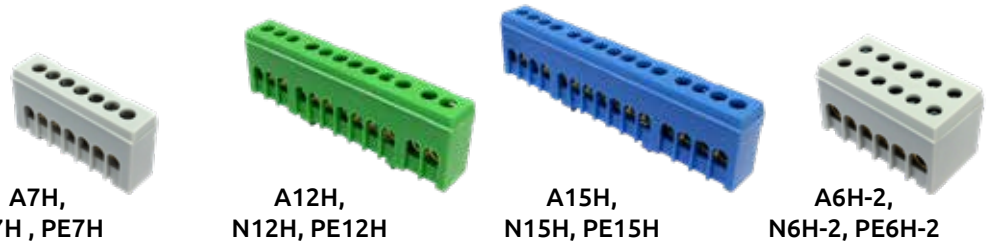
Ready-to-use solution for time-saving. Brass conductive part, steel connecting parts with Zn galvanization.

Order code	Type	Number of connections	Dimensions (mm) W / H / L	Weight (g)	Package (pcs)
MAD2007B21	MSET 7	7x2	40 / 40 / 50	54	10
MAD2009B21	MSET 9	9x2	40 / 40 / 64	68	10
MAD2014B21	MSET 14	14x2	40 / 40 / 97	96	10
MAD2024B21	MSET 24	24x2	40 / 40 / 163	156	10
MAD2032B21	MSET 32	32x2	40 / 40 / 216	202	10
MAD2042B21	MSET 42	42x2	40 / 40 / 282	258	10
MAD2052B21	MSET 52	52x2	40 / 40 / 348	316	10



Technical data	
Conductor cross section Cu (mm ²)	1,5 - 16
Nominal voltage (V)	690
Nominal current (A)	63
Tightening torque (Nm)	2,5
Mounting	DIN rail

Mountable crosswise on DIN rail. Fire-retardant bridges, IP20 protection class. Available in three colors.



		A7H, N7H, PE7H	A12H, N12H, PE12H	A15H, N15H, PE15H	A6H-2, N6H-2, PE6H-2
Grey	●	MAD1007A15	MAD1012A15	MAD1015A15	MAD2006A15
Blue	●	MAD1007N15	MAD1012N15	MAD1015N15	MAD2006N15
Green	●	MAD1007G15	MAD1012G15	MAD1015G15	MAD2006G15

Technical data

Conductor cross section Cu (mm ²)	1,5 - 16	1,5 - 16	1,5 - 16	8 x 2,5 - 16 4 x 4 - 25
Nominal voltage (V)	690	690	690	500
Nominal current (A)	63	63	63	63
The number of connection points	7	12	15	2 x 6
Tightening torque (Nm)	2	2	2	2
Width / Height / Length (mm)	13 / 27 / 53	13 / 27 / 87	13 / 27 / 106	30 / 27 / 53
Mounting	DIN rail	DIN rail	DIN rail	DIN rail
Weight (g)	28	45	57	88
Package (pcs)	10	10	10	10

Distribution terminals MAG

MAG 25 distribution terminals: Connect copper cables 2.5 to 25 mm². Quick-mounting unit for 35 mm rails. MS 58 contacts, zinc-plated steel screws, IP20 protection. They are tested according to DIN EN 60998.



Grey	●	MAG1250A32	-	-
Blue	●	-	MAG1250B32	-
Green	●	-	-	MAG1250G32

Technical data

Conductor cross-section Cu (mm ²)	4 x 2,5 - 25	4 x 2,5 - 25	4 x 2,5 - 25
Nominal voltage AC / DC (V)	1000 / 1500	1000 / 1500	1000 / 1500
Nominal current (A)	80	80	80
Width / Length / Height (mm)	26 / 50,5 / 31,5	26 / 50,5 / 31,5	26 / 50,5 / 31,5
Screw	Pozidriv	Pozidriv	Pozidriv
Tightening torque (Nm)	2,5	2,5	2,5
Mounting	DIN rail	DIN rail	DIN rail
Weight (g)	60	60	60
Package (pcs)	4	4	4

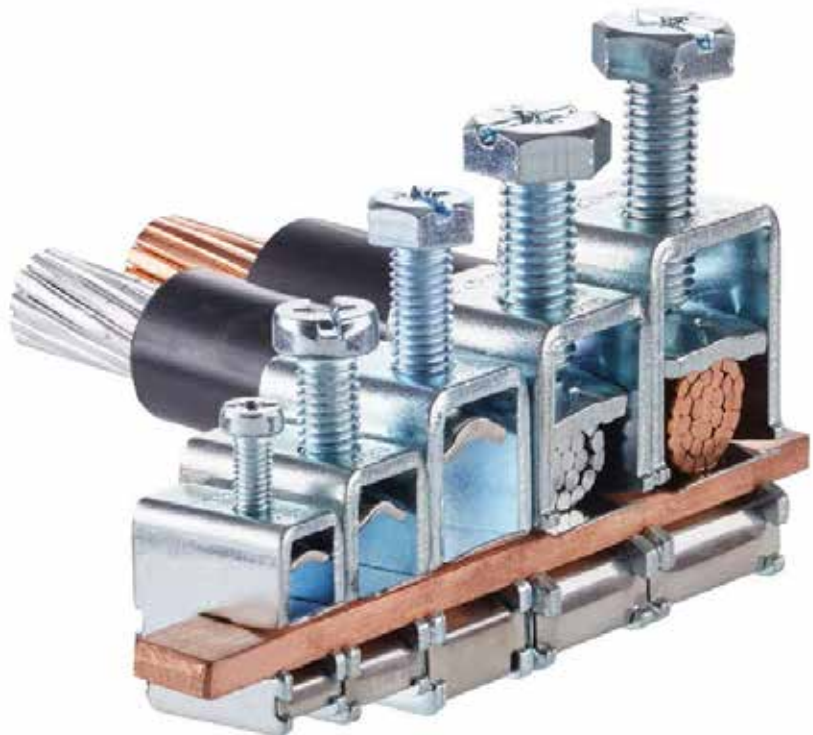
Bow terminals

Simple installation

Suitable for

cables and
flexible busbars

Bimetallic versions available



Bow terminals MAE-E: Mount on 5 or 10 mm copper busbars. Secure wires up to 185 mm² or 10x20 mm Moflex flexible busbars. Steel body and screw, galvanized with Zn. Stainless steel pressure spring. Hexagonal head for easy screw tightening.

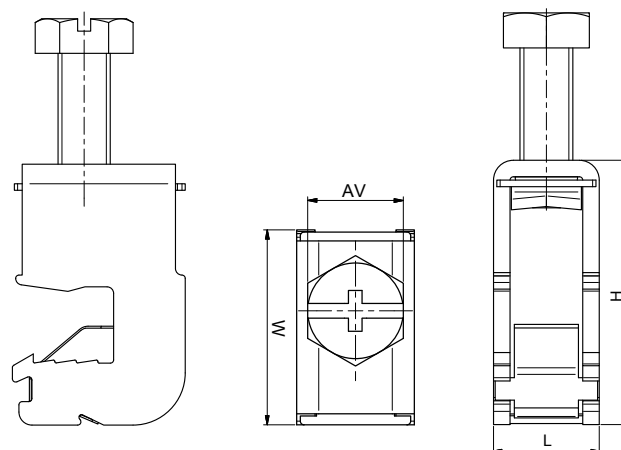
- Easy installation
- Ideal for modifications
- Excellent electrical contact
- Visible tightening torque indication
- Connect aluminum to copper busbar without TIN plating
- Connect Moflex copper flexible busbar to aluminum without TIN plating or flexible busbars



Mounting	MAE 16E	MAE 35E	MAE 50E	MAE 70E	MAE 120E	MAE 185E
5 mm bar	MAE0165E15	MAE0355E15	MAE0505E15	MAE0705E15	MAE1205E15	MAE1855E15
10 mm bar	MAE0161E15	MAE0351E15	MAE0501E15	MAE0701E15	MAE1201E15	MAE1851E15

Technical data						
Cross-section Cu (mm ²)	1,5 - 16	4 - 35	10 - 50	16 - 70	16 - 120	50 - 185
Flexible busbar max. width (mm)	-	9	9	9	15,5	20
Flexible busbar max. layers	-	6	6	6	10	10
Nominal voltage AC/DC (V)	1000	1000	1000	1000	1000	1000
Nominal current (A)	180	270	315	400	440	500
Width / Height / Length (mm)						
Cu bar (th. 5 mm)	25,5 / 26,5 / 12	26,5 / 31,3 / 16,5	26,5 / 35 / 16,5	28 / 39 / 20,5	29 / 46 / 23,5	29 / 55 / 35
Cu bar (th. 10 mm)	25,5 / 29 / 12	26,5 / 36,5 / 16,5	26,5 / 40 / 16,5	28 / 46 / 20,5	29 / 52 / 23,5	29 / 55 / 35
Screw / hexagonal key (AV)	Pz2 / SW 8	Pz3 / SW13	Pz3 / SW13	Pz3 / SW13	Pz3 / SW17	Pz3 / SW17
Tightening torque (Nm)	3	6	8	8	20	20
Weight (g)						
Cu bar (th. 5 mm)	22	44	48	62	88	102
Cu bar (th. 10 mm)	21	45	48	68	90	96
Package (pcs)	40	20	20	10	10	10

Dimensions



Bimetal bow terminals MAE-H connect copper/ aluminum wires up to 185 mm² or 10x20mm Moflex flexible busbars. They mount on 5/10mm copper/ aluminum busbars, feature bimetal plates, and use steel screws with Zn galvanization. Spring: stainless steel; separating plate: phosphorus bronze. Hexagonal head for easy tightening (except MAE 35H).

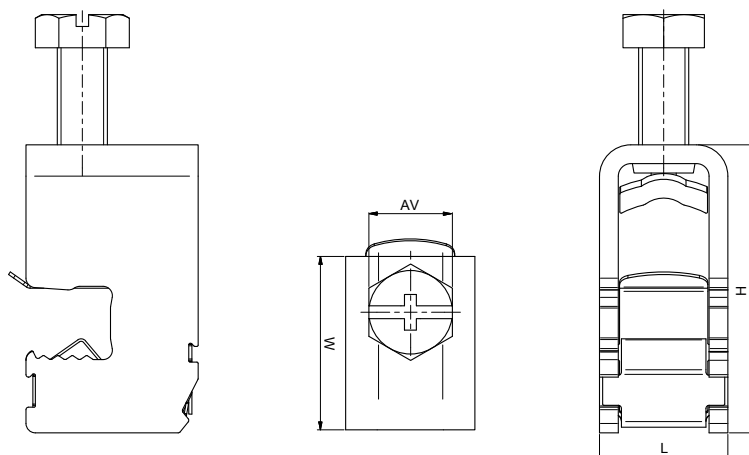
- Quick and easy installation
- Ideal for on-site modifications
- Provides excellent electrical contact
- Visible indication of tightening torque
- Suitable for connecting aluminum cables to copper busbars or copper cables to aluminum busbars without additional TIN plating
- Suitable for connecting Moflex copper flexible busbars to aluminum busbars without additional TIN plating or flexible busbars



Mounting	MAE 35H	MAE 70H	MAE 120H	MAE 185H
5 mm bar	MAE0355H15	MAE0705H15	MAE1205H15	MAE1855H15
10 mm bar	MAE0351H15	MAE0701H15	MAE1201H15	MAE1851H15

Technical data				
Cross-section Cu, Al (mm ²)	4 - 35	16 - 70	16 - 120	50 - 185
Flexible busbar max. width (mm)	9	9	15,5	20
Flexible busbar max. layers	6	6	10	10
Nominal voltage AC/DC (V)	1000	1000	1000	1000
Nominal current (A)	270	400	440	500
Width / Height / Length (mm)				
5 mm bar	26,5 / 32 / 16,5	27,5 / 41 / 21	29 / 46 / 24	29 / 52 / 30
10 mm bar	26,5 / 37 / 16,5	27,5 / 46 / 21	29 / 51 / 24	29 / 56 / 30
Screw / hexagonal key (AV)	Pz2 / SW8	Pz3 / SW13	Pz3 / SW17	Pz3 / SW17
Tightening torque (Nm)	6	12	22	22
Weight (g)				
5 mm bar	44	62	88	102
10 mm bar	45	68	90	102
Package (pcs)	10	10	10	10

Dimensions



Grounding ball studs

**Safety
grounding**

**Tested and
certified**

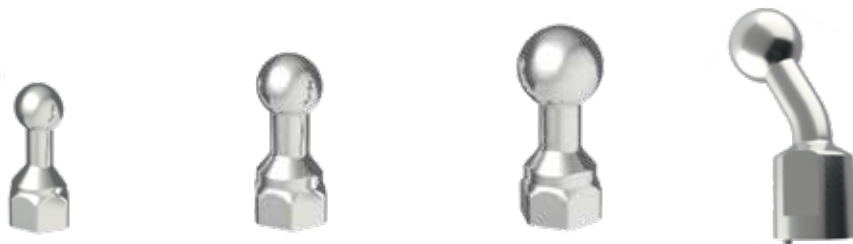
in accordance with the standard
IEC/EN 61230 (5, 7)

29,6 kA/1s

Tin plated copper



Grounding ball studs short-circuit and ground electrical equipment. Made of copper, they are electrolytically galvanized by Sn. Tested and certified to IEC/EN 61230 (5, 7) standards.



20 mm / M 12

25 mm / M 12

30 mm / M 12

30 mm / M 16*

	MGA2012M10	MGA2512M10	MGA3012M10	MGA3016M10
--	------------	------------	------------	------------

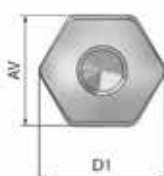
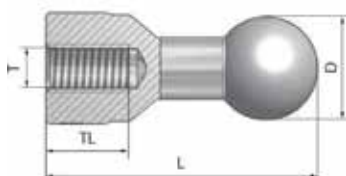
Technical data

The diameter of the spherical portion (D) (mm)	20	25	30	30
Length (L) (mm)	58,6	65,6	71,1	91
Dimensions TL / AV / D1 (mm)	16 / 24 / 27	20 / 27 / 30	20 / 27 / 30	24 / 27 / 30
Thread (T)	M12 (internal)	M12 (internal)	M12 (internal)	M16 (internal)
Max. short-circuit current	23,7 kA/1s	29,6 kA/1s	29,6 kA/1s	25 kA/1s
Weight (g)	178	208	262	344
Package (pcs)	20	20	20	10

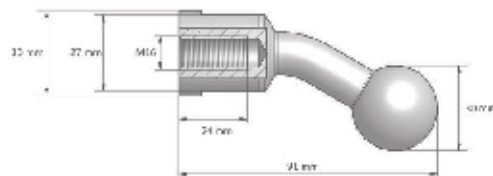
* Grounding ball stud with 30° bent

Dimensions

20 mm / M 12
25 mm / M 12
30 mm / M 12



30 mm / M 16



Adapter M 12

Adapter M 12 is compatible three types of grounding ball studs at above. The adapter is made of steel and plated with zinc.



Adapter M 12

	MGA0012M10
--	------------

Technical data

Length (mm)	75
Thread (T)	M12 (external)
Weight (g)	53
Package (pcs)	20

ZSMB 16 and ZSMB-I 16 earthing terminals connect protective conductors for various applications. ZSMB 16 is made of galvanized steel, while ZSMB-I 16 is made of stainless steel AISI 304. Copper or stainless steel tape (0.3x15 mm) is recommended for installation.

Example of application ZSMB earthing terminal

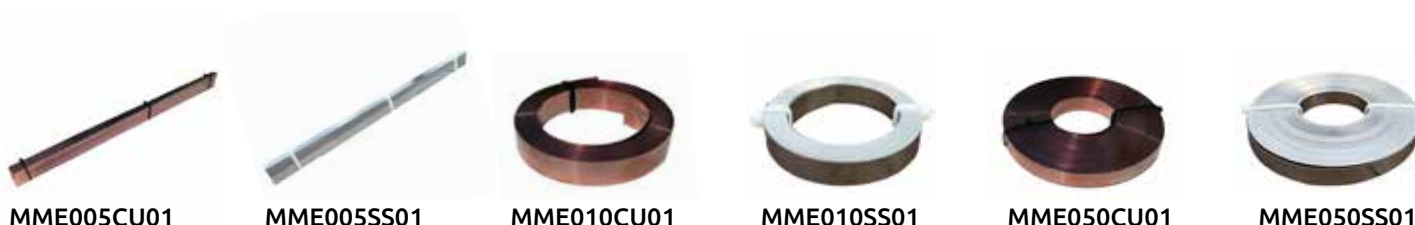


ZSMB 16



ZSMB-I 16

	MAE0160Z33	MAE0160S33
Technical data		
Material	Steel class 11 (galvanized)	Stainless steel AISI 304
Conductor cross-section (mm ²)	2,5 ÷ 16	2,5 ÷ 16
Width (mm)	17,8	17,8
Height (mm)	40,5	40,5
Length (mm)	28,5	28,5
Tightening torque (Nm)	3	3
Weight (g)	39,8	40
Package (pcs)	200	200



MME005CU01

MME005SS01

MME010CU01

MME010SS01

MME050CU01

MME050SS01

Earthing strip 0,5 m

Earthing strip 10 m

Earthing strip 50 m

Copper	MME005CU01	MME010CU01	MME050CU01
Stainless steel	MME005SS01	MME010SS01	MME050SS01

Technical data			
Dimensions (mm)	0,3 x 15	0,3 x 15	0,3 x 15
Length (mm)	500	10 000	50 000
Weight Cu / stainless (g)	21 / 18	403 / 362	2018 / 1800
Package (pcs)	300	15	5

Insulators

Low voltage insulators

Wide range of **polyester** and **polyamide** insulators

High resistance to electrical and mechanical stress



Protective ring against pulling out or twisting of the threaded steel part even under high stress



Polyester resin with 20% fiberglass
Zinc-plated steel - threaded inserts.

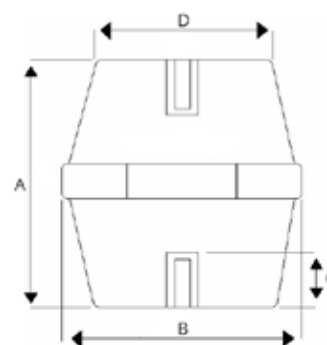
Advantages

- Excellent insulation properties
- Easy fixing thanks to hexagonal perimeter
- Application flexibility with models of different size (height and width)
- High resistance to corrosion, high temperatures and electrical / mechanical stress

Technical specifications

- Color red (RAL 3002)
- Operating temperature - 40 °C / + 130 °C
- Self-extinguishing grade UL94 - V0
- Arc resistance > 180 sec. (according to ASTM D-495)

Products displayed here contain only selection of the range offered. Ask for availability of other dimensions and brass inserts from us!



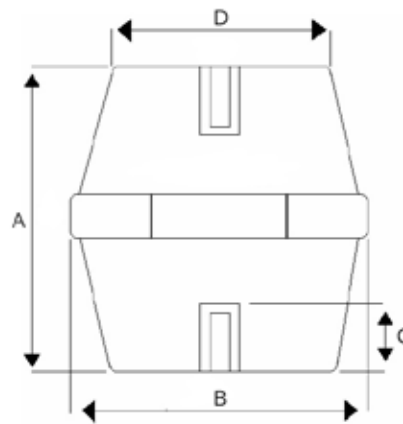
Order code	Dimensions (mm)				Mechanical characteristics					Electrical characteristics			Package
	A	B	C	D	Thread	T.S. (daN)	C.S. (daN)	B.S. (daN)	Tightening torque (Nm)	Rated voltage at 50Hz for 60 sec. (kV)	Flashover voltage (kV AC)	Operating Voltage DC/AC (V)	(pcs)
MID2505H19	25	HEX 19	8	15	M5	400	2300	220	6	8	25	600	50
MID2506H19	25	HEX 19	8	15	M6	400	2300	220	10,3	8	25	600	50
MID3006H30	30	HEX 30	9	26	M6	900	4900	450	10,3	10	30	750	50
MID3008H30	30	HEX 30	9	26	M8	900	4900	450	25,5	10	30	750	50
MID3506H32	35	HEX 32	11	28	M6	1100	7000	500	10,3	10	40	750	50
MID3508H32	35	HEX 32	11	28	M8	1100	7000	500	25,5	10	40	750	50
MID3510H32	35	HEX 32	11	28	M10	1100	7000	500	50	10	40	750	50
MID3606H41	36	HEX 41	11	33	M6	1400	8300	650	10,3	12	40	1000	50
MID3608H41	36	HEX 41	11	33	M8	1400	8300	650	25,5	12	40	1000	25
MID3610H41	36	HEX 41	11	33	M10	1400	8300	650	50	12	40	1000	25
MID4006H46	40	HEX 46	15	40	M6	1300	8300	700	10,3	12	40	1000	20
MID4008H46	40	HEX 46	15	40	M8	1300	8300	700	25,5	12	40	1000	20
MID4010H46	40	HEX 46	15	40	M10	1300	8300	700	50	12	40	1000	20
MID4506O41	45	OCT 41	15	33	M6	1400	8500	740	10,3	15	40	1000	25
MID4508O41	45	OCT 41	15	33	M8	1400	8500	740	25,5	15	40	1000	25
MID4510O41	45	OCT 41	15	33	M10	1400	8500	740	50	15	40	1000	25
MID4512O41	45	OCT 41	15	33	M12	1400	8500	740	87,2	15	40	1000	25
MID4506H46	45	HEX 46	15	40	M6	1500	9000	750	10,3	15	40	1000	20
MID4508H46	45	HEX 46	15	40	M8	1500	9000	750	25,5	15	40	1000	20
MID4510H46	45	HEX 46	15	40	M10	1500	9000	750	50	15	40	1000	20
MID5006H36	50	HEX 36	15	29	M6	1300	8000	650	10,3	20	50	1500	25
MID5008H36	50	HEX 36	15	29	M8	1300	8000	650	25,5	20	50	1500	25
MID5010H36	50	HEX 36	15	29	M10	1300	8000	650	50	20	50	1500	25
MID5012H36	50	HEX 36	15	29	M12	1300	8000	650	87,2	20	50	1500	25
MID5012H50	50	HEX 50	15	42	M12	1500	9500	750	87,2	20	50	1500	20
MID6008O55	60	OCT 55	15	43	M8	2000	12500	800	25,5	20	50	1500	10
MID6010O55	60	OCT 55	15	43	M10	2000	12500	800	50	20	50	1500	10

T.S. - Tensile strength | C.S. - Compression strength | B.S. - Bending strength

Order code	Dimensions (mm)				Mechanical characteristics				Electrical characteristics			Package	
	A	B	C	D	Thread	T.S. (daN)	C.S. (daN)	B.S. (daN)	Tightening torque (Nm)	Rated voltage at 50Hz for 60 sec. (kV)	Flashover voltage (kV AC)	Operating Voltage DC/AC (V)	(pcs)
MID6308H41	63	HEX 41	15	33	M8	1600	9000	700	25,5	20	50	1500	20
MID6310H41	63	HEX 41	15	33	M10	1600	9000	700	50	20	50	1500	20
MID6312H41	63	HEX 41	15	33	M12	1600	9000	700	87,2	20	50	1500	10
MID7010H65	70	HEX 65	25	49	M10	3000	15000	1200	50	25	50	2000	10
MID7012H65	70	HEX 65	25	49	M12	3000	15000	1200	87,2	25	50	2000	5
MID7016H65	70	HEX 65	25	49	M16	3000	15000	1200	210,8	25	50	2000	10
MID7512O65	75	OCT 65	26	51	M12	3000	15000	1200	87,2	25	50	2000	5
MID7508H50	75	HEX 50	15	42	M8	1800	9500	730	25,5	25	50	2000	10
MID7510H50	75	HEX 50	25	42	M10	1800	9500	730	50	25	50	2000	10
MID7512H50	75	HEX 50	25	42	M12	1800	9500	730	87,2	25	50	2000	10
MID8012H65	80	HEX 65	25	49	M12	3500	16000	1300	87,2	30	50	3600	5
MID1002O65	100	OCT 65	25	51	M12	4000	16500	1300	87,2	30	50	3600	5
MID1006O65	100	OCT 65	25	51	M16	4000	16500	1300	210,8	30	50	3600	5

T.S. - Tensile strength | C.S. - Compression strength | B.S. - Bending strength

Dimensions



**Polyester resin with 30% fiberglass
Zinc-plated steel - threaded inserts.**

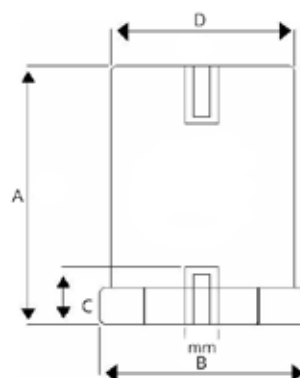
Advantages

- Excellent insulation properties
- Easy fixing thanks to hexagonal perimeter
- Application flexibility with models of different size (height and width)
- High resistance to corrosion, high temperatures and electrical / mechanical stress

Technical specifications

- Color red (RAL 3011)
- Operating temperature - 40 °C / + 120 °C
- Self-extinguishing grade UL94 - V0
- Arc resistance > 180 sec. (according to ASTM D-495)

Products displayed here contain only selection of the range offered. Ask for availability of other dimensions and brass inserts from us!



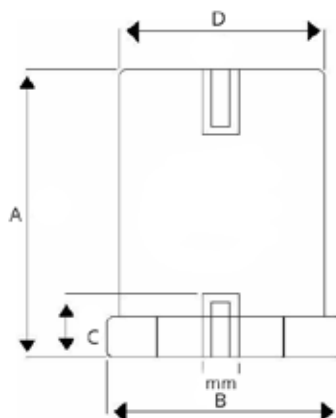
Order code	Dimensions (mm)				Mechanical characteristics				Electrical characteristics			Package
	A	B	C	Thread	T.S. (daN)	C.S. (daN)	B.S. (daN)	Tightening torque (Nm)	Rated voltage at 50Hz for 60 sec. (kV)	Flashover voltage (kV AC)	Operating Voltage DC/AC (V)	(pcs)
Polyamide stud insulators D=20												
MIB1604D20	16	HEX 20	4,5	M4	300	2500	200	3	3	10	400	50
MIB1605D20	16	HEX 20	4,5	M5	300	2500	200	3,5	3	10	400	50
MIB1606D20	16	HEX 20	4,5	M6	300	2500	200	4	3	10	400	50
MIB2005D20	20	HEX 20	5	M5	300	2500	180	3,5	3,5	12	600	50
MIB2006D20	20	HEX 20	5	M6	300	2500	180	4	3,5	12	600	100
MIB2505D20	25	HEX 20	8	M5	300	2500	180	6	5	15	600	50
MIB2506D20	25	HEX 20	8	M6	300	2500	180	10,3	5	15	600	100
MIB2508D20	25	HEX 20	8	M8	300	2500	180	25,5	5	15	600	100
MIB3005D20	30	HEX 20	9	M5	350	2500	150	6	10	20	600	50
MIB3006D20	30	HEX 20	9	M6	350	2500	150	10,3	10	20	600	100
MIB3008D20	30	HEX 20	9	M8	350	2500	150	25,5	10	20	600	100
MIB3505D20	35	HEX 20	9	M5	350	2500	150	6	10	20	600	100
MIB3506D20	35	HEX 20	9	M6	350	2500	150	10,3	10	20	600	100
MIB3508D20	35	HEX 20	9	M8	350	2500	150	25,5	10	20	600	100
MIB4005D20	40	HEX 20	9	M5	350	2500	150	6	10	20	600	50
MIB4006D20	40	HEX 20	9	M6	350	2500	150	10,3	10	20	600	100
MIB4008D20	40	HEX 20	9	M8	350	2500	150	25,5	10	20	600	100
MIB4505D20	45	HEX 20	9	M5	350	2500	150	6	10	20	600	50
MIB4506D20	45	HEX 20	9	M6	350	2500	150	10,3	10	20	600	100
MIB4508D20	45	HEX 20	9	M8	350	2500	150	25,5	10	20	600	50
MIB5005D20	50	HEX 20	9	M5	350	2500	100	6	10	30	750	50
MIB5006D20	50	HEX 20	9	M6	350	2500	100	10,3	10	30	750	50

T.S. - Tensile strength | C.S. - Compression strength | B.S. - Bending strength

Order code	Dimensions (mm)				Mechanical characteristics				Electrical characteristics			Package
	A	B	C	Thread	T.S. (daN)	C.S. (daN)	B.S. (daN)	Tightening torque (Nm)	Rated voltage at 50Hz for 60 sec. (kV)	Flashover voltage kV AC	Operating Voltage DC/AC (V)	(pcs)
Polyamide stud insulators D=30												
MIB3006D30	30	HEX 30	9	M6	900	4500	450	10,3	8	25	750	50
MIB3008D30	30	HEX 30	9	M8	900	4500	450	25,5	8	25	750	50
MIB3506D30	35	HEX 30	11	M6	900	4500	450	10,3	8	25	750	50
MIB3508D30	35	HEX 30	11	M8	900	4500	450	25,5	8	25	750	50
MIB4006D30	40	HEX 30	11	M6	900	4500	450	10,3	10	30	1000	50
MIB4008D30	40	HEX 30	11	M8	900	4500	450	25,5	10	30	1000	50
MIB4506D30	45	HEX 30	15	M6	900	4500	300	10,3	10	30	1000	50
MIB4508D30	45	HEX 30	15	M8	900	4500	300	25,5	10	30	1000	25
MIB5506D30	55	HEX 30	15	M6	900	4500	200	10,3	15	50	1500	25
MIB5508D30	55	HEX 30	15	M8	900	4500	200	25,5	15	50	1500	25
MIB6506D30	65	HEX 30	15	M6	900	4500	150	10,3	15	50	1500	25
MIB6508D30	65	HEX 30	15	M8	900	4500	150	25,5	15	50	1500	25
MIB7006D30	70	HEX 30	15	M6	900	4500	150	10,3	15	50	1500	25
MIB7008D30	70	HEX 30	15	M8	900	4500	150	25,5	15	50	1500	25
Polyamide stud insulators D=40												
MIB3008D40	30	HEX 41	9	M8	1200	6500	700	25,5	8	25	750	50
MIB3508D40	35	HEX 41	11	M8	1200	6500	700	25,5	8	25	750	50
MIB4008D40	40	HEX 41	11	M8	1200	6500	600	25,5	10	30	1000	25
MIB4010D40	40	HEX 41	11	M10	1200	6500	600	50	10	30	1000	25
MIB4508D40	45	HEX 41	15	M8	1200	6500	600	25,5	10	30	1000	50
MIB4510D40	45	HEX 41	15	M10	1200	6500	600	50	10	30	1000	50
MIB5008D40	50	HEX 41	15	M8	1200	6500	500	25,5	15	40	1500	25
MIB5010D40	50	HEX 41	15	M10	1200	6500	500	50	15	40	1500	25
MIB5510D40	55	HEX 41	15	M10	1200	6500	500	50	15	40	1500	20
MIB6010D40	60	HEX 41	15	M10	1200	6500	500	50	15	40	1500	20
MIB6510D40	65	HEX 41	15	M10	1200	6500	300	50	15	40	1500	10
MIB7010D40	70	HEX 41	15	M10	1200	6500	300	50	15	40	1500	10

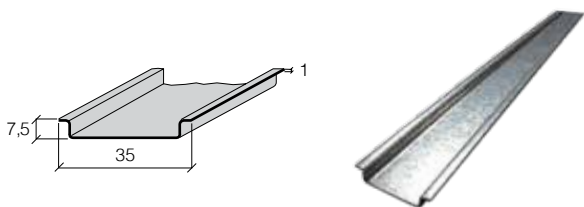
T.S. - Tensile strength | C.S. - Compression strength | B.S. - Bending strength

Dimensions



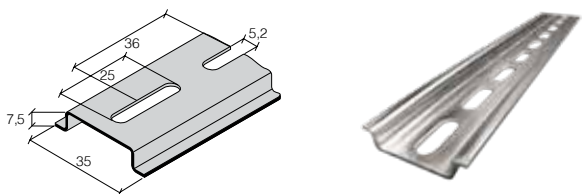
DIN rails are standardized mounting components used for various devices. They come in different versions, lengths, and materials, such as steel, copper, aluminium, or stainless steel. DIN rails are standardized and certified according to EN 60715 and are made of steel class. 11, surfaced in design Sendzimir according to EN 10346-2009-03.

TS 35 x 7,5 solid



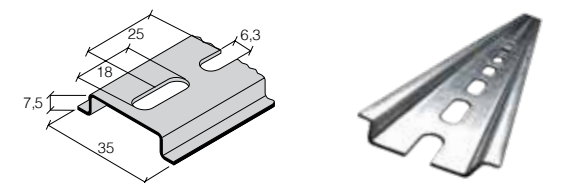
Order code	Length (mm)	Weight (g)	Package (m)
MMD7520A29	2000	680	40 / 2160
MMD7510A29	1000	340	20 / 1080

TS 35 x 7,5 perforated (5,2 x 25 mm)



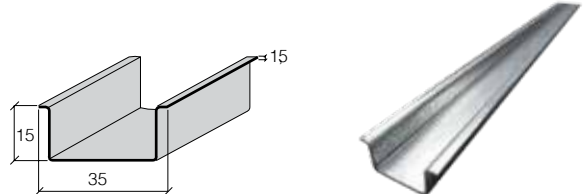
Order code	Length (mm)	Weight (g)	Package (m)
MMD7520B29	2000	600	40 / 2160
MMD7510B29	1000	300	20 / 1080

TS 35 x 7,5 perforated (6,3 x 18 mm)



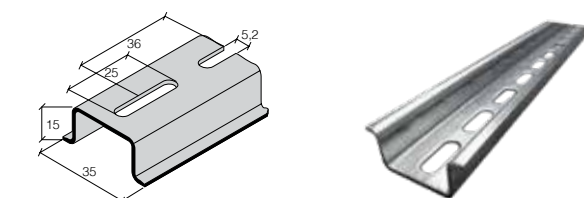
Order code	Length (mm)	Weight (g)	Package (m)
MMD7520C29	2000	600	40 / 2160
MMD7510C29	1000	300	20 / 1080

TS 35 x 15 solid



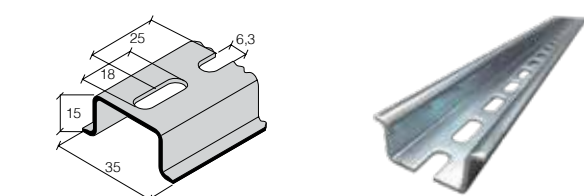
Order code	Length (mm)	Weight (g)	Package (m)
MMD1520A29	2000	1320	20 / 1080

TS 35 x 15 perforated (5,2 x 25 mm)



Order code	Length (mm)	Weight (g)	Package (m)
MMD1520B29	2000	1200	20 / 1080

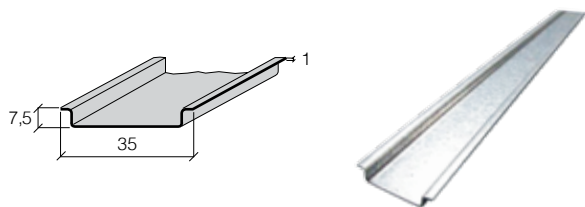
TS 35 x 15 perforated (6,3 x 18 mm)



Order code	Length (mm)	Weight (g)	Package (m)
MMD1520C29	2000	1200	20 / 1080

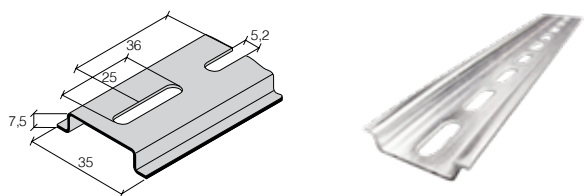
DIN rails are standardized mounting components used for various devices. They come in different versions, lengths, and materials, such as steel, copper, aluminium, or stainless steel. DIN rails are made of steel class. 11, surfaced in design galvanic zinc plating and passivation. We can deliver also customized rails made of copper, aluminium or stainless steel.

TS 35 x 7,5 Galvanic Zn solid



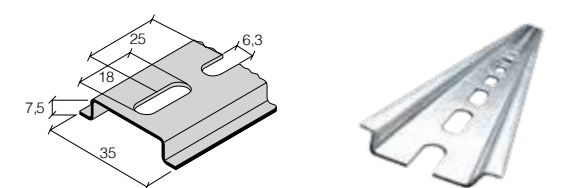
Order code	Length (mm)	Weight (g)	Package (m)
MMD7520Z00	2000	680	40 / 2160

TS 35 x 7,5 Galvanic Zn perforated (5,2 x 25 mm)



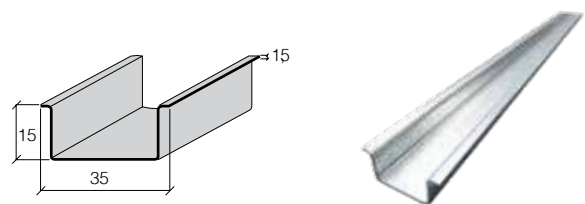
Order code	Length (mm)	Weight (g)	Package (m)
MMD7520Z52	2000	600	40 / 2160

TS 35 x 7,5 Galvanic Zn perforated (6,3 x 18 mm)



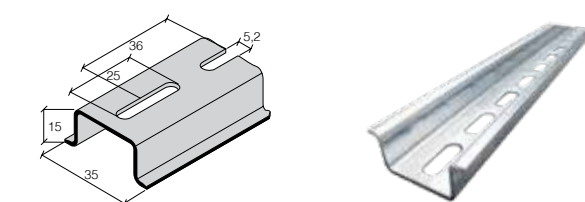
Order code	Length (mm)	Weight (g)	Package (m)
MMD7520Z63	2000	600	40 / 2160

TS 35 x 15 Galvanic Zn solid



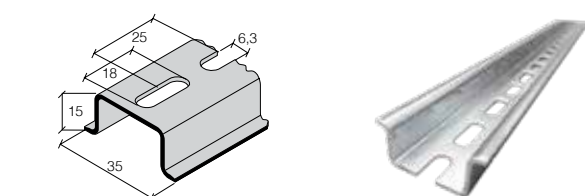
Order code	Length (mm)	Weight (g)	Package (m)
MMD1520Z00	2000	1320	20 / 1080

TS 35 x 15 Galvanic Zn perforated (5,2 x 25 mm)



Order code	Length (mm)	Weight (g)	Package (m)
MMD1520Z52	2000	1200	20 / 1080

TS 35 x 15 Galvanic Zn perforated (6,3 x 18 mm)



Order code	Length (mm)	Weight (g)	Package (m)
MMD1520Z63	2000	1200	20 / 1080

DIN rail brackets are used for mounting of DIN rails and defining the distance between the device and the installation cabinet wall. Sloping DIN bracket are used to fix the mounting rail in an angle of 30°.

It is possible to place DIN rails on the flat brackets horizontally to the wall. All brackets have an opening with metric thread M6 piece for easy and convenient connection to the DIN rail. DIN rail brackets are made of steel surfaced by zinc.

DIN rail bracket – flat



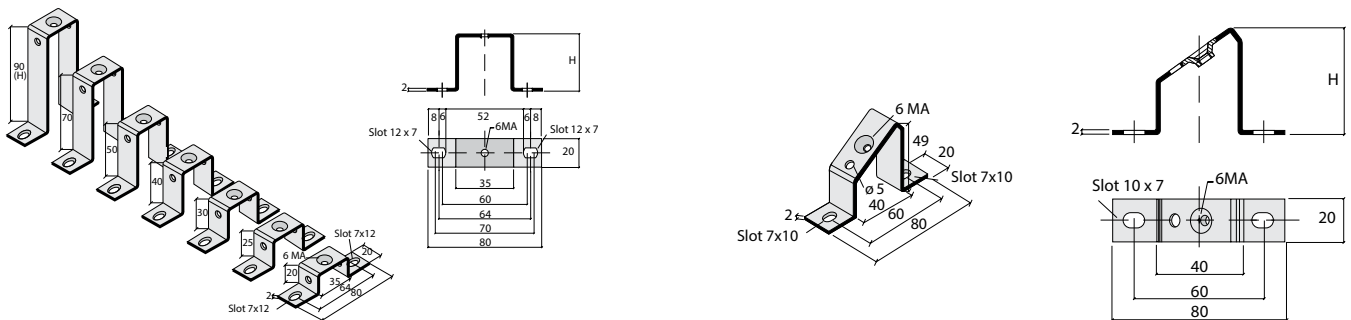
DIN rail bracket – sloping - pitch of the mounting holes 60 mm



Order code	Type	Thread	Package (pcs)
MMD6420A23	DIN rail bracket flat H20	M6	50
MMD6425A23	DIN rail bracket flat H25	M6	50
MMD6430A23	DIN rail bracket flat H30	M6	50
MMD6440A23	DIN rail bracket flat H40	M6	50
MMD6450A23	DIN rail bracket flat H50	M6	50
MMD6470A23	DIN rail bracket flat H70	M6	50
MMD6490A23	DIN rail bracket flat H90	M6	50

Order code	Type	Thread	Package (pcs)
MMD6049B23	DIN rail bracket sloping H49	M6	50

Dimensions



Mounting clips



Mounting clips for mounting rail, allow installation of components which are not pre-set to clip on to rail. Material: nickel-plated steel.

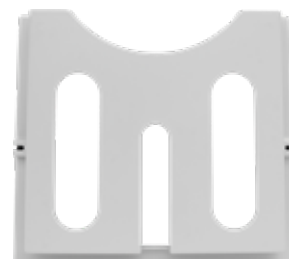
Order code	Type	Weight (g)	Package (pcs)
MMD5104A23	FIX-KLIPM4	4	100
MMD5105A23	FIX-KLIPM5	4	100



Document holders store A4 or A6 documents in metal or plastic cabinets. They can be attached using double-sided adhesive tape or self-tapping screws (not included). The holders are made of shock-proof plastic and available in grey (RAL 7035).



Holder A6



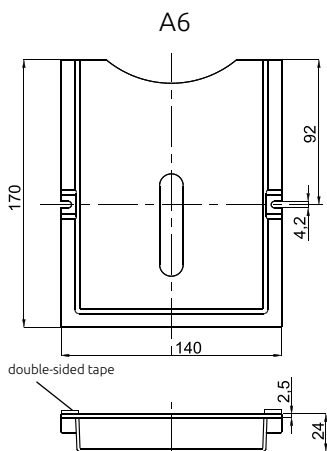
Holder A4

Grey (RAL 7035)	●	MLE0006A26	MLE0004A26
-----------------	---	------------	------------

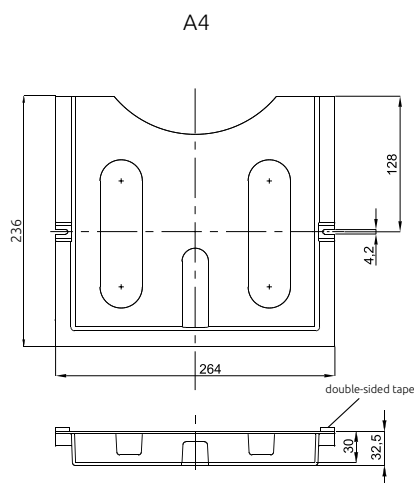
Technical data		
Width / Height / Length (mm)	140 / 170 / 24	264 / 236 / 33
Weight (g)	83	132
Package (pcs)	80	25
Material	PS	PS

Dimensions

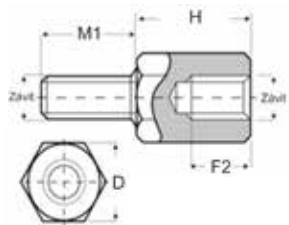
A6



A4



Hexagonal profile metal spacers (threaded standoffs) are versatile and heat-resistant, designed for various applications. Sizes suitable for M3, M4, M5, M6, and M8 thread holes.



Order code	Dimensions (mm)					Tightening torque (Nm)	Weight (g)	Package (pcs)
	H	D	Thread	M1	F2			
MMF0053D07	5	7	M3	6	2,5	1,12	1,8	100
MMF0083D07	8	7	M3	6	3,5	1,12	2,7	100
MMF0103D07	10	7	M3	6	5	1,12	3,5	100
MMF0123D07	12	7	M3	6	6	1,12	4,2	100
MMF0153D07	15	7	M3	6	6	1,12	5,2	100
MMF0203D07	20	7	M3	6	6	1,12	6,9	100
MMF0253D07	25	7	M3	6	6	1,12	8,6	100
MMF0303D07	30	7	M3	6	6	1,12	10	100
MMF1203D07	120	7	M3	6	6	1,12	40,7	100
MMF0104D07	10	7	M4	8	5	2,55	3,6	100
MMF0154D07	15	7	M4	8	10	2,55	4,9	100
MMF0204D07	20	7	M4	8	10	2,55	6,5	100
MMF0254D07	25	7	M4	8	10	2,55	8,1	100
MMF0304D07	30	7	M4	8	10	2,55	9,6	100
MMF0354D07	35	7	M4	8	10	2,55	11,3	100
MMF0404D07	40	7	M4	8	10	2,55	12,9	100
MMF0454D07	45	7	M4	8	10	2,55	14,5	100
MMF0504D07	50	7	M4	8	10	2,55	16,3	100
MMF0604D07	60	7	M4	8	10	2,55	19,8	50
MMF0704D07	70	7	M4	8	10	2,55	23	50
MMF0804D07	80	7	M4	8	10	2,55	26,4	50
MMF0904D07	90	7	M4	8	10	2,55	29,6	50
MMF1004D07	100	7	M4	8	10	2,55	32,8	50
MMF1104D07	110	7	M4	8	10	2,55	36	50
MMF1204D07	120	7	M4	8	10	2,55	42,5	50
MMF0105D08	10	8	M5	8	7	5,05	45	100
MMF0155D08	15	8	M5	8	10	5,05	6	100
MMF0205D08	20	8	M5	8	10	5,05	8,1	100
MMF0255D08	25	8	M5	8	10	5,05	10,1	100
MMF0305D08	30	8	M5	8	10	5,05	12,1	100
MMF0355D08	35	8	M5	8	10	5,05	14	100
MMF0405D08	40	8	M5	8	10	5,05	16,6	100
MMF0455D08	45	8	M5	8	10	5,05	18,5	100
MMF0505D08	50	8	M5	8	10	5,05	21,4	50
MMF0605D08	60	8	M5	8	10	5,05	25,4	50
MMF0705D08	70	8	M5	8	10	5,05	29,6	50
MMF0805D08	80	8	M5	8	10	5,05	34	25
MMF0905D08	90	8	M5	8	10	5,05	38,4	50
MMF1005D08	100	8	M5	8	10	5,05	42,6	50
MMF1105D08	110	8	M5	8	10	5,05	45	50
MMF1205D08	120	8	M5	8	10	5,05	52	50
MMF0106D10	10	10	M6	10	8	8,72	6,5	100
MMF0156D10	15	10	M6	10	10	8,72	9,7	100
MMF0206D10	20	10	M6	10	10	8,72	12,9	100
MMF0256D10	25	10	M6	10	10	8,72	16,2	100
MMF0306D10	30	10	M6	10	10	8,72	19,4	100
MMF0356D10	35	10	M6	10	10	8,72	22,2	50
MMF0406D10	40	10	M6	10	10	8,72	26,6	50
MMF0456D10	45	10	M6	10	10	8,72	29,8	50
MMF0506D10	50	10	M6	10	10	8,72	33,2	50
MMF0606D10	60	10	M6	10	10	8,72	40	50
MMF0706D10	70	10	M6	10	10	8,72	53,6	50
MMF0806D10	80	10	M6	10	10	8,72	55,2	50
MMF0906D10	90	10	M6	10	10	8,72	68	25
MMF1006D10	100	10	M6	10	10	8,72	69,6	25
MMF1106D10	110	10	M6	10	10	8,72	72	25
MMF1206D10	120	10	M6	10	10	8,72	77	25
MMF0108D12	10	12	M8	14	6	21,53	8,8	100
MMF0158D12	15	12	M8	14	10	21,53	13,2	100
MMF0208D12	20	12	M8	14	14	21,53	17,7	100
MMF0258D12	25	12	M8	14	14	21,53	23,4	50
MMF0308D12	30	12	M8	14	14	21,53	27,8	50
MMF0358D12	35	12	M8	14	14	21,53	32,4	50
MMF0408D12	40	12	M8	14	14	21,53	37	50
MMF0458D12	45	12	M8	14	14	21,53	42,8	25
MMF0508D12	50	12	M8	14	14	21,53	47,6	25
MMF0608D12	60	12	M8	14	14	21,53	57,6	25
MMF0708D12	70	12	M8	14	14	21,53	67,2	25
MMF0808D12	80	12	M8	14	14	21,53	78,8	25
MMF0908D12	90	12	M8	14	14	21,53	88,4	25
MMF1008D12	100	12	M8	14	14	21,53	95,6	25
MMF1108D12	110	12	M8	14	14	21,53	103	25
MMF1208D12	120	12	M8	14	14	21,53	113	25
MMF0108D13	10	13	M8	14	6	21,53	11	50
MMF0158D13	15	13	M8	14	10	21,53	17	50
MMF0208D13	20	13	M8	14	14	21,53	21,4	50
MMF0258D13	25	13	M8	14	14	21,53	26,6	50
MMF0308D13	30	13	M8	14	14	21,53	34	50
MMF0358D13	35	13	M8	14	14	21,53	39	25
MMF0408D13	40	13	M8	14	14	21,53	44,8	25
MMF0458D13	45	13	M8	14	14	21,53	50	25
MMF0508D13	50	13	M8	14	14	21,53	56,4	25
MMF0608D13	60	13	M8	14	14	21,53	67	25
MMF0708D13	70	13	M8	14	14	21,53	78,8	25
MMF0808D13	80	13	M8	14	14	21,53	90	25
MMF0908D13	90	13	M8	14	14	21,53	101	25
MMF1008D13	100	13	M8	14	14	21,53	112	25
MMF1108D13	110	13	M8	14	14	21,53	123	25
MMF1208D13	120	13	M8	14	14	21,53	134	25

Quarter-turn locks securely fasten hatches, cabinets, lockers, and machine doors. They are durable, easy to use, and widely applicable in construction projects. Our standard quarter-turn locks include a 10mm triangle insert, keys, wing knobs, dust covers, and finger pulls. Locknuts are included, and additional locks and accessories can be provided upon request.

Lock

	NL02C104C1F1835
--	-----------------

Technical data	
Insert	Triangle 10 / M5
Latch (mm)	35
Depth (mm)	18
Diameter (mm)	28
Package (pcs)	250



Key, wing knob, dust cover, finger pull



Key



Wing knob



Dust cover



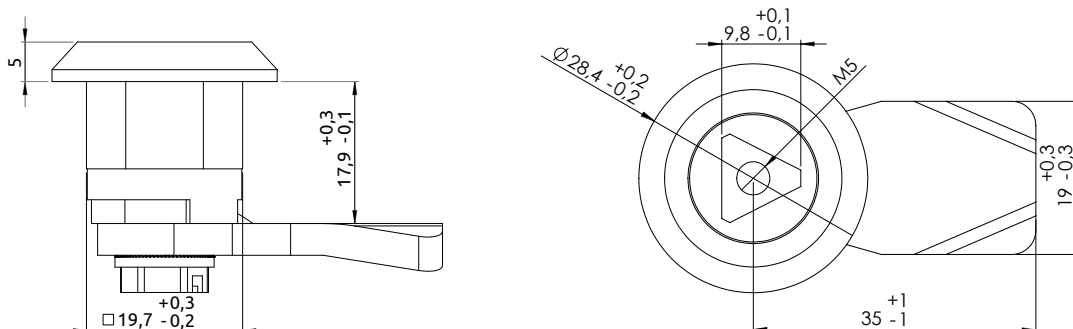
Finger pull

	NCL101ZZ003	NCL114PP004	NCL134PP001	NCL124PP001
--	-------------	-------------	-------------	-------------

Technical data				
For insert	Triangle 10	Triangle 10	-	-
Package (pcs)	50	500	200	250

Dimensions

Lock



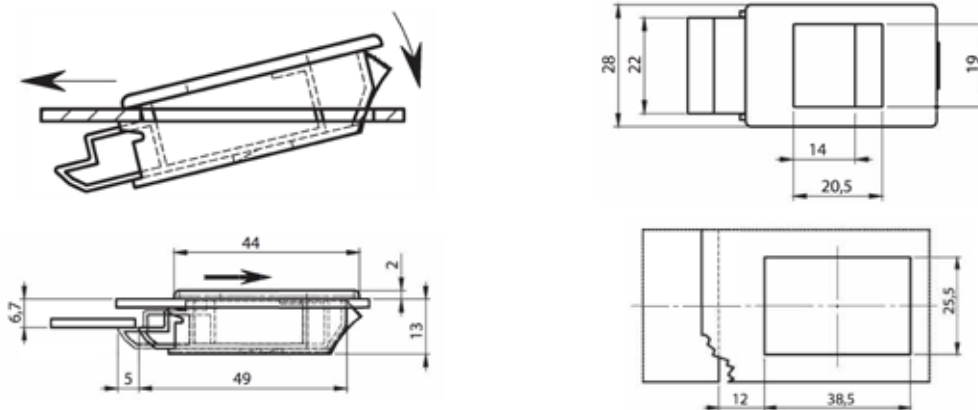
Snap-in sliding latch offers an easy and toolless solution for cabinet doors and lids without requiring a lock. Its simple design allows for quick and effortless installation.

Sliding latch



	NFN004PP001
Technical data	
Door thickness (mm)	0,8–2,0
Package (pcs)	500

Dimensions



Flush handle

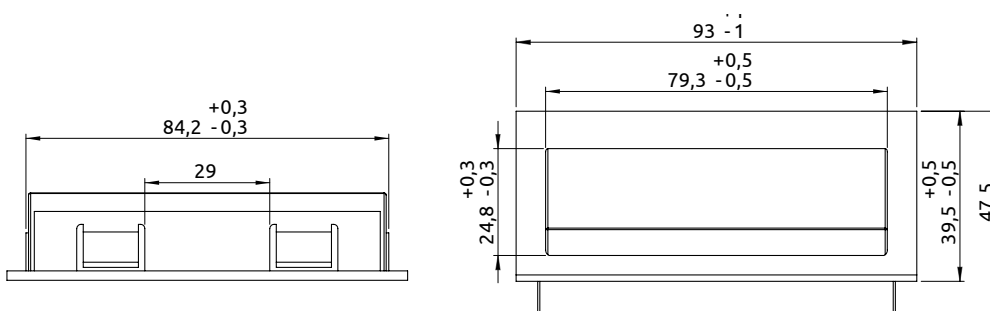
Quick and easy snap-in installation with fiberglass-reinforced polyamide material. Other sizes available upon request.

Flush handle



	NHP0816B01
Technical data	
Door thickness (mm)	0,8–1,6
Package (pcs)	250

Dimensions



We are offering a selection of fiberglass-reinforced polyamide and steel tube door handles, suitable for electrical cabinet and machinery doors and hatches. Steel tube door handles consist of middle supports (1), tubes of varying lengths (2) and end-pieces (3). Using middle support is required with tube lengths of 1000 mm and larger.

	Door handle	Door handle
	NHP0122B01	NHP0150B01
Technical data		
Length L/L1 (mm)	142/122	170/150
Dimensions H/T1/T2	45/7/12	54/9/14
Package (pcs)	200	150



Tube door handle

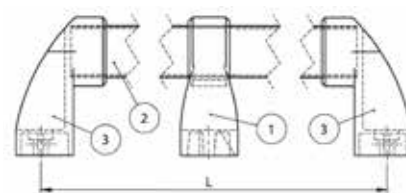
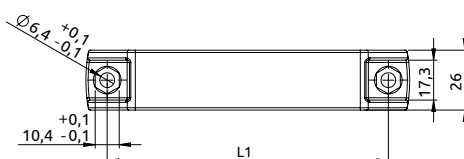
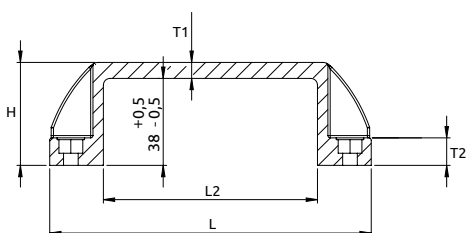
Order code	Type	Package (pcs)
NHP0021B01	End piece	250
NHP0022B01	Center support	250
NHP0200B01	Tube 200 mm	70
NHP0300B01	Tube 300 mm	45
NHP0500B01	Tube 500 mm	25



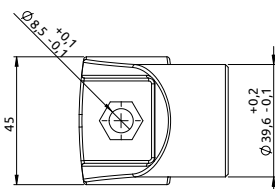
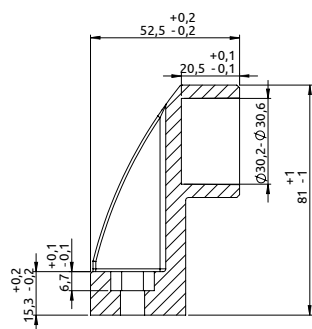
Other lengths are available on request.

Dimensions

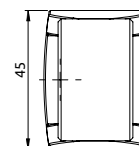
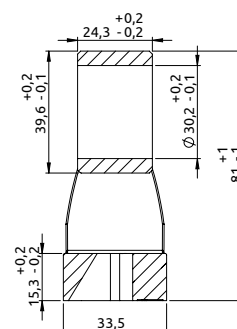
Door handles



End piece



Center support



180° hinges are a simple and effective way for mounting cabinet doors. Hinges are made of die cast zinc with black coating, the pin is made of zinc-plated steel. Other colors are available on request.

180° hinge

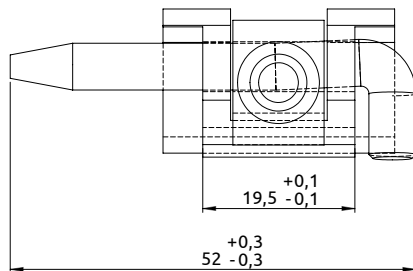
	NE3418Z40001
--	--------------

Technical data

Door thickness (mm)	1,5–2,0
Package (pcs)	200



Dimensions



Wind stop

Cabinet door wind stops are essential accessories for outdoor cabinets, preventing accidental door closure. They are made of zinc-plated steel, with a stainless steel version available upon request.

Wind stop

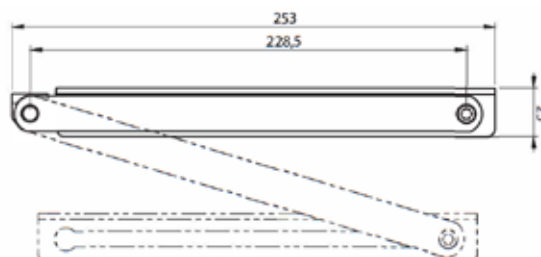
	NCM141ZZ001
--	-------------

Technical data

Package (pcs)	50
---------------	----



Dimensions



Insulated copper flexible busbars Moflex

Insulated copper flexible busbars Moflex are manufactured out of highly flexible copper strips either in bare or tinned version. They are insulated with high quality mechanical, electrical and self-extinguishing PVC.

Halogen free available

Flexible
at low temperatures

5 year
warranty

Certified according to standards EN 61439-1:2011.
Low Voltage Directive
No. 2014/35/EU



Technical details

Electrolytic copper Cu-ETP 99,90%
Available in plain or tin-plated copper

Insulation

Self-extinguishing UL 94 V-0 black PVC insulation
Elongation: > 200 %
Tensile strength: > 15 N/mm²

Electrical characteristics

Nominal voltage 1000 V AC – 1500 V DC
Dielectric strength of the insulation: > 20 KV/mm
Operating temperature: -40 °C* up to 105 °C*
* not during dynamic pressure



Due to skin effect,
on average

45 %

smaller cross-section
compared to regular
copper cable

Copper cable

150 mm²

1 x Moflex

24 x 1 x 2

48 mm²



320 A

68 %
smaller

Copper cables

2 x 150 mm²

300 mm²

1 x Moflex

32 x 1 x 5

160 mm²



630 A

47 %
smaller

Copper cables

3 x 240 mm²

720 mm²

1 x Moflex

80 x 1 x 6

480 mm²



1250 A

33 %
smaller

In all examples above, intensities of Moflex and regular cable are calculated using the temperature rise value of 50° C.

Remarks about the tables

Description of the order code

E.g., MMC0801001

MM – Moflex

C – red copper

(T - in case of tinned copper)

080 – width

10 – number of sheets

* Products with the length of 3 meters can be ordered separately

** Reduction factor for the use of flexible busbars in parallel (see table on page 67)

When you use the Moflex flexible busbars parallel for the same phase, you need to use the reduction factors shown in the following example.

MMC0500401 Moflex 50x1x4, 200 mm², 732A at ΔT=50

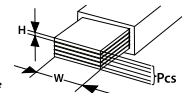
2 flexible busbars in parallel: 732 x1,72 = 1259A

3 flexible busbars in parallel: 732 x2,25 = 1647A

The table on the page 67 indicates the temperature rise produced by chosen current in the given cross section. This calculation does not take into account the heat dissipation from the switchboard.

* If you would like to place an order for **tin plated** copper flexible busbars, please ensure that you modify the third letter in the ordering code to "T".

Technical specification (based on width)



W (mm)	Red copper Order code	Halogen free* Order code	W x H x Pcs	Length*	Package (pcs)	Copper weight per meter (kg)
9	MMC0090201	MMC00902H1	9 x 0,8 x 2	2 m	10	0,128
	MMC0090301	MMC00903H1	9 x 0,8 x 3	2 m	10	0,193
	MMC0090401	MMC00904H1	9 x 0,8 x 4	2 m	10	0,256
	MMC0090501	MMC00905H1	9 x 0,8 x 5	2 m	10	0,321
	MMC0090601	MMC00906H1	9 x 0,8 x 6	2 m	10	0,385
15,5	MMC0160201	MMC01602H1	15,5 x 0,8 x 2	2 m	10	0,214
	MMC0160401	MMC01604H1	15,5 x 0,8 x 4	2 m	10	0,428
	MMC0160601	MMC01606H1	15,5 x 0,8 x 6	2 m	10	0,642
	MMC0161001	MMC01610H1	15,5 x 0,8 x 10	2 m	10	1,071
20	MMC0200201	MMC02002H1	20 x 1 x 2	2 m	5	0,357
	MMC0200301	MMC02003H1	20 x 1 x 3	2 m	5	0,535
	MMC0200401	MMC02004H1	20 x 1 x 4	2 m	5	0,714
	MMC0200501	MMC02005H1	20 x 1 x 5	2 m	5	0,892
	MMC0200601	MMC02006H1	20 x 1 x 6	2 m	5	1,071
	MMC0201001	MMC02010H1	20 x 1 x 10	2 m	5	1,784
24	MMC0240201	MMC02402H1	24 x 1 x 2	2 m	5	0,428
	MMC0240301	MMC02403H1	24 x 1 x 3	2 m	5	0,642
	MMC0240401	MMC02404H1	24 x 1 x 4	2 m	5	0,857
	MMC0240501	MMC02405H1	24 x 1 x 5	2 m	5	1,071
	MMC0240601	MMC02406H1	24 x 1 x 6	2 m	5	1,285
	MMC0240801	MMC02408H1	24 x 1 x 8	2 m	5	1,713
	MMC0241001	MMC02410H1	24 x 1 x 10	2 m	5	2,142
32	MMC0320201	MMC03202H1	32 x 1 x 2	2 m	5	0,571
	MMC0320301	MMC03203H1	32 x 1 x 3	2 m	5	0,857
	MMC0320401	MMC03204H1	32 x 1 x 4	2 m	5	1,142
	MMC0320501	MMC03205H1	32 x 1 x 5	2 m	5	1,428
	MMC0320601	MMC03206H1	32 x 1 x 6	2 m	5	1,713
	MMC0320801	MMC03208H1	32 x 1 x 8	2 m	5	2,284
	MMC0321001	MMC03210H1	32 x 1 x 10	2 m	5	2,851
40	MMC0400201	MMC04002H1	40 x 1 x 2	2 m	5	0,714
	MMC0400301	MMC04003H1	40 x 1 x 3	2 m	5	1,071
	MMC0400401	MMC04004H1	40 x 1 x 4	2 m	5	1,428
	MMC0400501	MMC04005H1	40 x 1 x 5	2 m	5	1,784
	MMC0400601	MMC04006H1	40 x 1 x 6	2 m	5	2,141
	MMC0400801	MMC04008H1	40 x 1 x 8	2 m	5	2,855
	MMC0401001	MMC04010H1	40 x 1 x 10	2 m	5	3,569
50	MMC0500301	MMC0500301	50 x 1 x 3	2 m	2	1,338
	MMC0500401	MMC05004H1	50 x 1 x 4	2 m	2	1,784
	MMC0500501	MMC05005H1	50 x 1 x 5	2 m	2	2,231
	MMC0500601	MMC05006H1	50 x 1 x 6	2 m	2	2,677
	MMC0500801	MMC05008H1	50 x 1 x 8	2 m	2	3,569
	MMC0501001	MMC05010H1	50 x 1 x 10	2 m	2	4,461
63	MMC0630301	MMC06303H1	63 x 1 x 3	2 m	2	1,686
	MMC0630401	MMC06304H1	63 x 1 x 4	2 m	2	2,248
	MMC0630501	MMC06305H1	63 x 1 x 5	2 m	2	2,811
	MMC0630601	MMC06306H1	63 x 1 x 6	2 m	2	3,373
	MMC0630801	MMC06308H1	63 x 1 x 8	2 m	2	4,497
	MMC0631001	MMC06310H1	63 x 1 x 10	2 m	2	5,621
80	MMC0800301	MMC08003H1	80 x 1 x 3	2 m	2	2,141
	MMC0800401	MMC08004H1	80 x 1 x 4	2 m	2	2,851
	MMC0800501	MMC08005H1	80 x 1 x 5	2 m	2	3,569
	MMC0800601	MMC08006H1	80 x 1 x 6	2 m	2	4,283
	MMC0800801	MMC08008H1	80 x 1 x 8	2 m	2	5,710
	MMC0801001	MMC08010H1	80 x 1 x 10	2 m	2	7,138
100	MMC1000401	MMC10004H1	100 x 1 x 4	2 m	2	3,569
	MMC1000501	MMC10005H1	100 x 1 x 5	2 m	2	4,461
	MMC1000601	MMC10006H1	100 x 1 x 6	2 m	2	5,353
	MMC1000801	MMC10008H1	100 x 1 x 8	2 m	2	7,138
	MMC1001001	MMC10010H1	100 x 1 x 10	2 m	2	8,922

Selection of Moflex

ΔT = temperature rise of the Moflex conductor (°C)

T1 = internal temperature of the switchboard (°C)

T2 = temperature of the Moflex conductor (°C)

For example, In = 1000A connection

Step 1: T1 = 35 °C and T2 = 85 °C

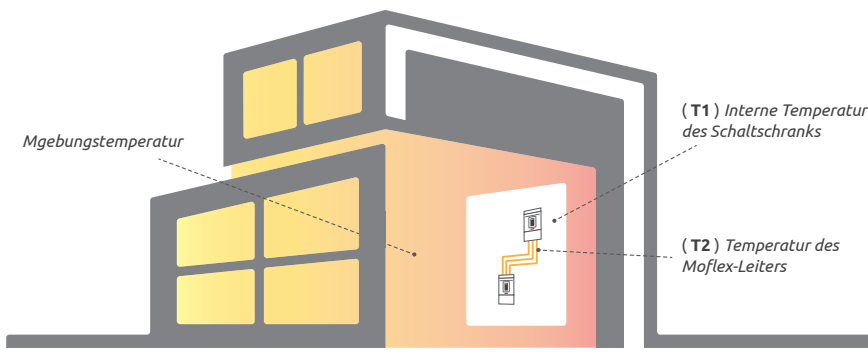
$\Delta T = T2 - T1$

$\Delta T = 85 °C - 35 °C$

$\Delta T = 50 °C$

Step 2: Please find from the page 67 table on the column $\Delta T = 50$ the closest value of the 1000A. MMC0321001 Moflex 32x1x10, 320 mm², 1049A or MMC0630501 Moflex 63x1x5, 315 mm², 1040A.

Step 3: Select the Moflex flexible busbar according to the equipment terminal width.



Moflex saves you time and money



Does not require additional connection parts and saves the time of installation

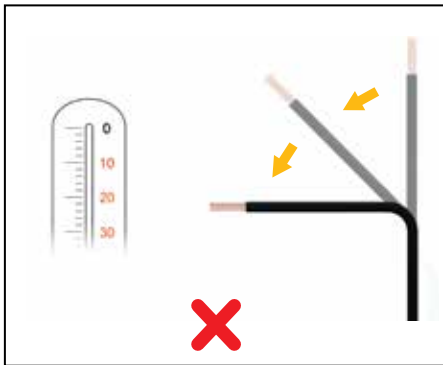


Makes direct connection without additional connectors, enables you to save space in the panel



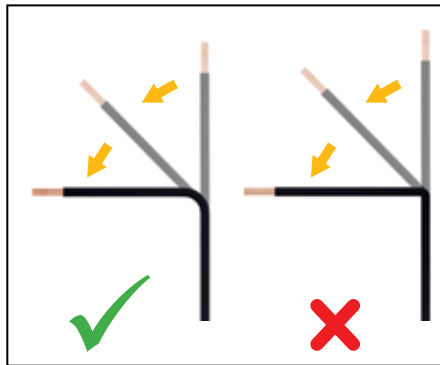
Gives additional flexibility comparing to standard rigid bar and it is easily adapted to unexpected project change

Assembly instructions



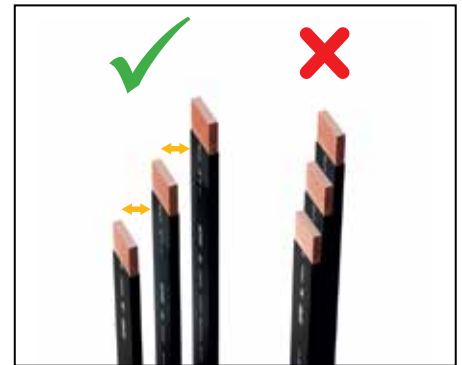
No bending at low temperatures (< 0°C or < 30F)

Elongation of the coating before breakage is reduced at low temperatures. Recommended is bending at room temperature.



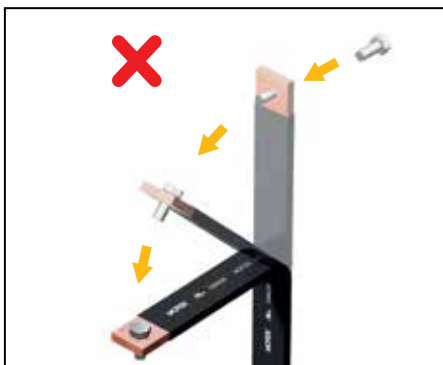
No sharp-edged bending

Recommended inner radius for bending:
busbar thickness 1 - 5 mm: radius 5 mm
busbar thickness 6 - 10 mm: radius = thickness



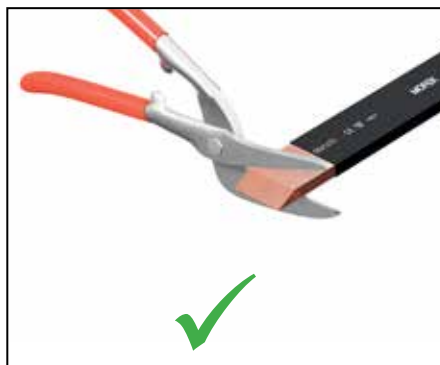
Parallel assembly has influence to heat radiation

Recommended distance between bars = min. 1 x bar width. Please pay attention to correction factors for parallel assembly!

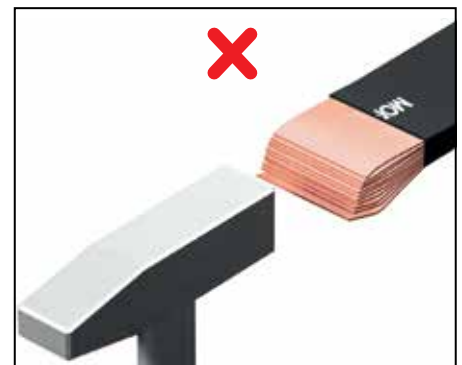


Copper files slide when bending to compensate the different length of inner and outer file

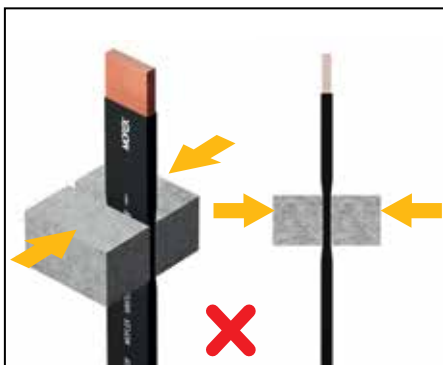
No fixation before bending! It hinders the slide and may lead to burst of PVC-coating.



Bars must be cut if copper slides emerge after bending

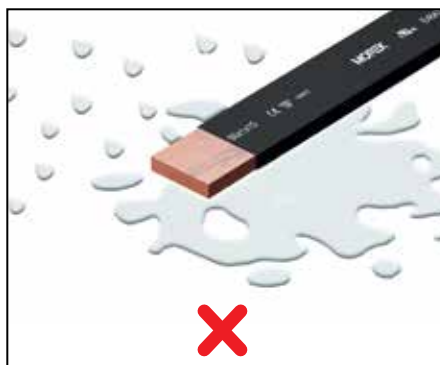


Heavy push back of copper files may cause deformation with resulting damage of PVC-coating



Please avoid crushing of the PVC coating

Damage of coating or reduced wall thickness endangers function of isolation.



Do not expose to dirt, water and humidity

Humidity may invade by the open ends of the busbars. This causes copper oxidation and endangers operating safety.



Do not drill holes exceeding half of the width of the bar

Moflex clamp is designed for connecting Moflex flexible busbars to copper busbar, enabling fastening up to 50 x 10 mm Moflex flexible busbars to 50 x 10 mm copper busbars.

Advantages

- Quick and easy installation
- Ideal for on site modifications
- Allows for excellent electrical contact
- Terminal has visible indication of tightening torque



MFC30-32



MFC40-32



MFC40-50



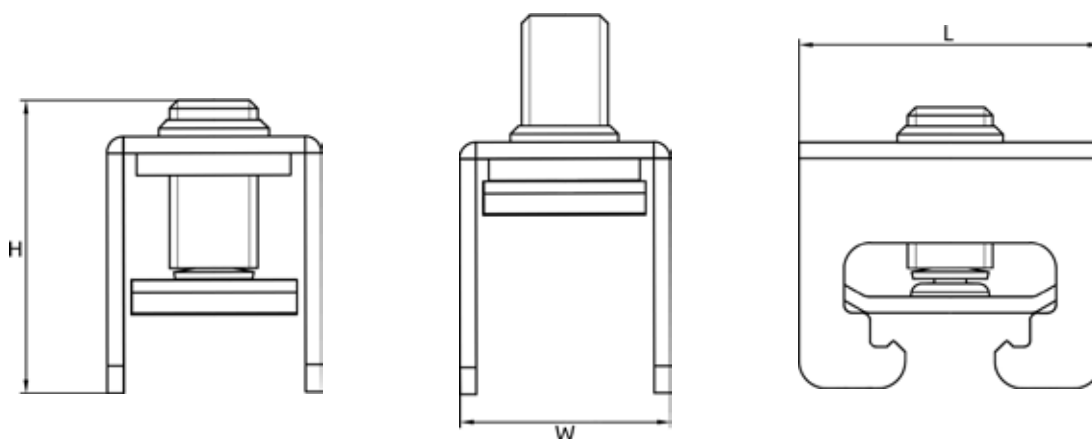
MFC50-50

	MFC3010E32	MFC4010E32	MFC4010E50	MFC5010E50
Mounting Cu busbar (mm)	30x5-10	40x5-10	40x5-10	50x5-10
For Moflex width (mm)	9-32	9-32	9-50	9-50
Moflex max. layers	10	10	10	10

Technical data

Nominal voltage AC / DC (V)	1000	1000	1000	1000
Width / Height / Length (mm)	40 / 49 / 57	40 / 49 / 67	58 / 49 / 67	58 / 49 / 77
Screw, hexagonal key (AV)	No. 8	No. 8	No. 8	No. 8
Tightening torque (Nm)	30	30	35	35
Weight (g)	200	225	275	310
Package (pcs)	3	3	3	3

Dimensions



Sealing and edge protection profiles

Wide range of sealing and edge protection profiles

Custom made profiles available for special applications:

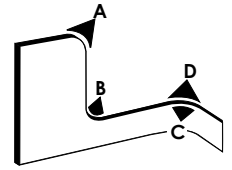
- Low-friction coating
- Fire- / flame-proof profiles
- Hygiene profiles

Profiles in pre-cut lengths of your choice





Edge protection profiles protect transition edges (e.g., cable tray or cabinet racks). They feature a PVC body and come in grey or black. The metal skeleton allows tool-free installation. Two standard versions are available for sheet thicknesses of 1-2mm or 1-4mm, with an operating temperature range of -25°C to +65°C.

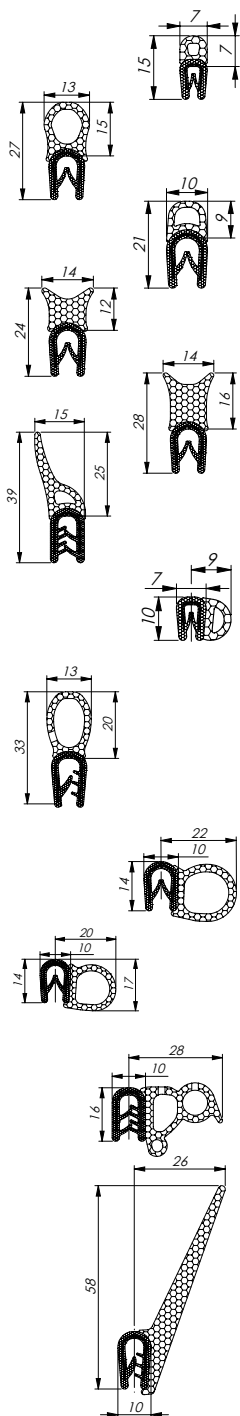
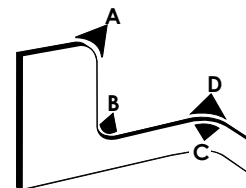


Order code	Color	Clamping range (mm)	The minimum bending radius	Weight (kg)	Package (m)
MCA003AG12	grey	1 - 2	A = 15, B = 15, C = 10, D = 10	7	100
MCA003BG12				0,7	10
MCA002AB12	black	1 - 2	A = 15, B = 15, C = 10, D = 10	7	100
MCA002BB12				0,7	10
MCA015AG12	grey	1 - 4	A = 30, B = 20, C = 20, D = 20	16	100
MCA015BG12				1,6	10
MCA001AB12	black	1 - 4	A = 30, B = 20, C = 20, D = 20	16	100
MCA001BB12				1,6	10

Example of application of sealing and edge protection profiles

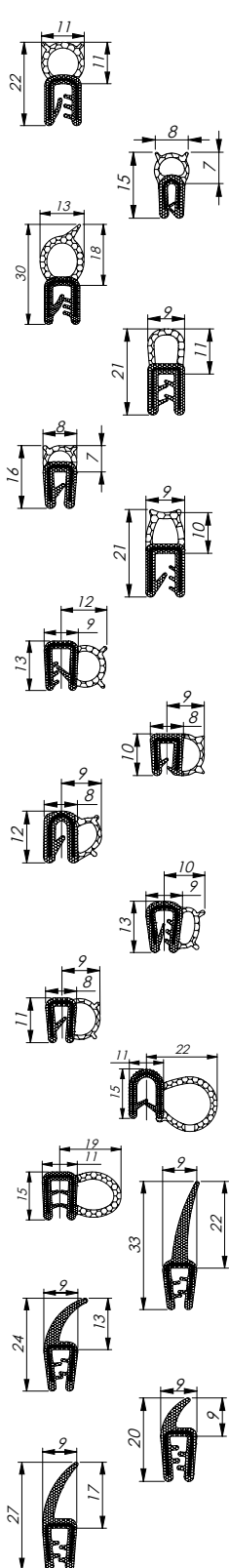
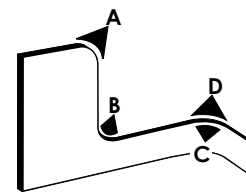


Self-gripping sealing profile made with a black PVC carrier with sealing lip or sealing tube from EPDM. Integrated steel strip core.
 Other colors are available on request.



Order code	Color	Clamping range (mm)	The minimum bending radius	Weight (kg/m)	Package (m)
MCC001AB12	black	1 - 2	A = 20, B = 40, C = 10, D = 10	0,08	100
MCC002AB12	black	1 - 4	A = 60, B = 80, C = 20, D = 20	0,265	50
MCC007AB12	black	1 - 4	A = 70, B = 80, C = 15, D = 15	0,17	50
MCC011AB12	black	1 - 4	A = 50, B = 150, C = 50, D = 50	0,218	50
MCC012AB12	black	1 - 4	A = 50, B = 150, C = 50, D = 50	0,085	50
MCC013AB12	black	1,5 - 3,5	A = 80, B = 150, C = 30, D = 30	0,257	50
MCB005AB12	black	1 - 2	A = 20, B = 15, C = 30, D = 30	0,085	100
MCC008AB12		1 - 2,5		0,2306	
MCC009AB12	black	2 - 4	A = 80, B = 100, C = 20, D = 20	0,24	50
MCC010AB12		4 - 6		0,224	
MCB004AB12	black	1 - 4	A = 50, B = 30, C = 100, D = 120	0,2	50
MCB002AB12	black	1 - 4	A = 60, B = 50, C = 120, D = 120	0,265	50
MCB011AB12		1 - 2,5		0,22	
MCB012AB12	black	2,5 - 4	A = 80, B = 80, C = 140, D = 140	0,28	50
MCB013AB12		4 - 6	A = 80, B = 80, C = 140, D = 140 Min. 1000 m / order	0,31	
MCB038AB12		1 - 2,5		0,412	
MCC004AB12	black	2,5 - 4	A = 80, B = -, C = 120, D = 120	0,352	25
MCC005AB12		4 - 6		0,352	

Self-gripping sealing profile with a black EPDM rubber carrier and a sealing lip and / or sealing tube from sponge-rubber. Integrated steel strip core or steel wire core.



Order code	Color	Clamping range (mm)	The minimum bending radius	Weight (kg/m)	Package (m)
MCC014AB12	black	1 - 3	A = 50, B = 180, C = 30, D = 30	0,145	100
MCC017AB12	black	0,5 - 1,5	A = 50, B = 80, C = 25, D = 25	0,089	100
MCC019AB12	black	1 - 2,5	A = 100, B = 180, C = 25, D = 25	0,17	100
MCC020AB12		2,5 - 4		0,2	100
MCC021AB12	black	1 - 2,5	A = 60, B = 120, C = 25, D = 25	0,19	100
MCC023AB12	black	1 - 2	A = 50, B = 60, C = 20, D = 20	0,14	100
MCC024AB12	black	1 - 3	A = 50, B = 200, C = 25, D = 25	0,14	50
MCB019AB12	black	2	A = 50, B = 20, C = 120, D = 40	0,1293	100
MCB022AB12	black	1 - 2,5	A = 20, B = 50, C = 20, D = 60	0,1	100
MCB025AB12	black	0,8 - 2,5	A = 40, B = 40, C = 100, D = 60	0,13	100
MCB026AB12	black	2	A = 30, B = 40, C = 30, D = 60	0,13	100
MCB032AB12	black	1 - 2	A = 100, B = 200, C = 100, D = 60	0,113	100
MCB021AB12	black	1 - 3,5	A = 200, B = 80, C = 200, D = 200	0,265	50
MCB030AB12	black	1,5 - 3	A = 80, B = 60, C = 200, D = 80	0,182	4 x 25
MCC016AB12	black	1 - 2,5	A = 150, B = 250, C = 20, D = 20	0,176	50
MCC018AB12	black	1 - 2,5	A = 60, B = 250, C = 25, D = 70	0,18	3 x 50
MCC022AB12	black	1 - 2	A = 60, B = 200, C = 20, D = 20	0,184	100
MCC025AB12	black	1 - 3	A = 80, B = 250, C = 25, D = 60	0,184	100

Plastic cable glands

| IP68

| Polyamide

| Vibration- and UV-resistant

| Halogen-free

| Easy to assemble



Technical specifications

Material

- Cap nut and gland body: polyamide PA6 V2
- Sealing ring: TPV

Properties

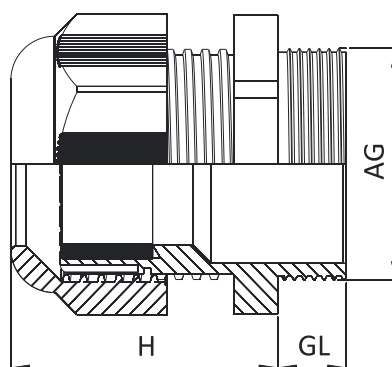
- Connection thread: metric (EN 60423) / PG (DIN 40430)
- Protection class: IP68 at up to 5 bar
- Temperature range: -20 °C +100 °C; -30 °C +150 °C (short term)
- Vibration resistance
- UV resistance
- Easy to assemble
- Halogen free



Order code	Thread (AG)	Color	Shade	Dimensions (mm)		Hex (mm)	Cable diameter (mm)	Weight (g)	Package (pcs)
				H	GL				
MBP2ST12L0	M 12 x 1,5	Grey	RAL 7035	24	8	15	3-6,5	3,5	100
MBP2ST12G0		Grey	RAL 7001						
MBP2ST12B0		Black	RAL 9005						
MBP2ST16L0	M 16 x 1,5	Grey	RAL 7035	28	8	19	4-8	5,85	100
MBP2ST16G0		Grey	RAL 7001						
MBP2ST16B0		Black	RAL 9005						
MBP2ST16L1	M 16 x 1,5	Grey	RAL 7035	29	10	22	5-10	8,15	100
MBP2ST16G1		Grey	RAL 7001						
MBP2ST16B1		Black	RAL 9005						
MBP2ST20L0	M 20 x 1,5	Grey	RAL 7035	29	10	24	6-12	10,35	100
MBP2ST20G0		Grey	RAL 7001						
MBP2ST20B0		Black	RAL 9005						
MBP2ST20L1	M 20 x 1,5	Grey	RAL 7035	29	10	24	4-10	10,55	100
MBP2ST20G1		Grey	RAL 7001						
MBP2ST20B1		Black	RAL 9005						
MBP2ST20L2	M 20 x 1,5	Grey	RAL 7035	33	10	27	10-14	13,11	100
MBP2ST20G2		Grey	RAL 7001						
MBP2ST20B2		Black	RAL 9005						
MBP2ST25L0	M 25 x 1,5	Grey	RAL 7035	38	10	33	13-18	21	50
MBP2ST25G0		Grey	RAL 7001						
MBP2ST25B0		Black	RAL 9005						
MBP2ST32L0	M 32 x 1,5	Grey	RAL 7035	41	10	42	18-25	36,4	25
MBP2ST32G0		Grey	RAL 7001						
MBP2ST32B0		Black	RAL 9005						
MBP2ST40L0	M 40 x 1,5	Grey	RAL 7035	51	10	53	22-32	66,45	10
MBP2ST40G0		Grey	RAL 7001						
MBP2ST40B0		Black	RAL 9005						
MBP2ST50L0	M 50 x 1,5	Grey	RAL 7035	53	18	60	30-38	88,11	5
MBP2ST50G0		Grey	RAL 7001						
MBP2ST50B0		Black	RAL 9005						
MBP2ST63L0	M 63 x 1,5	Grey	RAL 7035	55	18	70	34-44	98	5
MBP2ST63G0		Grey	RAL 7001						
MBP2ST63B0		Black	RAL 9005						

Order code	Thread (AG)	Color	Shade	Dimensions (mm)		Hex (mm)	Cable diameter (mm)	Weight (g)	Package (pcs)
				H	GL				
MBP1ST07L0	PG 7	Grey ●	RAL 7035	24	8	15	3-6,5	3,6	100
MBP1ST07G0		Grey ●	RAL 7001						
MBP1ST07B0		Black ●	RAL 9005						
MBP1ST09L0	PG 9	Grey ●	RAL 7035	28	8	19	4-8	5,8	100
MBP1ST09G0		Grey ●	RAL 7001						
MBP1ST09B0		Black ●	RAL 9005						
MBP1ST11L0	PG 11	Grey ●	RAL 7035	29	8	22	5-10	7,8	100
MBP1ST11G0		Grey ●	RAL 7001						
MBP1ST11B0		Black ●	RAL 9005						
MBP1ST13L0	PG 13,5	Grey ●	RAL 7035	29	9	24	6-12	9,1	100
MBP1ST13G0		Grey ●	RAL 7001						
MBP1ST13B0		Black ●	RAL 9005						
MBP1ST13L1	PG 13,5	Grey ●	RAL 7035	29	9	24	4-10	9,3	100
MBP1ST13G1		Grey ●	RAL 7001						
MBP1ST13B1		Black ●	RAL 9005						
MBP1ST16L0	PG 16	Grey ●	RAL 7035	33	9	27	10-14	12	100
MBP1ST16G0		Grey ●	RAL 7001						
MBP1ST16B0		Black ●	RAL 9005						
MBP1ST21L0	PG 21	Grey ●	RAL 7035	38	11	33	13-18	19,6	50
MBP1ST21G0		Grey ●	RAL 7001						
MBP1ST21B0		Black ●	RAL 9005						
MBP1ST29L0	PG 29	Grey ●	RAL 7035	41	11	42	18-25	32,7	25
MBP1ST29G0		Grey ●	RAL 7001						
MBP1ST29B0		Black ●	RAL 9005						
MBP1ST36L0	PG 36	Grey ●	RAL 7035	51	13	53	22-32	65,5	10
MBP1ST36G0		Grey ●	RAL 7001						
MBP1ST36B0		Black ●	RAL 9005						
MBP1ST42L0	PG 42	Grey ●	RAL 7035	53	13	60	30-38	78,3	5
MBP1ST42G0		Grey ●	RAL 7001						
MBP1ST42B0		Black ●	RAL 9005						
MBP1ST48L0	PG 48	Grey ●	RAL 7035	55	14	65	34-44	89,1	5
MBP1ST48G0		Grey ●	RAL 7001						
MBP1ST48B0		Black ●	RAL 9005						

Dimensions



Technical specifications

Material

























- Cap nut and gland body: polyamide PA6 V2
- Sealing ring: TPV

Properties

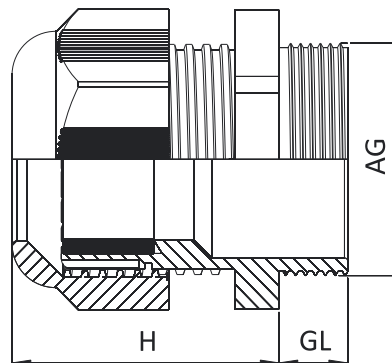
- Connection thread: metric (EN 60423) / PG (DIN 40430)
- Protection class: IP68 at up to 5 bar
- Temperature range: -20 °C +100 °C; -30 °C +150 °C (short term)
- Vibration resistance
- UV resistance
- Easy to assemble
- Halogen free



Order code	Thread (AG)	Color	Shade	Dimensions (mm)		Hex (mm)	Cable diameter (mm)
				H	GL		
MBP2LT12L0	M 12 x 1,5	Grey ●	RAL 7035	24	15	15	3-6,5
MBP2LT12G0		Grey ●	RAL 7001				
MBP2LT12B0		Black ●	RAL 9005				
MBP2LT16L0	M 16 x 1,5	Grey ●	RAL 7035	29	15	22	4-8
MBP2LT16G0		Grey ●	RAL 7001				
MBP2LT16B0		Black ●	RAL 9005				
MBP2LT16L1	M 16 x 1,5	Grey ●	RAL 7035	28	15	19	5-10
MBP2LT16G1		Grey ●	RAL 7001				
MBP2LT16B1		Black ●	RAL 9005				
MBP2LT20L0	M 20 x 1,5	Grey ●	RAL 7035	29	15	24	6-12
MBP2LT20G0		Grey ●	RAL 7001				
MBP2LT20B0		Black ●	RAL 9005				
MBP2LT20L1	M 20 x 1,5	Grey ●	RAL 7035	29	15	24	4-10
MBP2LT20G1		Grey ●	RAL 7001				
MBP2LT20B1		Black ●	RAL 9005				
MBP2LT20L2	M 20 x 1,5	Grey ●	RAL 7035	33	15	27	10-14
MBP2LT20G2		Grey ●	RAL 7001				
MBP2LT20B2		Black ●	RAL 9005				
MBP2LT25L0	M 25 x 1,5	Grey ●	RAL 7035	38	15	33	13-18
MBP2LT25G0		Grey ●	RAL 7001				
MBP2LT25B0		Black ●	RAL 9005				
MBP2LT32L0	M 32 x 1,5	Grey ●	RAL 7035	41	18	42	18-25
MBP2LT32G0		Grey ●	RAL 7001				
MBP2LT32B0		Black ●	RAL 9005				
MBP2LT40L0	M 40 x 1,5	Grey ●	RAL 7035	51	18	53	22-32
MBP2LT40G0		Grey ●	RAL 7001				
MBP2LT40B0		Black ●	RAL 9005				

Order code	Thread (AG)	Color	Shade	Dimensions (mm)		Hex (mm)	Cable diameter (mm)
				H	GL		
MBP1LT07L0	PG 7	Grey 	RAL 7035	24	15	15	3-6,5
MBP1LT07G0		Grey 	RAL 7001				
MBP1LT07B0		Black 	RAL 9005				
MBP1LT09L0	PG 9	Grey 	RAL 7035	28	15	19	4-8
MBP1LT09G0		Grey 	RAL 7001				
MBP1LT09B0		Black 	RAL 9005				
MBP1LT11L0	PG 11	Grey 	RAL 7035	29	15	22	5-10
MBP1LT11G0		Grey 	RAL 7001				
MBP1LT11B0		Black 	RAL 9005				
MBP1LT11L1	PG 11	Grey 	RAL 7035	29	10	22	5-10
MBP1LT11G1		Grey 	RAL 7001				
MBP1LT11B1		Black 	RAL 9005				
MBP1LT13L0	PG 13,5	Grey 	RAL 7035	29	15	24	6-12
MBP1LT13G0		Grey 	RAL 7001				
MBP1LT13B0		Black 	RAL 9005				
MBP1LT13L1	PG 13,5	Grey 	RAL 7035	29	15	24	4-10
MBP1LT13G1		Grey 	RAL 7001				
MBP1LT13B1		Black 	RAL 9005				
MBP1LT16L0	PG 16	Grey 	RAL 7035	33	15	27	10-14
MBP1LT16G0		Grey 	RAL 7001				
MBP1LT16B0		Black 	RAL 9005				
MBP1LT21L0	PG 21	Grey 	RAL 7035	38	15	33	13-18
MBP1LT21G0		Grey 	RAL 7001				
MBP1LT21B0		Black 	RAL 9005				

Dimensions



Technical specifications

Material

- Cap nut and gland body: polyamide PA6 V2
- Hexagonal lock nut: polyamide PA6 V2 + 30% GF
- Sealing ring: TPV
- O-ring: NBR

Properties

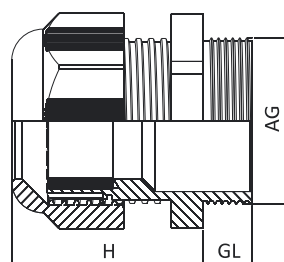
- Connection thread: metric (EN 60423) / PG (DIN 40430)
- Protection class: IP68 at up to 5 bar
- Temperature range: -20 °C +100 °C; -30 °C +150 °C (short term)
- Vibration resistance
- UV resistance
- Easy to assemble
- Halogen free



Order code	Thread (AG)	Color	Shade	Dimensions (mm)		Hex (mm)	Cable diameter (mm)	Weight (g)	Package (pcs)
				H	GL				
MBP2SS12L0	M 12 x 1,5	Grey	RAL 7035	24	8	15	3-6,5	5	10
MBP2SS16L0	M 16 x 1,5	Grey	RAL 7035	28	8	19	4-8	7	10
MBP2SS16L1	M 16 x 1,5	Grey	RAL 7035	29	10	22	5-10	10	10
MBP2SS20L0	M 20 x 1,5	Grey	RAL 7035	29	10	24	6-12	13	10
MBP2SS20L1	M 20 x 1,5	Grey	RAL 7035	29	10	24	4-10	13	10
MBP2SS20L2	M 20 x 1,5	Grey	RAL 7035	33	10	27	10-14	15	10
MBP2SS25L0	M 25 x 1,5	Grey	RAL 7035	38	10	33	13-18	24	10
MBP2SS32L0	M 32 x 1,5	Grey	RAL 7035	41	10	42	18-25	43	5
MBP2SS40L0	M 40 x 1,5	Grey	RAL 7035	51	10	53	22-32	78	5
MBP2SS50L0	M 50 x 1,5	Grey	RAL 7035	53	18	60	30-38	101	5
MBP2SS63L0	M 63 x 1,5	Grey	RAL 7035	55	18	70	34-44	116	5

Order code	Thread (AG)	Color	Shade	Dimensions (mm)		Hex (mm)	Cable diameter (mm)	Weight (g)	Package (pcs)
				H	GL				
MBP1SS07L0	PG 7	Grey	RAL 7035	24	8	15	3-6,5	5	10
MBP1SS09L0	PG 9	Grey	RAL 7035	28	8	19	4-8	7	10
MBP1ST11L0	PG 11	Grey	RAL 7035	29	8	22	5-10	10	10
MBP1SS13L0	PG 13,5	Grey	RAL 7035	29	9	24	6-12	12	10
MBP1SS13L1	PG 13,5	Grey	RAL 7035	29	9	24	4-10	12	10
MBP1SS16L0	PG 16	Grey	RAL 7035	33	9	27	10-14	15	10
MBP1SS21L0	PG 21	Grey	RAL 7035	38	11	33	13-18	24	10
MBP1SS29L0	PG 29	Grey	RAL 7035	41	11	42	18-25	39	5
MBP1SS36L0	PG 36	Grey	RAL 7035	51	13	53	22-32	80	5
MBP1SS42L0	PG 42	Grey	RAL 7035	53	13	60	30-38	94	5
MBP1SS48L0	PG 48	Grey	RAL 7035	55	14	65	34-44	107	5

Dimensions



Technical specifications

Material

- Cap nut and gland body: polyamide PA6 V2
- Sealing ring: TPV special seal for bend resistance

Properties

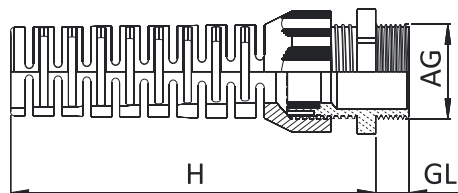
- Connection thread: metric (EN 60423) / PG (DIN 40430)
- Protection class: IP68 at up to 5 bar
- Temperature range: -20 °C +100 °C; -30 °C +150 °C (short term)
- With spiral top for bend protection
- For highly movable flexible cables
- Vibration resistance
- UV resistance
- Easy to assemble
- Halogen free



Order code	Thread (AG)	Color	Shade	Dimensions (mm)		Hex (mm)	Cable diameter (mm)	Weight (g)	Package (pcs)
				H	GL				
MBP2BR12L0	M 12 x 1,5	Grey	RAL 7035	57	8	15	3-6,5	4,4	100
MBP2BR16L0	M 16 x 1,5	Grey	RAL 7035	70	8	19	4-8	7,8	100
MBP2BR16L1	M 16 x 1,5	Grey	RAL 7035	81	10	22	5-10	11,3	50
MBP2BR20L0	M 20 x 1,5	Grey	RAL 7035	89	10	24	6-12	14,9	50
MBP2BR20L1	M 20 x 1,5	Grey	RAL 7035	107	10	27	10-14	20,1	50
MBP2BR25L0	M 25 x 1,5	Grey	RAL 7035	124	10	33	13-18	34,8	25

Order code	Thread (AG)	Color	Shade	Dimensions (mm)		Hex (mm)	Cable diameter (mm)	Weight (g)	Package (pcs)
				H	GL				
MBP1BR07L0	PG 7	Grey	RAL 7035	57	8	15	3-6,5	4,2	100
MBP1BR09L0	PG 9	Grey	RAL 7035	70	8	19	4-8	7,4	100
MBP1BR11L0	PG 11	Grey	RAL 7035	81	8	22	5-10	10,8	50
MBP1BR13L0	PG 13,5	Grey	RAL 7035	89	9	24	6-12	14	50
MBP1BR16L0	PG 16	Grey	RAL 7035	107	9	27	10-14	20,5	50
MBP1BR21L0	PG 21	Grey	RAL 7035	124	11	33	13-18	33,7	25

Dimensions



Technical specifications

Material

- Blind stop: polyamide PA6 V2
- Sealing ring: NBR (on request)

Properties

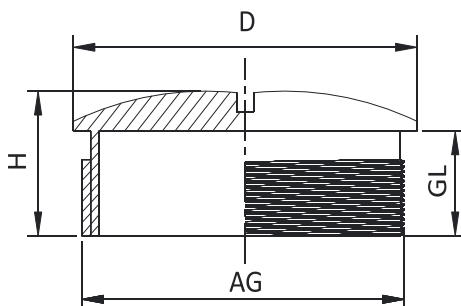
- For unused threaded holes
- Connection thread: metric (EN 60423) / PG (DIN 40430)
- Protection class: IP54 / IP68 (with o-ring)
- Temperature range: -20 °C +100 °C; -30 °C +150 °C (short term)
- UV resistance
- Halogen free



Order code	Thread (AG)	Color	Shade	Dimensions (mm)			Weight (g)	Package (pcs)
				H	GL	D		
MBP2BS12L0	M 12 x 1,5	Grey ●	RAL 7035	8,5	6	15	0,66	1000
MBP2BS16L0	M 16 x 1,5	Grey ●	RAL 7035	10	7	20	1,27	1000
MBP2BS20L0	M 20 x 1,5	Grey ●	RAL 7035	10	7	24	1,75	500
MBP2BS25L0	M 25 x 1,5	Grey ●	RAL 7035	14	10	30	3,55	300
MBP2BS32L0	M 32 x 1,5	Grey ●	RAL 7035	14	10	37	4,85	200
MBP2BS40L0	M 40 x 1,5	Grey ●	RAL 7035	15	10	48	9,11	100

Order code	Thread (AG)	Color	Shade	Dimensions (mm)			Weight (g)	Package (pcs)
				H	GL	D		
MBP1BS07L0	PG 7	Grey ●	RAL 7035	8	6	15	0,66	1000
MBP1BS09L0	PG 9	Grey ●	RAL 7035	8,2	6	19	0,9	1000
MBP1BS11L0	PG 11	Grey ●	RAL 7035	8,5	6	22	1,27	500
MBP1BS13L0	PG 13,5	Grey ●	RAL 7035	8,5	6	25	1,44	500
MBP1BS16L0	PG 16	Grey ●	RAL 7035	8,5	6	27	1,75	500
MBP1BS21L0	PG 21	Grey ●	RAL 7035	12	8	33	3,55	300
MBP1BS29L0	PG 29	Grey ●	RAL 7035	11,3	8	44	4,85	200
MBP1BS36L0	PG 36	Grey ●	RAL 7035	14,3	10	55	9,11	100

Dimensions



Technical specifications

Material

- Hexagonal lock nut: polyamide PA6 V2 + 30% GF
- Connection thread: metric (EN 60423) / PG (DIN 40430)

Properties

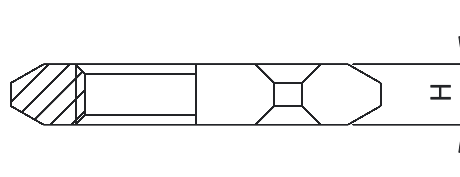
- For tightening of cable glands
- Temperature range: -20 °C +100 °C; -30 °C +150 °C (short term)
- UV resistance
- Halogen free



Order code	Thread (AG)	Color	Shade	Dimensions (mm)		Weight (g)	Package (pcs)
				H	Hex (mm)		
MBP2LS12L0	M 12 x 1,5	Grey ●	RAL 7035	5	18	1,05	1000
MBP2LS12G0		Grey ●	RAL 7001				
MBP2LS12B0		Black ●	RAL 9005				
MBP2LS16L0	M 16 x 1,5	Grey ●	RAL 7035	5	22	1,3	1000
MBP2LS16G0		Grey ●	RAL 7001				
MBP2LS16B0		Black ●	RAL 9005				
MBP2LS20L0	M 20 x 1,5	Grey ●	RAL 7035	6	26	2	500
MBP2LS20G0		Grey ●	RAL 7001				
MBP2LS20B0		Black ●	RAL 9005				
MBP2LS25L0	M 25 x 1,5	Grey ●	RAL 7035	6	32	3	500
MBP2LS25G0		Grey ●	RAL 7001				
MBP2LS25B0		Black ●	RAL 9005				
MBP2LS32L0	M 32 x 1,5	Grey ●	RAL 7035	7	41	5,86	200
MBP2LS32G0		Grey ●	RAL 7001				
MBP2LS32B0		Black ●	RAL 9005				
MBP2LS40L0	M 40 x 1,5	Grey ●	RAL 7035	7	50	11	100
MBP2LS40G0		Grey ●	RAL 7001				
MBP2LS40B0		Black ●	RAL 9005				
MBP2LS50L0	M 50 x 1,5	Grey ●	RAL 7035	8	60	13	75
MBP2LS50G0		Grey ●	RAL 7001				
MBP2LS50B0		Black ●	RAL 9005				
MBP2LS63L0	M 63 x 1,5	Grey ●	RAL 7035	8	75	17,5	50
MBP2LS63G0		Grey ●	RAL 7001				
MBP2LS63B0		Black ●	RAL 9005				

Order code	Thread (AG)	Color	Shade	Dimensions (mm)		Weight (g)	Package (pcs)
				H	Hex (mm)		
MBP1LS07L0	PG 7	Grey ●	RAL 7035	5	19	1,2	1000
MBP1LS07G0		Grey ●	RAL 7001				
MBP1LS07B0		Black ●	RAL 9005				
MBP1LS09L0	PG 9	Grey ●	RAL 7035	5	22	1,2	1000
MBP1LS09G0		Grey ●	RAL 7001				
MBP1LS09B0		Black ●	RAL 9005				
MBP1LS09L1	PG 9	Grey ●	RAL 7035	5	19	1,2	1000
MBP1LS09G1		Grey ●	RAL 7001				
MBP1LS09B1		Black ●	RAL 9005				
MBP1LS11L0	PG 11	Grey ●	RAL 7035	5	24	1,5	1000
MBP1LS11G0		Grey ●	RAL 7001				
MBP1LS11B0		Black ●	RAL 9005				
MBP1LS13L0	PG 13,5	Grey ●	RAL 7035	6	27	2,37	500
MBP1LS13G0		Grey ●	RAL 7001				
MBP1LS13B0		Black ●	RAL 9005				
MBP1LS16L0	PG 16	Grey ●	RAL 7035	6	30	3	500
MBP1LS16G0		Grey ●	RAL 7001				
MBP1LS16B0		Black ●	RAL 9005				
MBP1LS21L0	PG 21	Grey ●	RAL 7035	7	36	4,5	250
MBP1LS21G0		Grey ●	RAL 7001				
MBP1LS21B0		Black ●	RAL 9005				
MBP1LS29L0	PG 29	Grey ●	RAL 7035	7	46	6,21	200
MBP1LS29G0		Grey ●	RAL 7001				
MBP1LS29B0		Black ●	RAL 9005				
MBP1LS36L0	PG 36	Grey ●	RAL 7035	8	60	14	100
MBP1LS36G0		Grey ●	RAL 7001				
MBP1LS36B0		Black ●	RAL 9005				
MBP1LS42L0	PG 42	Grey ●	RAL 7035	8	65	15	50
MBP1LS42G0		Grey ●	RAL 7001				
MBP1LS42B0		Black ●	RAL 9005				
MBP1LS48L0	PG 48	Grey ●	RAL 7035	8	70	18	50
MBP1LS48G0		Grey ●	RAL 7001				
MBP1LS48B0		Black ●	RAL 9005				

Dimensions



Technical specifications

Material

- Polyamide PA6
- Temperature range: -20 °C +100 °C
- For blinding and sealing already installed cable glands



Order code	PG Thread	M Thread	Color	Shade	Weight (g)	Package (pcs)
MBP0PT07B0	PG 7	M 12 x 1,5	Black ●	RAL 9005	0,2	1000
MBP0PT09B0	PG 9	M 16 x 1,5	Black ●	RAL 9005	0,6	1000
MBP0PT11B0	PG 11	M 16 x 1,5	Black ●	RAL 9005	0,8	1000
MBP0PT13B0	PG 13,5	M 20 x 1,5	Black ●	RAL 9005	1,4	500
MBP0PT16B0	PG 16	M 20 x 1,5	Black ●	RAL 9005	1,8	500
MBP0PT21B0	PG 21	M 25 x 1,5	Black ●	RAL 9005	2,6	250
MBP0PT29B0	PG 29	M 32 x 1,5	Black ●	RAL 9005	4,8	200
MBP0PT36B0	PG 36	M 40 x 1,5	Black ●	RAL 9005	8,6	100
MBP0PT42B0	PG 42	M 50 x 1,5	Black ●	RAL 9005	10,6	50
MBP0PT48B0	PG 48	M 63 x 1,5	Black ●	RAL 9005	13,8	50

*NB! The gland sizes are given for plastic cable glands. In case of using metal cable glands, the protection tap has to be **one size smaller** than indicated above!*

O-rings for cable glands

Technical specifications

Material

- NBR (70 sh)
- Temperature range: -30 °C +100 °C



Order code	Thread	Inner diameter (mm)	Height (mm)	Weight (g)	Package (pcs)
MBP1OR07B0	PG 7 / M 12	9	1,5	5	1000
MBP1OR09B0	PG 9 / M 16	11	1,5	9	1000
MBP1OR11B0	PG 11	13	1,5	10	1000
MBP1OR16B0	PG 16	18	1,5	13	1000
MBP1OR21B0	PG 21 / M 32	22	2	29	1000
MBP1OR36B0	PG 36 / M50	40	2	50	300
MBP1OR42B0	PG 42	48	2	62	100
MBP2OR20B0	M 20 / PG 13,5	16	15	12	1000
MBP2OR25B0	M 25	19	2	30	1000
MBP2OR40B0	M 40 / PG 29	23	2	37	300
MBP2OR63B0	M 63 / PG 48	53	2	72	100

Metal cable glands

| IP68

| Brass, stainless steel, EMC

| Vibration- and UV-resistant

| Heavy duty

| Easy to assemble



Technical specifications

Material

- Cap nut and gland body: nickel-plated brass
- Clamping insert: polyamide PA6 V2
- Sealing ring: TPV
- O-ring: NBR

Properties

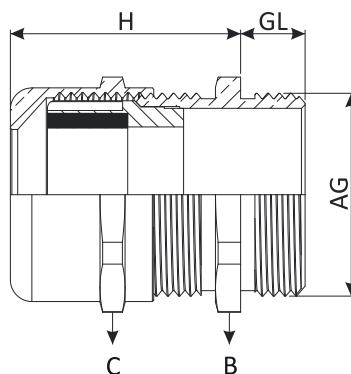
- Connection thread: metric (EN 60423) / PG (DIN 40430)
- Protection class: IP68 at up to 5 bar
- Temperature range: -20 °C +100 °C; -40 °C +150 °C (short term)
- Easy to assemble
- Long thread versions available
- High strain relief



Order code	Thread (AG)	Dimensions (mm)		Hex B (mm)	Hex C (mm)	Cable diameter (mm)	Weight (g)	Package (pcs)
		H	GL					
MBM2ST12E0	M 12 x 1,5	22	6	14	14	3-6,5	12	100
MBM2ST16E0	M 16 x 1,5	23	7	18	17	4-8	18,4	50
MBM2ST20E0	M 20 x 1,5	26,5	8	22	22	6-12	29,2	50
MBM2ST20E1	M 20 x 1,5	26,5	8	22	22	4-10	30,05	50
MBM2ST25E0	M 25 x 1,5	28	8	27	24	10-14	36	25
MBM2ST32E0	M 32 x 1,5	31,5	9	34	30	13-18	67	20
MBM2ST40E0	M 40 x 1,5	38	9	43	40	18-25	138,6	10
MBM2ST50E0	M 50 x 1,5	43	9	55	50	22-32	231,4	5
MBM2ST63E0	M 63 x 1,5	48	14	68	64	33-44	414,4	5

Order code	Thread (AG)	Dimensions (mm)		Hex (mm)	Cable diameter (mm)	Weight (g)	Package (pcs)
		H	GL				
MBM1ST07E0	PG 7	22	6	14	3-6,5	11,8	100
MBM1ST09E0	PG 9	23	6	17	4-8	16,6	50
MBM1ST11E0	PG 11	24,5	6	20	5-10	23,2	50
MBM1ST13E0	PG 13,5	26,5	6,5	22	6-12	29,6	50
MBM1ST13E1	PG 13,5	26,5	6,5	22	4-10	29,8	50
MBM1ST16E0	PG 16	28	6,5	24	10-14	31,6	50
MBM1ST21E0	PG 21	31,5	7	30	13-18	55	25
MBM1ST29E0	PG 29	38	8	40	18-25	115,6	20
MBM1ST36E0	PG 36	43	10	50	22-32	198,4	10
MBM1ST42E0	PG 42	47	12	57	30-38	231,8	5
MBM1ST48E0	PG 48	48	14	64	33-44	344,8	5

Dimensions



Technical specifications

Material

- Cap nut and gland body: stainless steel (1.4305 / AISI303-1.4404 / AISI316L)
- Clamping insert: polyamide PA6 V2
- Sealing ring: TPV
- O-ring: NBR

Properties

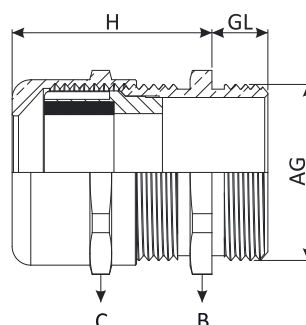
- Connection thread: metric (EN60423) / PG (DIN 40430)
- Protection class: IP68 - 5 bar
- Temperature range: -20 °C +100 °C; -40 °C +150 °C (short term)
- High corrosion resistance
- Smooth surfaces
- Easy to assemble
- Food, pharmaceutical industry and on-/offshore applications



Order code	Thread (AG)	Dimensions (mm)		Hex B (mm)	Hex C (mm)	Cable diameter (mm)	Weight (g)	Package (pcs)
		H	GL					
MBS2ST12E0	M 12 x 1,5	22	6	14	14	3-6,5	12,5	100
MBS2ST16E0	M 16 x 1,5	23	7	18	17	4-8	18,5	50
MBS2ST20E0	M 20 x 1,5	26,5	8	22	22	6-12	26	50
MBS2ST20E1	M 20 x 1,5	26,5	8	22	22	4-10	26,2	50
MBS2ST25E0	M 25 x 1,5	28	8	27	24	10-14	41	25
MBS2ST32E0	M 32 x 1,5	31,5	9	36	30	13-18	70	20
MBS2ST40E0	M 40 x 1,5	38	9	46	41	18-25	144,5	10
MBS2ST50E0	M 50 x 1,5	43	9	55	50	22-32	255	5
MBS2ST63E0	M 63 x 1,5	48	14	70	65	33-44	395,6	5

Order code	Thread (AG)	Dimensions (mm)		Hex (mm)	Cable diameter (mm)	Weight (g)	Package (pcs)
		H	GL				
MBS1ST07E0	PG 7	22	6	14	3-6,5	12,5	100
MBS1ST09E0	PG 9	23	6	17	4-8	16,6	50
MBS1ST11E0	PG 11	24,5	6	22	5-10	23,2	50
MBS1ST13E0	PG 13,5	26,5	6,5	22	6-12	29,6	50
MBS1ST13E1	PG 13,5	26,5	6,5	22	4-10	29,8	50
MBS1ST16E0	PG 16	28	6,5	24	10-14	31,6	50
MBS1ST21E0	PG 21	31,5	7	30	13-18	55	25
MBS1ST29E0	PG 29	38	8	41	18-25	115,6	20
MBS1ST36E0	PG 36	43	10	50	22-32	145	10
MBS1ST42E0	PG 42	47	12	60	30-38	255	5
MBS1ST48E0	PG 48	48	14	65	33-34	345	5

Dimensions



Technical specifications

Material

- Cap nut and gland body: nickel-plated brass
- Sealing ring: TPV / silicone / EPDM
- O-ring: NBR / TPV / silicone / EPDM

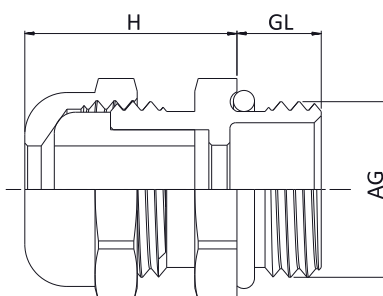
Properties

- Connection thread: metric (EN60423) / PG (DIN 40430)
- Protection class: IP68 at up to 3 bar
- Temperature range: -20 °C +100 °C; -40 °C +150 °C
- Easy to assemble
- Long thread versions available
- Lighting industry



Order code	Thread (AG)	Dimensions (mm)		Hex (mm)	Cable diameter (mm)	Package (pcs)
		H	GL			
MBM2MI06E0	M 6 x 1,0	10,5	6	8	2-3	100
MBM2MI08E0	M 8 x 1,25	15	6	14	2-4	100
MBM2MI08E1	M 8 x 1,25	15	6	11	3-5	100
MBM2MI10E0	M 10 x 1,5	15	6	14	2-4	100
MBM2MI10E1	M 10 x 1,5	15	6	14	3-6	100
MBM2MI10E2	M 10 x 1,5	14,5	6	12	4-6	100
MBM2MI12E0	M 12 x 1,5	15	6	14	2-4	100
MBM2MI12E1	M 12 x 1,5	15	6	14	3-6	100
MBM1MI07E0	PG 7	15	6	14	2-4	100
MBM1MI07E1	PG 7	15	6	14	3-6	100
MBM1MI09E0	PG 9	16,5	6	17	4-6	100
MBM1MI09E1	PG 9	16,5	6	17	6-8	100

Dimensions



Technical specifications

Material

- Cap nut and gland body: nickel-plated brass
- Clamping insert: polyamide PA6 V2
- Sealing ring: TPV
- EMC spring: AISI301
- O-ring: NBR

Properties

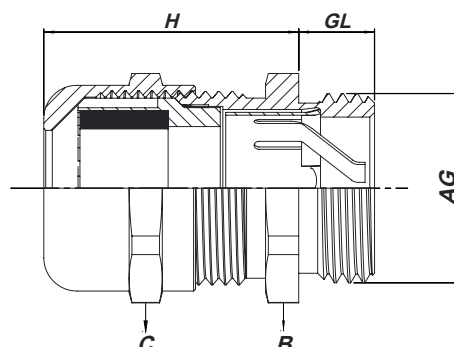
- Connection thread: metric (EN60423) / PG (DIN 40430)
- Protection class: IP68 - 5 bar
- Temperature range: -20 °C +100 °C; -40 °C +150 °C
- Easy to assemble
- For cables with shielding
- Suitable for cables with and without inner sheath
- Highly conductive



Order code	Thread (AG)	Dimensions (mm)		Hex B (mm)	Hex C (mm)	Cable diameter (mm)	Weight (g)	Package (pcs)
		H	GL					
MBM2EC12E0	M 12 x 1,5	22	6	14	14	3-6,5	12,5	100
MBM2EC16E0	M 16 x 1,5	23	7	18	17	4-8	18,5	50
MBM2EC20E0	M 20 x 1,5	26,5	8	22	22	6-12	26,5	50
MBM2EC25E0	M 25 x 1,5	28	8	27	24	10-14	42	25
MBM2EC32E0	M 32 x 1,5	32,5	9	34	30	13-18	72,5	20
MBM2EC40E0	M 40 x 1,5	38	9	43	40	18-25	144,5	10
MBM2EC50E0	M 50 x 1,5	48	9	55	50	22-32	255	5
MBM2EC63E0	M 63 x 1,5	53	14	68	64	34-44	395,5	5

Order code	Thread (AG)	Dimensions (mm)		Hex (mm)	Cable diameter (mm)	Weight (g)	Package (pcs)
		H	GL				
MBM1EC07E0	PG 7	22	6	14	3-6,5	16,5	100
MBM1EC09E0	PG 9	23	6	17	4-8	18,5	50
MBM1EC11E0	PG 11	26	6	20	5-10	25	50
MBM1EC13E0	PG 13,5	26,5	6,5	22	6-12	30	50
MBM1EC16E0	PG 16	28	6,5	24	10-14	37	50
MBM1EC21E0	PG 21	32,5	7	30	13-18	62,5	25
MBM1EC29E0	PG 29	38	8	40	18-25	128	20
MBM1EC36E0	PG 36	48	9	50	22-32	232,5	10
MBM1EC42E0	PG 42	48	12	58	30-38	252,5	5
MBM1EC48E0	PG 48	52	14	64	34-44	355	5

Dimensions



Technical specifications

Material

- Cap nut and gland body: nickel-plated brass
- Sealing ring: EPDM
- O-ring: NBR - TPV

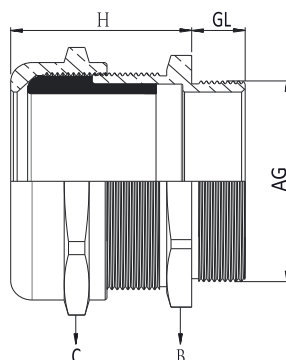
Properties

- Connection thread: metric (EN60423)
- Protection class: IP68
- Temperature range: -20 °C +100 °C; -40 °C +150 °C
- High impact and temperature resistance
- Easy to assemble
- Wide cable range
- XL cables



Order code	Thread (AG)	Dimensions (mm)		Hex B (mm)	Hex C (mm)	Cable diameter (mm)	Weight (g)	Package (pcs)
		H	GL					
MBM2XL63E0	M 63 x 1,5	48	15	70	75	45-55	515	5
MBM2XL75E0	M 75 x 1,5	48	20	85	75	45-55	700	2
MBM2XL75E1	M 75 x 1,5	58	20	90	90	50-63	700	2
MBM2XL80E0	M 80 x 2,0	58	20	90	90	50-63	870	2
MBM2XL90E0	M 90 x 2,0	61	20	100	100	60-70	1109	2
MBM3XL21E0	2 ½"	48	20	85	75	45-55	590,2	2
MBM3XL21E1	2 ½"	58	20	90	90	50-63	950	2
MBM3XL30E0	3"	61	20	100	100	60-70	1093,4	2

Dimensions



Technical specifications

Material

- Screw plug: nickel-plated brass
- Sealing ring: NBR

Properties

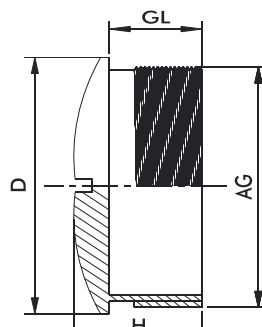
- Connection thread: metric (EN60423) / PG (DIN 40430)
- Protection class: IP68
- Temperature range: -40 °C +100 °C
- For unused threaded holes
- Assembly with a screwdriver
- Machine and equipment manufacturing
- Electric motor manufacturing



Order code	Thread (AG)	Dimensions (mm)			Weight (g)	Package (pcs)
		H	GL	D		
MBM2BS12E0	M 12 x 1,5	7,5	5	14	4,5	100
MBM2BS16E0	M 16 x 1,5	8	5	18	5,3	50
MBM2BS20E0	M 20 x 1,5	9,5	6,5	22	14,5	50
MBM2BS25E0	M 25 x 1,5	11	7	28	17	25
MBM2BS32E0	M 32 x 1,5	12	8	35	24,6	20
MBM2BS40E0	M 40 x 1,5	13	8,5	44	40,4	10
MBM2BS50E0	M 50 x 1,5	15	9	54	56,2	10
MBM2BS63E0	M 63 x 1,5	16	10	67	102,6	5

Order code	Thread (AG)	Dimensions (mm)			Weight (g)	Package (pcs)
		H	GL	D		
MBM1BS07E0	PG 7	8	5	14	3,7	100
MBM1BS09E0	PG 9	9	6	17	5,4	50
MBM1BS11E0	PG 11	9	6	20	7,9	50
MBM1BS13E0	PG 13,5	9,5	6,5	22	9,8	50
MBM1BS16E0	PG 16	9,5	6,5	24	15	50
MBM1BS21E0	PG 21	11	7	30	18,9	25
MBM1BS29E0	PG 29	12	8	39	69,4	20
MBM1BS36E0	PG 36	15	9	50	62,5	10
MBM1BS42E0	PG 42	16	10	57	86,1	5
MBM1BS48E0	PG 48	16	10	64	96,6	5

Dimensions



Technical specifications

Material

- Hexagonal locknut: nickel-plated brass
- Connection thread: metric (EN60423) / PG (DIN 40430)
- Temperature range: -60 °C +200 °C

Properties

- For tightening of cable glands



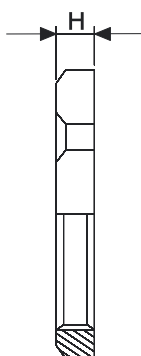
Dimensions (mm)

Order code	Thread (AG)	H	Hex (mm)	Weight (g)	Package (pcs)
MBM2LS12E0	M 12 x 1,5	2,8	15	1,6	100
MBM2LS16E0	M 16 x 1,5	3	19	3	50
MBM2LS20E0	M 20 x 1,5	3,5	24	5,4	50
MBM2LS25E0	M 25 x 1,5	3,5	30	8,2	25
MBM2LS32E0	M 32 x 1,5	4	36	10,6	20
MBM2LS40E0	M 40 x 1,5	4	45	16,4	10
MBM2LS50E0	M 50 x 1,5	5	55	26,8	5
MBM2LS63E0	M 63 x 1,5	5	68	37	5
MBM2LS75E0	M 75 x 1,5	7	90	150,4	10
MBM2LS80E0	M 80 x 2,0	7	90	165	10
MBM2LS90E0	M 90 x 2,0	10	100	202	10
MBM3LS21E0	2 ½"	10	80	122,2	5
MBM3LS30E0	3"	10	100	223,4	5

Dimensions (mm)

Order code	Thread (AG)	H	Hex (mm)	Weight (g)	Package (pcs)
MBM1LS07E0	PG 7	2,8	15	1,8	100
MBM1LS09E0	PG 9	2,8	18	2,2	50
MBM1LS11E0	PG 11	3	21	2,8	50
MBM1LS13E0	PG 13,5	3	23	3,4	50
MBM1LS16E0	PG 16	3	26	4,4	50
MBM1LS21E0	PG 21	3,5	32	7,4	25
MBM1LS29E0	PG 29	4	40	10,2	20
MBM1LS36E0	PG 36	5	50	17,2	10
MBM1LS42E0	PG 42	5	60	32,6	5
MBM1LS48E0	PG 48	5,5	64	35,8	5

Dimensions



Technical specifications

Material

- Hexagonal locknut: stainless steel AISI303 / AISI316L
- Connection thread: metric (EN60423) / PG (DIN 40430)
- Temperature range: -60 °C +200 °C

Properties

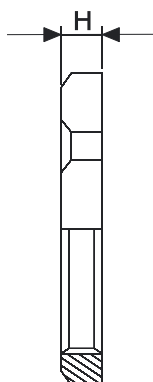
- For tightening of stainless steel cable glands



Order code	Thread (AG)	Dimensions (mm)		Weight (g)	Package (pcs)
		H	Hex (mm)		
MBS2LS12E0	M 12 x 1,5	2,8	15	2	100
MBS2LS16E0	M 16 x 1,5	3	19	4	50
MBS2LS20E0	M 20 x 1,5	3,5	24	5	50
MBS2LS25E0	M 25 x 1,5	3,5	30	8,5	25
MBS2LS32E0	M 32 x 1,5	4	36	12	20
MBS2LS40E0	M 40 x 1,5	4	46	17	10
MBS2LS50E0	M 50 x 1,5	5	55	28	5
MBS2LS63E0	M 63 x 1,5	5	70	37	5

Order code	Thread (AG)	Dimensions (mm)		Weight (g)	Package (pcs)
		H	Hex (mm)		
MBS1LS07E0	PG 7	2,8	15	2	100
MBS1LS09E0	PG 9	2,8	18	3	50
MBS1LS11E0	PG 11	3	22	4	50
MBS1LS13E0	PG 13,5	3	24	5	50
MBS1LS16E0	PG 16	3	27	7	50
MBS1LS21E0	PG 21	3,5	32	8,5	25
MBS1LS29E0	PG 29	4	41	10,2	20
MBS1LS36E0	PG 36	5	50	10	17
MBS1LS42E0	PG 42	5	60	28	5
MBS1LS48E0	PG 48	5,5	65	35	5

Dimensions



Technical specifications

Material

- Hexagonal locknut: nickel-plated brass; tainless steel
AISI303 / AISI316L
- Connection thread: metric (EN60423) / PG (DIN 40430)
- Temperature range: -60 °C +200 °C

Properties

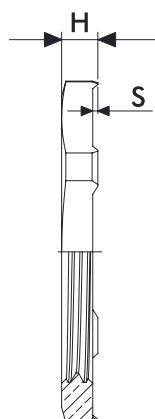
- For tightening of EMC cable glands



Order code Brass	Thread (AG)	Dimensions (mm)		Hex (mm)	Weight (g)	Package (pcs)
		H	S			
MBM2LS12E1	M 12 x 1,5	3,3	0,5	15	3	100
MBM2LS16E1	M 16 x 1,5	3,5	0,5	19	4	50
MBM2LS20E1	M 20 x 1,5	3,5	0,5	24	5	50
MBM2LS25E1	M 25 x 1,5	3,5	0,5	30	8,5	25
MBM2LS32E1	M 32 x 1,5	4,0	0,5	36	11	20
MBM2LS40E1	M 40 x 1,5	4,6	0,6	45	17	10
MBM2LS50E1	M 50 x 1,5	5,6	0,6	55	28	5
MBM2LS63E1	M 63 x 1,5	6,7	0,7	70	37	5
MBM2LS75E1	M 75 x 1,5	8,0	1,0	85	109	5

Order code Brass	Thread (AG)	Dimensions (mm)		Hex (mm)	Weight (g)	Package (pcs)
		H	S			
MBS1LS07E1	PG 7	3,3	0,5	15	3	100
MBS1LS09E1	PG 9	3,3	0,5	18	4	50
MBS1LS11E1	PG 11	3,5	0,5	21	5	50
MBS1LS13E1	PG 13,5	3,5	0,5	23	8	50
MBS1LS16E1	PG 16	3,5	0,5	26	11	50
MBS1LS21E1	PG 21	4,0	0,5	32	15	25
MBS1LS29E1	PG 29	4,6	0,6	40	19	20
MBS1LS36E1	PG 36	5,6	0,6	50	28	10
MBS1LS42E1	PG 42	5,6	0,6	60	37	5
MBS1LS48E1	PG 48	6,1	0,6	65	45	5

Dimensions



Single grommets are cable grommets with various design for leading through both low and medium power current cables as well as various types of tubing. These are suitable for in- and outdoor applications and available for both PG-and mm-openings.

Single grommets are available in many different polymers with different characteristics, such as weather, UV-and ozone resistance, oil resistance and RoHS compliance.

Models T-VET and T-GET are new design which can be used as sealing plug. Both these designs give absolute protection against dust and strong jets of water and also against effects of immersion between 15 cm and 1 m (IP67).

Single grommets T-VET and T-GET are available as standard of TPE material and are inspected and certified by SGS Fimko, the Finnish authority in charge of electrical equipment safety standards.



Installation



Make a hole of appropriate size to blind plate or knock-out plate. Avoid rough and sharp edges.



Place the grommet on the hole and pull it firmly to its place.



Make a small hole into the membrane using a screwdriver or cut the top of the cone using side cutters.



Push the cable or tube through the guide hole.



(Back side) Pull the cable or tube back for some 20 mm to lock it.

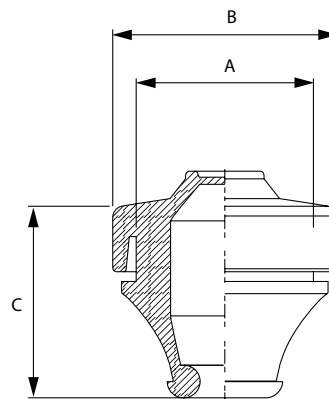


(Front side) Pull the cable or tube back for some 20 mm to lock it.

Single grommets T-VET route cables and tubing for low and medium power currents. They are suitable for indoor and outdoor use and fit PG openings. The T-VET model features a double seal design, allowing it to be used as a plug.

Technical specifications

- IP67 total protection against ingress of dust and protection against the effects of immersion between 15,0 cm and 1,0 m
- Made of TPE material
- Flame resistant UL 94 V-0 (look at product table)
- Plate wall thickness between 1 - 4 mm.
- Available for cables with 3 to 35 mm diameter
- Operating temperature from -40 °C to +100 °C



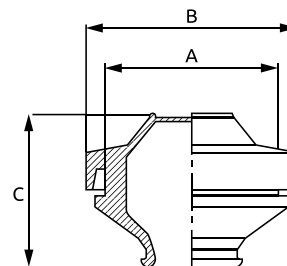
Order code	Type	Cable diameter (mm)	Color	Shade	Classification	Dimensions (mm)			Weight (g)	Package (pcs)
						A	B	C		
MBB0105G11	PG7	3 - 5	Grey ●	RAL 7042	UL 94 V-0	13	20	17	2,7	50
MBB0105X11	PG7		Grey ●	RAL 7035					3,4	
MBB0105B11	PG7		Black ●						UL 94 V-0, oil resistant	
MBB0107G11	PG9	5 - 7	Grey ●	RAL 7042	UL 94 V-0	16	20	19	3,1	50
MBB0107X11	PG9		Grey ●	RAL 7035					3,5	
MBB0107B11	PG9		Black ●						UL 94 V-0, oil resistant	
MBB0110G11	PG11	7 - 10	Grey ●	RAL 7042	UL 94 V-0	19	24	21	4,3	50
MBB0110X11	PG11		Grey ●	RAL 7035					5	
MBB0110B11	PG11		Black ●						UL 94 V-0, oil resistant	
MBB0114G11	PG16	10 - 14	Grey ●	RAL 7042	UL 94 V-0	23	29	23	6,7	50
MBB0114X11	PG16		Grey ●	RAL 7035					7,8	
MBB0114B11	PG16		Black ●						UL 94 V-0, oil resistant	
MBB0120G11	PG21	14 - 20	Grey ●	RAL 7042	UL 94 V-0	29	34	26	8	25
MBB0120X11	PG21		Grey ●	RAL 7035					9,2	
MBB0120B11	PG21		Black ●						UL 94 V-0, oil resistant	
MBB0126G11	PG29	20 - 26	Grey ●	RAL 7042	UL 94 V-0	38	46	30	15	25
MBB0126X11	PG29		Grey ●	RAL 7035					17,4	
MBB0126B11	PG29		Black ●						UL 94 V-0, oil resistant	
MBB0135G11	PG36	26 - 35	Grey ●	RAL 7042	UL 94 V-0	48	57,5	33	25	10
MBB0135X11	PG36		Grey ●	RAL 7035					28	
MBB0135B11	PG36		Black ●						UL 94 V-0, oil resistant	

Look more about materials at Comparison of materials on page 148.

Single grommets T-GET route cables and tubing for low and medium power currents. They are suitable for indoor and outdoor use and fit mm openings. The T-GET model features a double seal design, allowing it to be used as a plug.

Technical specifications

- IP67 total protection against ingress of dust and protection against the effects of immersion between 15,0 cm and 1,0 m
- Made of TPE material
- Flame resistant UL 94 V-0 (look at product table)
- Plate wall thickness between 1 - 5 mm and 1,2 - 5,2 mm.
- Available for cables with 3 to 60 mm diameter
- Operating temperature from -40 °C to +100 °C



Order code	Type	Cable diameter (mm)	Color	Shade	Classification	Dimensions (mm)			Plate thickness (mm)	Weight (g)	Package (pcs)
						A	B	C			
MBB0305G11	M12	3 - 5	Grey ●	RAL 7042		12	19	20,9	1 - 5	2,8	50
MBB0305X11	M12		Grey ●	RAL 7035	UL 94 V-0						
MBB0305B11	M12		Black ●		UL 94 V-0, oil resistant						
MBB0307G11	M16	5 - 7	Grey ●	RAL 7042		16	23	21,6	1 - 5	3,2	50
MBB0307X11	M16		Grey ●	RAL 7035	UL 94 V-0						
MBB0307B11	M16		Black ●		UL 94 V-0, oil resistant						
MBB0310G11	M20	7 - 10	Grey ●	RAL 7042		20	27	24,3	1 - 5	4,3	50
MBB0310X11	M20		Grey ●	RAL 7035	UL 94 V-0						
MBB0310B11	M20		Black ●		UL 94 V-0, oil resistant						
MBB0314G11	M25	10 - 14	Grey ●	RAL 7042		25	32	24,8	1 - 5	8	50
MBB0314X11	M25		Grey ●	RAL 7035	UL 94 V-0						
MBB0314B11	M25		Black ●		UL 94 V-0, oil resistant						
MBB0320G11	M32	14 - 20	Grey ●	RAL 7042		32	39	28,1	1 - 5	12	25
MBB0320X11	M32		Grey ●	RAL 7035	UL 94 V-0						
MBB0320B11	M32		Black ●		UL 94 V-0, oil resistant						
MBB0326G11	M40	20 - 26	Grey ●	RAL 7042		40	46	31,8	1 - 5	16,4	25
MBB0326X11	M40		Grey ●	RAL 7035	UL 94 V-0						
MBB0326B11	M40		Black ●		UL 94 V-0, oil resistant						
MBB0335G11	M50	26 - 35	Grey ●	RAL 7042		50	57	39,7	1 - 5	24	10
MBB0335X11	M50		Grey ●	RAL 7035	UL 94 V-0						
MBB0335B11	M50		Black ●		UL 94 V-0, oil resistant						
MBB0345G11	M60	30 - 45	Grey ●	RAL 7042		60	69	59,6	1 - 5	54	5
MBB0345X11	M60		Grey ●	RAL 7035	UL 94 V-0						
MBB0345B11	M60		Black ●		UL 94 V-0, oil resistant						
MBB0360B11	M80	40 - 60	Black ●		UL 94 V-0, oil resistant	80	89	78,2	1,2 - 5,2	110	5

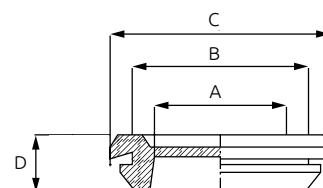
Look more about materials at Comparison of materials on page 148.

Single grommets T-GD and T-GDM route cables and tubing for low and medium power currents. They are suitable for indoor and outdoor use. T-GD grommets fit PG openings, while T-GDM grommets fit metric openings (mm).



Technical specifications

- IP54 protection against dust and water splashed from all directions.
- Made of TPE material
- Flame resistant UL 94 V-0
- Plate wall thickness between 1 - 2 mm and 1,5 - 3 mm.
- Available for cables with 9 to 69 mm diameter
- Operating temperature from -40 °C to +100 °C



T-GD

Order code	Type	Cable diameter (mm)	Color	Dimensions (mm)				Plate thickness (mm)	Weight (g)	Package (pcs)
				A	B	C	D			
MBB0509B11	PG9	9	Black ●	9	15,5	20	7	1 - 2	2	100
MBB0511B11	PG11	11	Black ●	11	18,5	23	7	1 - 2	3	100
MBB0513B11	PG13,5	13,5	Black ●	13,5	20,5	25	7	1 - 2	4	100
MBB0516B11	PG16	16	Black ●	16	22,5	28	7	1 - 2	4	100
MBB0521B11	PG21	21	Black ●	21	28	35	9	1 - 2	12	100
MBB0529B11	PG29	29	Black ●	29	37	44	10	1 - 2	16	100
MBB0536B11	PG36	36	Black ●	36	47	54	12	1,5 - 3	17	100
MBB0548B11	PG48	48	Black ●	48	60	68	12	1,5 - 3	54	50
MBB0553B11	PG53	53	Black ●	53	64	75	12	1,5 - 3	110	50
MBB0569B11	PG69	69	Black ●	69	79	90	12	1,5 - 3	110	30

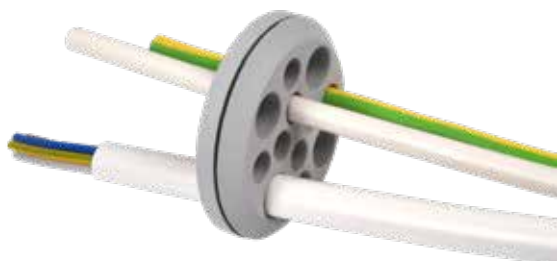
Look more about materials at Comparison of materials on page 148.

T-GDM

Order code	Type	Cable diameter (mm)	Color	Dimensions (mm)				Plate thickness (mm)	Weight (g)	Package (pcs)
				A	B	C	D			
MBB0609B11	M12	9	Black ●	9	12,2	17	7	1 - 2	2	100
MBB0611B11	M16	11	Black ●	11	16,2	21	7	1 - 2	3	100
MBB0613B11	M20	13,5	Black ●	13,5	20,5	25	7	1 - 2	4	100
MBB0616B11	M25	16	Black ●	16	25,2	31	7	1 - 2	4	100
MBB0621B11	M32	21	Black ●	21	32,2	40	9	1 - 2	12	100
MBB0629B11	M40	29	Black ●	29	40,2	48	10	1 - 2	16	100
MBB0636B11	M50	36	Black ●	36	50,2	58	12	1,5 - 3	17	100
MBB0648B11	M60	48	Black ●	48	60,2	68	12	1,5 - 3	54	50
MBB0653B11	M70	53	Black ●	53	70,2	81	12	1,5 - 3	110	50
MBB0669B11	M80	69	Black ●	69	80,2	91	12	1,5 - 3	110	30

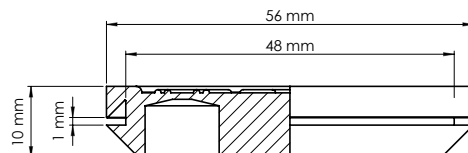
Look more about materials at Comparison of materials on page 148.

Single grommets MGD route low and medium power cables and tubing. Made of TPE-S material, they are suitable for indoor and outdoor use. These grommets are designed to fit standard M50 openings.



Technical specifications

- IP54 protection against dust and water splashed from all directions.
- Made of EPDM material
- Plate wall thickness between 1 - 2 mm and 1,5 - 3 mm.
- Available for cables with 3 to 16 mm diameter
- Service temperature for unstressed material -40 °C to +100 °C



Order code	Color	Cable diameter	Weight (g)	Package (pcs)
MBB0712L11	Light Grey (RAL 7035)	8 x 9 mm & 4 x 13 mm	20	50
MBB0707L11	Light Grey (RAL 7035)	4 x 10 mm & 3 x 16 mm	20	50

Look more about materials at *Comparison of materials* on page 148.

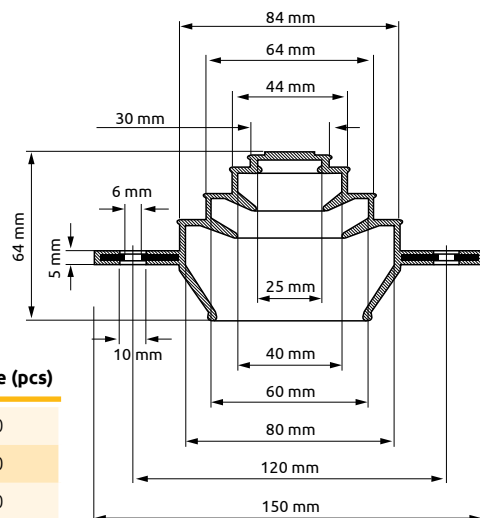
Single grommets M 20-80

Single grommets M 20-80 route low and medium power cables and tubing, specifically designed for cables with larger diameters up to 80 mm. They are suitable for both indoor and outdoor applications.



Technical specifications

- Made of TPE material
- Flame resistant UL 94 V-0
- Plate wall thickness 1,5 - 3 mm.
- Available for cables with 20 to 80 mm diameter
- Service temperature for unstressed material -40 °C to +100 °C



Order code	Color	Classification	Weight (g)	Package (pcs)
MBA6N80G11	Grey (RAL 7042)		260	50
MBA6N80X11	Light Grey (RAL 7035)	UL 94 V-0	260	50
MBA6N80B11	Black	UL 94 V-0, Oil resistant	260	50

Look more about materials at *Comparison of materials* on page 148.

Cable entry plates

Fast and easy
assembly

Dual sealing
according to IP65/66

UL94 V0 self-extinguishing
options available



MC (IP66/67) cable entry plates are designed to route and seal cables without connectors. They offer quick and easy assembly by creating a small hole in the thin membrane and pushing the cables through. These plates are suitable for standard cut-outs for FL21 and can be securely screwed in place.

Advantages

- Fast and easy assembly
- High cable density
- Dual cable sealing with IP66/IP67
- Excellent IP protection when cables are bent
- Screw mounting
- Suitable for both indoor and outdoor use

Technical specifications

- IP rating: IP66 and IP67
- Material: Thermoplastic elastomer
- Material base frame: Metal reinforcement electroplated steel
- Color: Black or Grey (RAL7035)
- Flame class: UL94-V0, self-extinguishing option available
- Temperature: -40 °C...+100 °C
- Properties: Halogen free, Silicone free
- Mounting type: Screw type mounting
- Diam. of screw holes: 9,5 mm

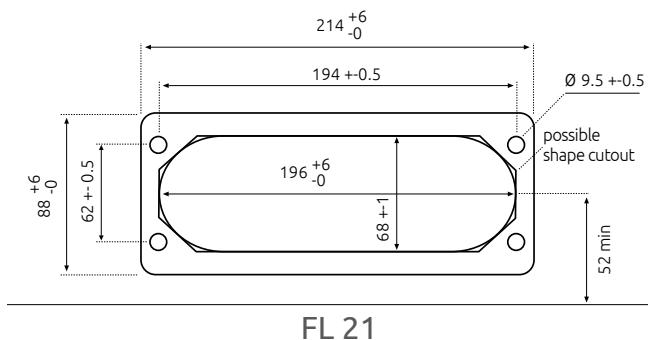
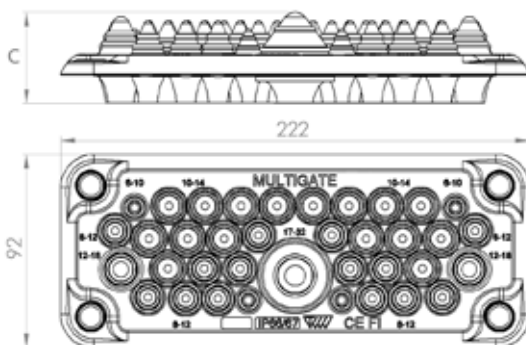


Description	Package (pcs)	MC 3/7 (IP66/67)	MC 25/27 (IP66/67)	MC 35/37 (IP66/67)
Light Grey RAL 7035 4 plastic pins included	40	MBA1C07G11	MBA1C27G11	MBA1C37G11
Light Grey RAL 7035 UL 94 V-0 approved	60	MBA1N07X11	MBA1N27X11	MBA1N37X11
Black UL 94 V-0 approved	60	MBA1N07B11	MBA1N27B11	MBA1N37B11

Technical data	MC 3/7 (IP66/67)	MC 25/27 (IP66/67)	MC 35/37 (IP66/67)
Service temperature	-40 to + 100 °C	-40 to + 100 °C	-40 to + 100 °C
Dimensions height C (mm)	76	43	43
Number of cables (pcs) x cable diameter (mm)	4 x 8 - 16 2 x 24 - 54 1 x 30 - 60 - -	4 x 5 - 7 4 x 8 - 12 13 x 10 - 14 4 x 14 - 20 2 x 20 - 26	4 x 6 - 10 14 x 8 - 12 16 x 10 - 14 2 x 12 - 18 1 x 17 - 32
Total number of cables	7	27	37
Mounting hole size	C - FL 21	C - FL 21	C - FL 21
Weight (g)	206	229	233

Mounting pins are available on request.
Look more about materials at Comparison of materials on page 148.

Dimensions of cable entry plates and mounting hole



MC (IP65) cable entry plates are designed to route and seal cables without connectors. Assembly is quick and easy by creating a small hole in the thin membrane and pushing the cables through. They are suitable for standard FL21 cut-outs and can be securely screwed in place.

Advantages

- Fast and easy assembly
- High cable density
- Dual cable sealing with IP65
- Hygienic design - free of dirt-collecting recesses
- Screw mounting
- Suitable for both indoor and outdoor use

Technical specifications

- IP rating: IP65
- Material: Thermoplastic elastomer
- Material base frame: Metal reinforcement electroplated steel
- Color: Black or Grey (RAL7035)
- Flame class: UL94-V0, self-extinguishing option available
- Oil-resistant option available
- Temperature: -40 °C...+100 °C
- Properties: Halogen free, Silicone free
- Mounting type: Screw type mounting
- Diam. of screw holes: 9,5 mm



MC 3 (IP65)



MC 25 (IP65)



MC 35 (IP65)

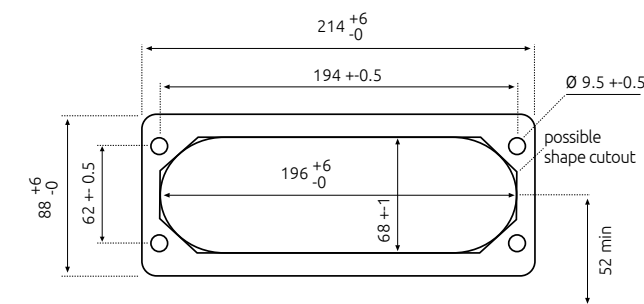
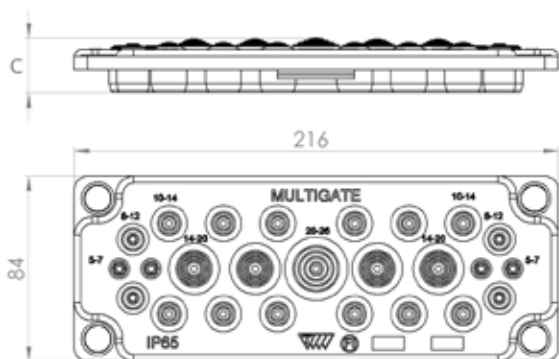
Light Grey RAL 7035 4 plastic pins included	●	MBA1C03L11	MBA1C25L11	MBA1C35L11
Black	●	MBA1N03A11	MBA1N25A11	MBA1N35A11
Black, UL94 V0, oil-resistant	●	MBA1N03B11	MBA1N25B11	MBA1N35B11

Technical data			
Service temperature	-40 to + 100° C	-40 to + 100° C	-40 to + 100° C
Dimensions (mm)	214 x 82	216 x 84	216 x 84
Number of cables (pcs) x cable diameter (mm)	4 x 8 - 12 (IP54) 2 x 24 - 54 (IP65) 1 x 30 - 60 (IP65) - -	4 x 5 - 7 4 x 8 - 12 12 x 10 - 14 4 x 14 - 20 1 x 20 - 26	2 x 6 - 10 14 x 7 - 12 16 x 10 - 14 2 x 12 - 18 1 x 17 - 32
Total number of cables	7	25	35
Mounting hole size	C - FL 21	C - FL 21	C - FL 21
Weight (g)	199	230	220
Package (pcs)	100	100	100

Mounting pins are available on request.

Look more about materials at Comparison of materials on page 148.

Dimensions of cable entry plates and mounting hole



FL 21

MC 4 (IP65)

- MC 4 (IP65) cable entry plates are designed for route and seal cables without connectors
- The assembly of the MC 4 (IP65) with cables or pneumatic hoses can be done quick and easy. Simply make a small hole in the thin membrane and push the cables through

Advantages

- Fast and easy assembly
- High cable density
- Dual cable sealing with IP65
- Hygienic design - free of dirt-collecting recesses
- Screw mounting
- Suitable for both indoor and outdoor use

Technical specifications

- IP rating: IP65
- Material: Thermoplastic elastomer
- Material base frame: Metal reinforcement stainless steel
- Color: Black
- Flame class: UL94-V0, self-extinguishing option available

Stainless steel reinforcement frame eliminates the inductive eddy currents that can be generated by the cables



- Oil-resistant option available
- Temperature: -40 °C...+100 °C
- Properties: Halogen free, Silicone free
- Mounting type: Screw type mounting
- Diam. of screw holes: 9,5 mm

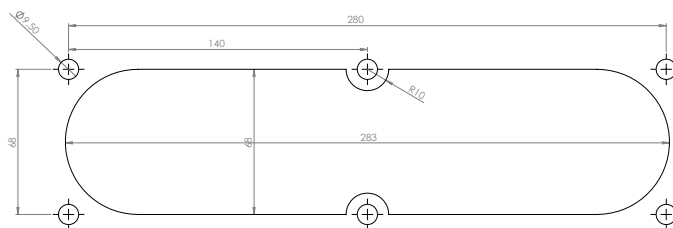
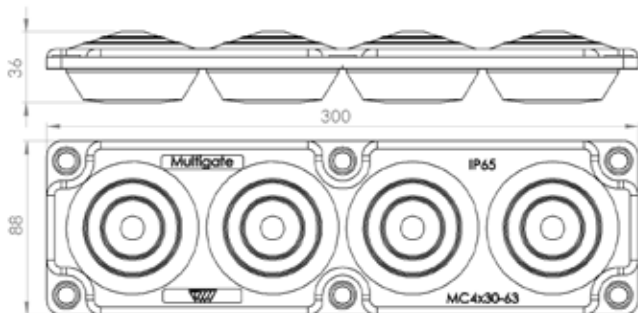


MC 4 (IP65)

Black, UL 94 V-0 approved	●	MBA1F04B11
Technical data		
Service temperature	-40 to + 100° C	
Number of cables (pcs) x cable diameter (mm)	4 x 30 - 63 mm	
Total number of cables	4	
Mounting hole size	283 x 68 mm	
Weight (g)	258	
Package (pcs)	50	

Look more about materials at Comparison of materials on page 148.

Dimensions of cable entry plates and mounting hole



- MC 10 (IP55) cable entry plates are designed for route and seal cables without connectors
- The assembly of the MC 10 (IP55) with cables or pneumatic hoses can be done quick and easy. Simply make a small hole in the thin membrane and push the cables through
- Suitable for standard cut-outs for FL21. For screwing in place

Advantages

- Fast and easy assembly
- High cable density
- Excellent IP protection when cables are bent
- Screw mounting
- Suitable for both indoor and outdoor use

Technical specifications

- IP rating: IP55
- Material: Thermoplastic elastomer (TPE)
- Material base frame: glass fibre reinforced polypropylene (PP-GF)
- Color: Grey (RAL7035)
- Temperature: -40 °C...+100 °C
- Properties: Halogen free, Silicone free
- Mounting type: Screw type mounting
- Diam. of screw holes: 9,5 mm

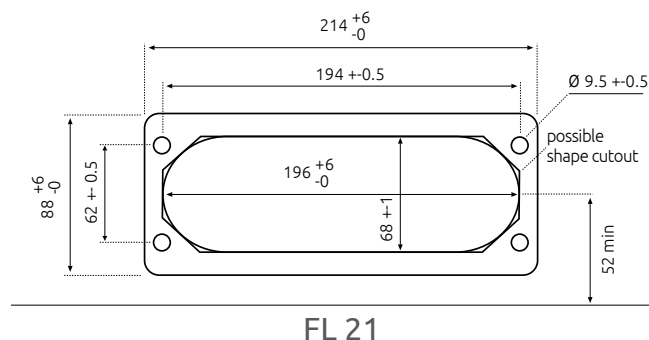
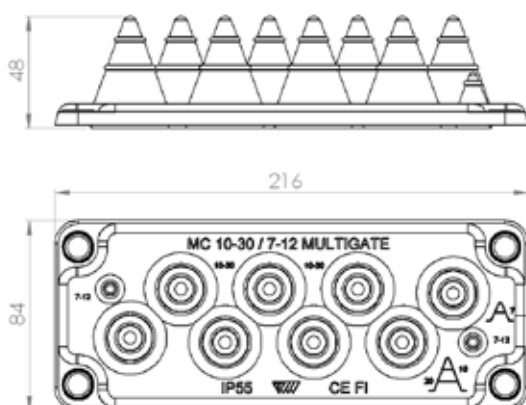


MC 10 (IP55)

Light Grey, RAL 7035 UL 94 V-0 approved	●	MBA1N10X11
Technical data		
Service temperature	-40 to + 100 °C	
Number of cables (pcs) x cable diameter (mm)	2 x 7 - 12 8 x 10 - 30	
Total number of cables	10	
Mounting hole size	C - FL 21	
Weight (g)	200	
Package (pcs)	100	

Mounting pins are available on request.
Look more about materials at Comparison of materials on page 148.

Dimensions of cable entry plates and mounting hole



- LMC (IP44, 54) cable entry plates are designed for route and seal cables without connectors
- The assembly of the LMC (IP44, 54) with cables or pneumatic hoses can be done quick and easy. Simply make a small hole in the thin membrane and push the cables through
- Suitable for standard cut-outs for FL21. For screwing in place

Advantages

- Fast and easy assembly
- High cable density
- Excellent IP protection when cables are bent
- Screw mounting
- Suitable for both indoor and outdoor use

Technical specifications

- IP rating: IP44, IP54
- Material: Thermoplastic elastomer
- Material base frame: Metal reinforcement electroplated steel
- Color: Grey (RAL7035)
- Flame class: UL94-V0, self-extinguishing option available
- Temperature: -40 °C...+90 °C
- Properties: Halogen free, Silicone free
- Mounting type: Screw type mounting
- Diam. of screw holes: 9,5 mm



LMC 14 (IP54)

LMC 25 (IP54)

LMC 51 (IP55)

LMC 35 (IP44)

Light Grey RAL 7035 Bulk packaging without pins	● MBA3N14L11	MBA3N25L11	MBA3N51L11	MBA3N35L11
Light Grey RAL 7035 Single packaging with pins	● MBA3C14L11	MBA3C25L11	MBA3C51L11	MBA3C35L11
Light Grey RAL 7035 UL 94 V-0 approved	● MBA3N14X11	MBA3N25X11	MBA3N51X11	-

Technical data

Service temperature	-40 to + 100 °C	-40 to + 100 °C	-40 to + 100 °C	-40 to + 100 °C
Number of cables (pcs) x cable diameter (mm)	5 x 10 - 14 4 x 14 - 18 3 x 14 - 22 2 x 24 - 54 -	2 x 3.5 - 11 5 x 10 - 14 12 x 14 - 18 5 x 14 - 22 1 x 14 - 35	50 x 7 - 13 1 x 15 - 25 - - -	1 x 15 - 32 2 x 12 - 18 16 x 10 - 14 14 x 7 - 12 2 x 6 - 10
Total number of cables	14	25	51	35
Mounting hole size	C - FL 21	C - FL 21	C - FL 21	C - FL 21
Weight (g)	199	201	205	220
Package (pcs)	100	100	100	100
Width (B) / Height (C) / Length (A) (mm)	222 / 92 / 30	222 / 92 / 30	222 / 92 / 30	214 / 84 / 9,5

Mounting pins are available on request. Look more about materials at Comparison of materials on page 148.

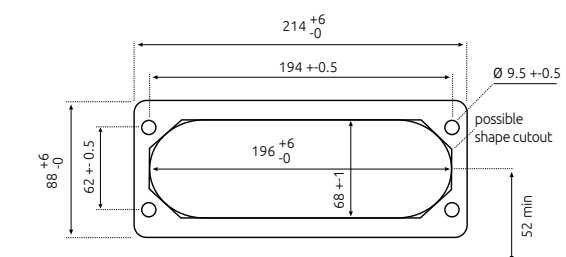
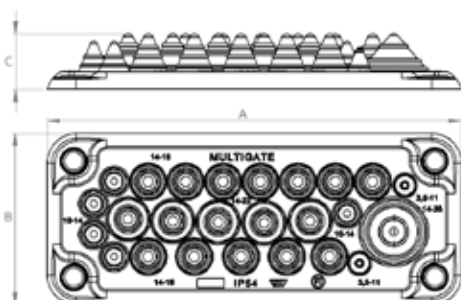
Pin (4 pcs)

Product code

MBA7300G11



Dimensions of cable entry plates and mounting hole



- MC 16 (IP54) cable entry plates are designed for route and seal cables without connectors
- The assembly of the MC 16 (IP54) with cables or pneumatic hoses can be done quick and easy. Simply make a small hole in the thin membrane and push the cables through
- MC 16 can be used by two different ways. When the cable entry plate is used "facade" up, it works as a regular IP54 enclosure cable gland plate. When the cable entry plate is used reversed it functions as a piping grommet in dry space switchboards. Pipes lock securely to the seal in the gland plate by the friction of the elastic material
- Suitable for standard cut-outs for FL21. For screwing in place

Advantages

- Fast and easy assembly
- High cable density
- Excellent IP protection when cables are bent
- Screw mounting
- Suitable for both indoor and outdoor use

Technical specifications

- IP rating: IP55
- Material: Thermoplastic elastomer (TPE)
- Material base frame: glass fibre reinforced polypropylene (PP-GF)
- Color: Grey (RAL7035)
- Temperature: -40°C...+100°C
- Properties: Halogen free, Silicone free
- Mounting type: Screw type mounting
- Diam. of screw holes: 9,5 mm

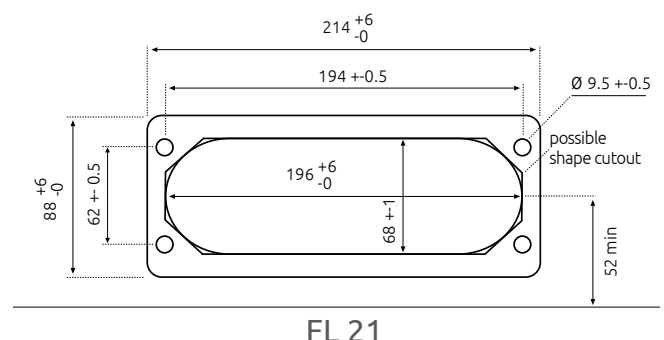
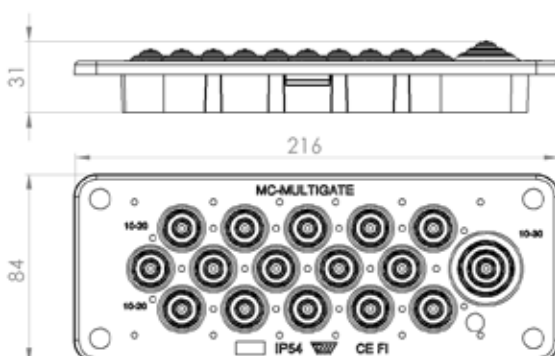


MC 16 (IP54)

Light Grey, RAL 7035 4 plastic pins included	●	MBA1C16L11
Technical data		
Service temperature	-40 to + 100 °C	
Number of cables (pcs) x cable diameter (mm)	15 x 10 - 20 1 x 10 - 30	
Total number of cables	16	
Mounting hole size	C - FL 21	
Weight (g)	120	
Package (pcs)	80	

Mounting pins are available on request.
Look more about materials at Comparison of materials on page 148.

Dimensions of cable entry plates and mounting hole



- MB (IP55, 66/67) cable entry plates are designed for route and seal cables without connectors
- The assembly of the MB (IP55, 66/67) with cables or pneumatic hoses can be done quick and easy. Simply make a small hole in the thin membrane and push the cables through
- Suitable for standard cut-outs for FL13. For screwing in place

Advantages

- Fast and easy assembly
- High cable density
- Dual cable sealing with IP66/IP67
- Excellent IP protection when cables are bent
- Screw mounting
- Suitable for both indoor and outdoor use

Technical specifications

- IP rating: IP55, IP66 and IP67
- Material: Thermoplastic elastomer
- Material base frame: Metal reinforcement electroplated steel
- Color: White or Grey (RAL7035)
- Flame class: UL94-V0, self-extinguishing option available
- Temperature: -40°C...+100 °C
- Properties: Halogen free, Silicone free
- Mounting type: Screw type mounting
- Diam. of screw holes: 7 mm



MB 4/10 (IP55)*



MB 5/11 (IP66/67)*

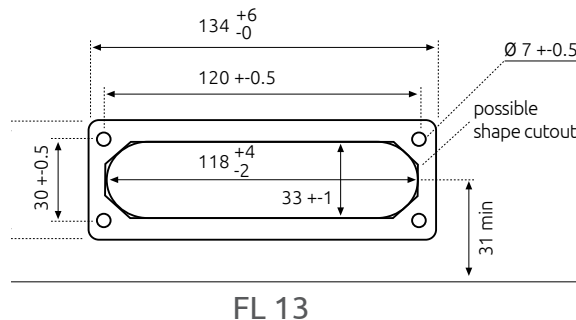
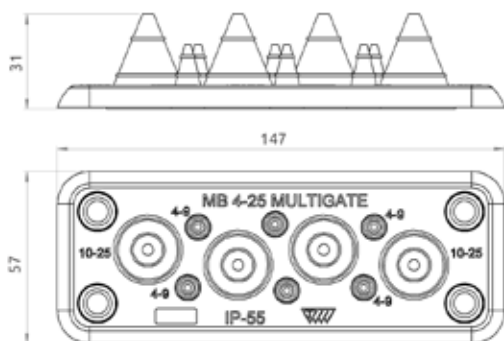
Light Grey RAL 7035	●	-	MBA2N11L11
Light Grey RAL 7035 UL 94 V-0 approved	●	MBA2N10W11	MBA2N11X11
White UL 94 V-0 approved	○	MBA2N12W11	-

Technical data

Service temperature	-40 to + 100 °C	-40 to + 100 °C
Number of cables (pcs) x cable diameter (mm)	4 x 10 - 25 6 x 4 - 9 - -	4 x 5 - 7 3 x 7 - 10 2 x 10 - 14 2 x 15 - 30
Total number of cables	10	11
Mounting hole size	B - FL 13	B - FL 13
Weight (g)	68	86
Package (pcs)	200	200

* For the smaller mounting hole (size B).
Look more about materials at Comparison of materials on page 148.

Dimensions of cable entry plates and mounting hole



Type	Length (A)	Width (B)	Height (C)
MB (IP55, 66/67)			
MB 4/10 (IP55)	146	56	31
MB 5/11 (IP66/67)	147	57	42

MHF series plastic reinforced cable entry plates are suitable for leading through cables and various types of tubing. They match the cut-out dimensions of standard 10/16/24-pole industrial connectors, no separate gaskets are needed.

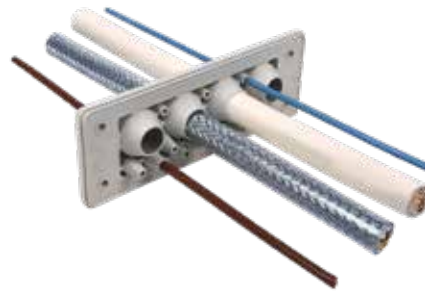
These cable entry plates give total protection against ingress of dust and water splashed from all directions, due to IP protection class of IP66 and are suitable for both indoor and outdoor use. The materials are self-extinguishing (UL94 V0) and halogen free, the outer sides of the cable entry plates are flat, and thus suitable for medical and food industries, due to ease of cleaning.

Technical specifications



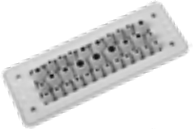

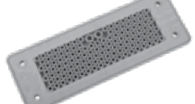
- IP rating: IP66
- Membrane material: Thermoplastic elastomer
- Frame material: Glass fiber reinforced polypropylene
- Color: Grey (RAL7035) or black (RAL9005)
- Flame-retardancy class: UL94 V0
- Temperature: -40 °C...+90 °C
- Properties: Halogen free, Silicone free
- Mounting type: Screw type mounting
- Diam. of screw holes: 4,2 mm

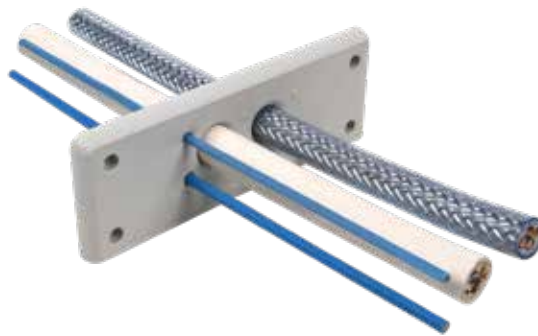
Advantages

- High cable density
- Self-extinguishing plastic
- Dual cable sealing with IP66
- Hygienic design - free of dirt-collecting recesses
- Screw mounting
- Suitable for both indoor and outdoor use

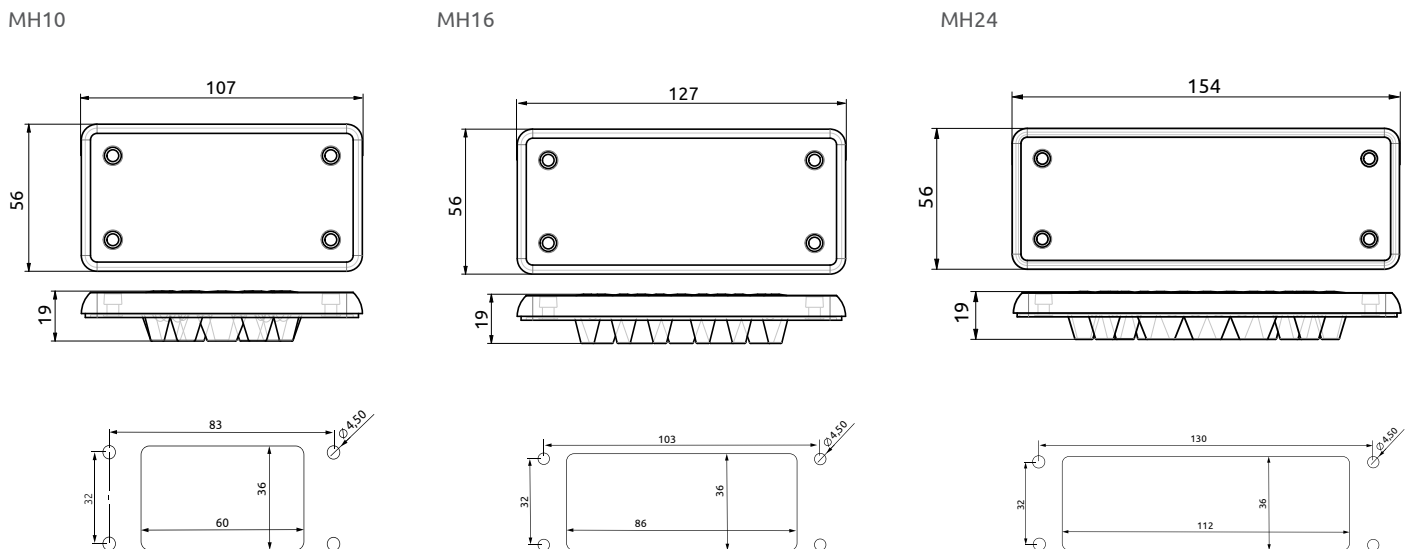


	Drawing	Name	Product code	No. of cables x diameter	Weight (g)	Opening size
		MH10 F12-1	● MBA8N12X10 ● MBA8N12B10	5 x 3 - 7 4 x 5 - 10 2 x 7 - 13 1 x 9 - 16	48	B10
		MH16 F17-1	● MBA8N17X16 ● MBA8N17B16	12 x 3 - 7 5 x 7 - 13	59	B16
		MH24 F17-2	● MBA8N17X24 ● MBA8N17B24	6 x 3 - 7 6 x 5 - 10 5 x 9 - 16	64	B24
		MH24 F17-3	● MBA8N17X10 ● MBA8N17B10	4 x 3 - 7 12 x 7 - 20 1 x 10 - 20	59	B24
		MH24 F19-1	● MBA8N19X24 ● MBA8N19B24	5 x 1,5 - 3 10 x 3,2 - 6,5 4 x 16 - 22	71	B24
		MH24 F20-1	● MBA8N20X24 ● MBA8N20B24	6 x 1,5 - 3 14 x 7,2 - 12	71	B24
		MH24 F22-1	● MBA8N22X24 ● MBA8N22B24	15 x 3 - 7 4 x 4,5 - 10 3 x 15 - 20"	65	B24
		MH24 F23-1	● MBA8N23X24 ● MBA8N23B24	4 x 1,5 - 3 4 x 3,2 - 6,3 10 x 4 - 7,5 1 x 5,5 - 10,5 1 x 8 - 12,5 3 x 12 - 16,2"	71	B24
		MH24 F23-2	● MBA8N24X24 ● MBA8N24B24	4 x 1,5 - 3 6 x 3,2 - 6,3 2 x 4 - 7,5 1 x 5,5 - 10,5 10 x 8 - 12,5	71	B24
		MH24 F27-1	● MBA8N27X24 ● MBA8N27B24	12 x 3 - 7 10 x 4,5 - 10 5 x 7 - 13	70	B24
		MH24 F30-1	● MBA8N30X10 ● MBA8N30B10	30 x 3 - 8	71	B24

Drawing	Name	Product code	No. of cables x diameter	Weight (g)	Opening size
	MH24 F30-2	● MBA8N30X24 ● MBA8N30B24	8 x 1,5 - 3 8 x 3,2 - 5,5 6 x 4 - 7,5 6 x 5 - 8,5 2 x 9,5 - 14,5	71	B24
	MH24 F30-3	● MBA8N32X24 ● MBA8N32B24	6 x 1,5 - 3 4 x 3,2 - 6,3 14 x 4 - 7,5 2 x 8 - 12,5	71	B24
	MH24 F31-1	● MBA8N31X24 ● MBA8N31B24	20 x 3,2 - 6,5 8 x 5 - 10,2 3 x 7,5 - 12	71	B24
	MH24 F42-1	● MBA8N42X24 ● MBA8N42B24	42 x 3,2 - 6,5	71	B24
	MH24 F125-1	● MBA8N125X24 ● MBA8N125B24	123 x 1,5 - 3 2 x 2,5 - 5	71	B24



Dimensions



Cable/tube diameter	MH-10 F12-1	MH-16 F17-1	MH-24 F17-2	MH-24 F17-3	MH-24 F22-1	MH-24 F27-1	MH-24 F30-1	MH-24 F19-1	MH-24 F20-1	MH-24 F23-1	MH-24 F23-2	MH-24 F30-2	MH-24 F30-3	MH-24 F31-1	MH-24 F42-1	MH24 F125-1
1.5-3mm								5	6	4	4	8	6			123
2.5-5mm																2
3-7mm	5	12	6	4	15	12										
3-8mm							30									
3.2-5.5mm												8				
3.2-6.3mm										4	6		4			
3.2-6.5mm								10						20	42	
4-7.5mm										10	2	6	14			
4.5-10mm					4	10										
5-8.5mm												6				
5-10mm	4		6													
5-10.2mm														8		
5.5-10.5mm										1	1					
7-13mm	2	5				5										
7-20mm				12												
7.2-12mm									14							
7.5-12mm														3		
8-12.5mm										1	10		2			
9-16mm	1		5													
9.5-14.5mm												2				
10-20mm				1												
12-16.2mm										3						
15-20mm					3											
16-22mm								4								



Cable entry plate RMC (IP65)

Patent-pending solution

Very quick, precise and easy way to insert cables

No need to use cutting, pliers, knives or other tools



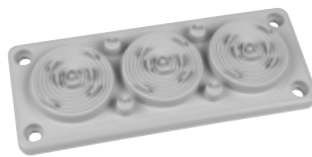
- Cable gland plate used as a conductor entry point in an electrical cabinet; the enclosure wall thickness can vary from 1 to 4 mm
- For use with diverse cable sizes in both low and medium voltage power applications
- Suitable for rough industrial conditions indoors as well as extreme climatic conditions outdoors

Advantages

- Each cable entry point has a tab that can be peeled off to create an opening for quick insertion and pull-through operations without the need for cutting pliers, knives or other tools
- Pre-embossed, circular entry points guarantee a precise, clean and robust seal around the cable; no additional glands or gaskets required
- A high density of incoming/outgoing conductors can be installed with minimal space requirements

Technical specifications

- Feed-through membrane made of thermoplastic elastomer (TPE) with polypropylene glass fiber reinforcement (PP-GF)
- Cable entry points with various cross-sectional diameters (no pre-attached connectors)
- Available in two colors: black and light grey (RAL7035)
- Designed to match an FL21 flange size cut-out
- Standard M8 bolts used for mounting on the enclosure wall (bolts not included in package)
- High IP65 protection against the ingress of dust and water
- Flammability rating according to UL 94 V-0
- Operational ambient temperature range (material unstressed): -40 °C...+90 °C



RMC 3 (IP65)



RMC 17 (IP65)

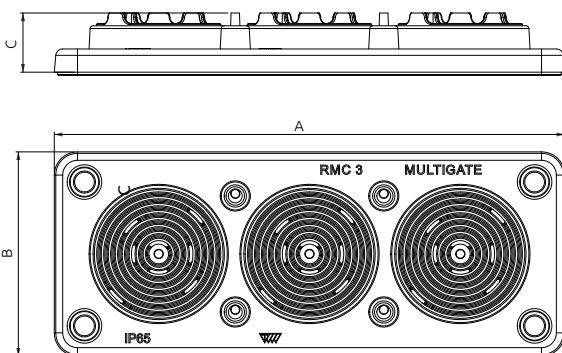
Grey (RAL 7035)	●	MBA9N07X11	MBA1N17X11
Black (RAL 9005)	●	MBA9N07B11	MBA1N17B11

Technical data		
Number of cables (pcs) x cable diameter (mm)	4 x 7-10 3 x 12-57	4 x 5-7 2 x 10-12 2 x 12-15 9 x 10-30
Total number of cables	7	17
Dimensions A / B / C (mm)	220 / 88 / 25,5	220 / 88 / 25,5
Classification	UL 94 V-0	UL 94 V-0
Weight (g)	131	134
Package (pcs)	100	100

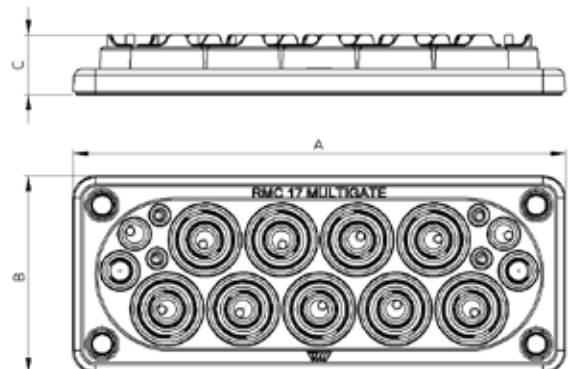
Look more about materials at Comparison of materials on page 148.

Dimensions

RMC 3



RMC 17



- Used as a conductor entry point in an electrical cabinet; the wall thickness can vary from 1-3,5 mm
- For use with diverse cable sizes in both low and medium voltage power applications
- Suitable for rough industrial conditions indoors as well as extreme climatic conditions outdoors

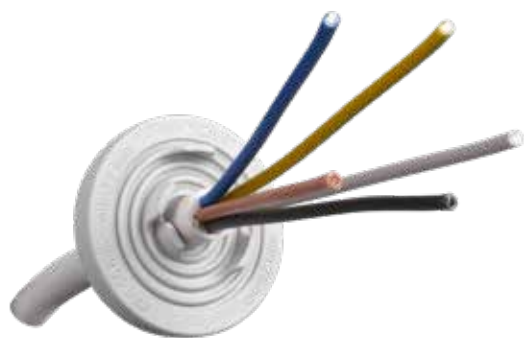
Advantages

- Each RGD has several cable entry points - tabs - that can be peeled off to create an opening for quick insertion and pull-through operations without the need for cutting pliers, knives or other tools
- Each tab has marking of cable diameter matching it written next to it
- Pre-embossed, circular entry points guarantee a precise, clean and robust seal around the cable; no additional glands or gaskets required

Technical specifications

- Made of thermoplastic elastomer (TPE)
- Designed to match M40, M50 and M60 size cut-out and diameter range from 10 to 54 mm:
 - o M40: 10-34 mm cable
 - o M50: 12-44 mm cable
 - o M60: 12-54 mm cable
- Available in two colors: black and light grey (RAL7035)
- High IP64 protection against the ingress of dust and water
- Flammability rating according to UL 94 V-0
- Operational ambient temperature range (material unstressed): -40 °C...+100 °C

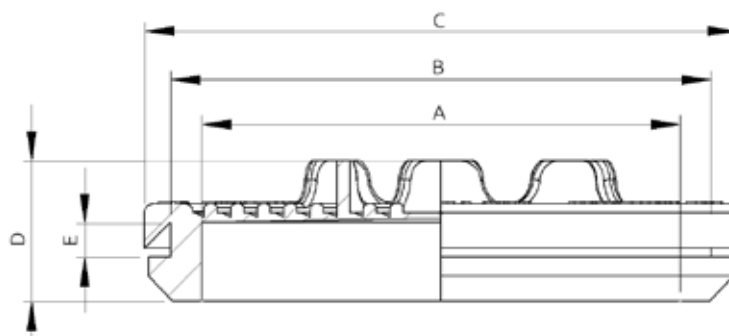
NEW



Order code	Type	Cable diameter (mm)	Color	Shade	Classification	Dimensions (mm)					Weight (g)	Package (pcs)
						A	B	C	D	E		
MBB0540X11	T-RGDM 40	10-34	Grey	● RAL 9035	UL 94 V-0	34 mm	40 mm	47 mm	16 mm	1,5-3 mm	10	400
MBB0540B11			Black	● RAL 7005	UL 94 V-0							
MBB0550X11	T-RGDM 50	12-44	Grey	● RAL 9035	UL 94 V-0	44 mm	50 mm	57 mm	16 mm	1,5-3 mm	13,2	250
MBB0550B11			Black	● RAL 7005	UL 94 V-0							
MBB0560X11	T-RGDM 60	12-54	Grey	● RAL 9035	UL 94 V-0	54 mm	60 mm	67 mm	16 mm	1,5-3 mm	16,4	200
MBB0560B11			Black	● RAL 7005	UL 94 V-0							

Look more about materials at Comparison of materials on page 148.

Dimensions



Splitting cable entry plates

Splitting cable entry plates are compact system to route and seal pre-terminated cables

Insertion of
pre-terminated
cables

UL 94 V-0

Does
not affect
warranty
of pre-terminated cables



Splitting cable entry plate for cables with attached connectors

Often with the cables come the connectors and very often the connectors can not be removed and re-attached. The delicate data cables, HDMI's etc. are difficult or impossible to re-join at site. The splitting cable entry plate is the solution that lets the cables be installed with the connectors and on top of that the cables can be changed as often as wanted. Choose splitting cable entry plate for fast, safe and versatile installations.

Splitting cable entry plates SCG and MC are intended for leading through both low and medium power current cables, but also various kinds of tubing.

Splitting cable entry plates SCG and MC are new type of metal and plastic reinforced cable entry plate made of different types of polymers (TPE and PP-GF).

They meet the requirements of IP55 protection class without the need of any additional gaskets or grommets. This makes it very easy to use and provides many benefits for compact installation unit.

Splitting cable entry plates SCG and MC are suitable for both in- and outdoor application and operating temperature range is from -40 °C to +90 °C.

Look more about materials at Comparison of materials on page 148.



SCG 1x3-35 (IP55)

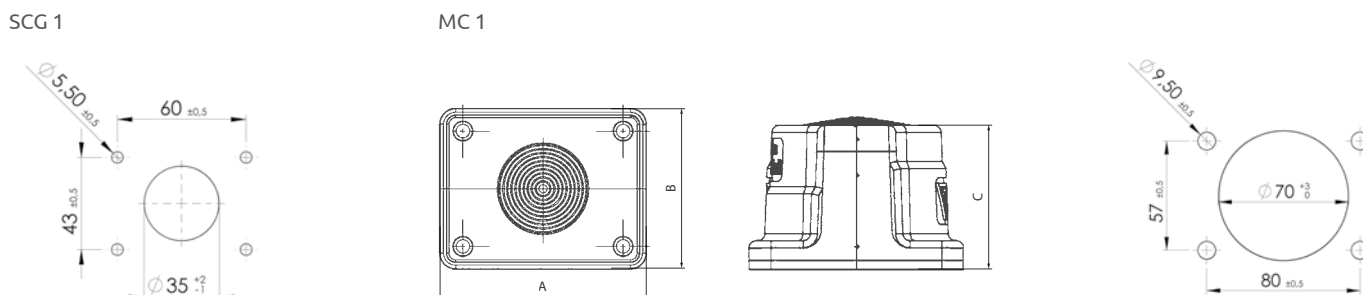
SCG 2x3-35 (IP55)

Black UL 94 V-0	●	MBA4N01B11	MBA4N02B11
-----------------	---	------------	------------

Technical data		
Service temperature	-40 - +90	-40 - +90
Dimensions (A / B / C) (mm)	77 / 60 / 40	136 / 60 / 40
Number of cables (pcs) x cable diameter (mm)	1 x 3-35	2 x 3-35
Total number of cables	1	2
Mounting hole size	SCG 1	SCG 2
Weight (g)	160	263
Package (pcs)	100	50

* Only for cables without connectors.

Dimensions





MC 1x8-64 (IP55)

MC 2x8-64 (IP55)

Black UL 94 V-0	●	MBA4N19B11	MBA4N28B11
Black	●	MBA4N18B11	-

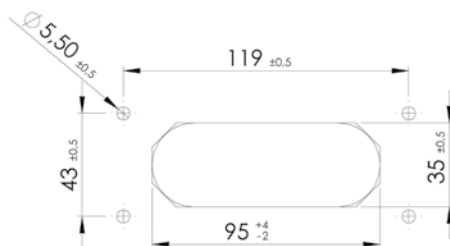
Technical data

Service temperature	-40 - +90	-40 - +90
Dimensions (A / B / C) (mm)	123 / 93 / 75	222 / 93 / 75
Number of cables (pcs) x cable diameter (mm)	1 x 8 - 64	2 x 8 - 64
Total number of cables	1	2
Mounting hole size	MC 1	MC 2
Weight (g)	870	870
Package (pcs)	15	10

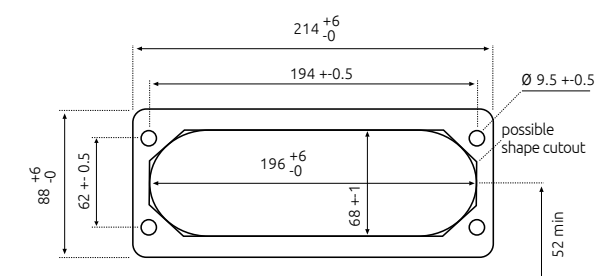
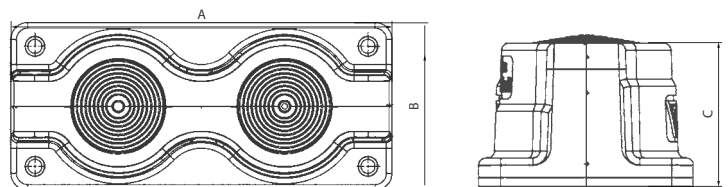
* Only for cables without connector

Dimensions

SCG 2



MC 2



Shear Bolt cable lugs up to 12kV

| For applications up to 12kV

| Suitable for Al and Cu conductors

| Certified according to
EN61238-1 class A



Shear Bolt lugs are used for terminating aluminium or copper conductors in applications up to 12kV.

Advantages

- Shear Bolt technology allows installation of the lugs using a regular wrench or a spanner, no crimping or other special tools are needed.
- Morek Shear Bolt cable lugs are range taking products that can be used with conductors of varying cross-sections, accommodating a wide range of conductors with only a few items.
- Shear Bolt lugs' specially designed aluminium bodies are made of high-strength aluminium alloy and are tin-plated, allowing their use with both aluminium and copper conductors.
- Bolts made of aluminium or tin-plated brass are designed to break at the exact torque required for best electrical connection.
- Shear Bolts are treated with special antioxidation grease to ensure the lubrication and eliminate all kinds of oxidation in places of electrical contact.
- All Morek Shear Bolt lugs are watertight and suitable for indoor and outdoor installation, to be used with solid, stranded, sector shaped and round conductors with plastic or oil-impregnated paper isolation.
- Shear Bolt lugs are compatible with most termination kits by many manufacturers. Compact design requires less installation space, especially for larger sizes.

Certification and regulations

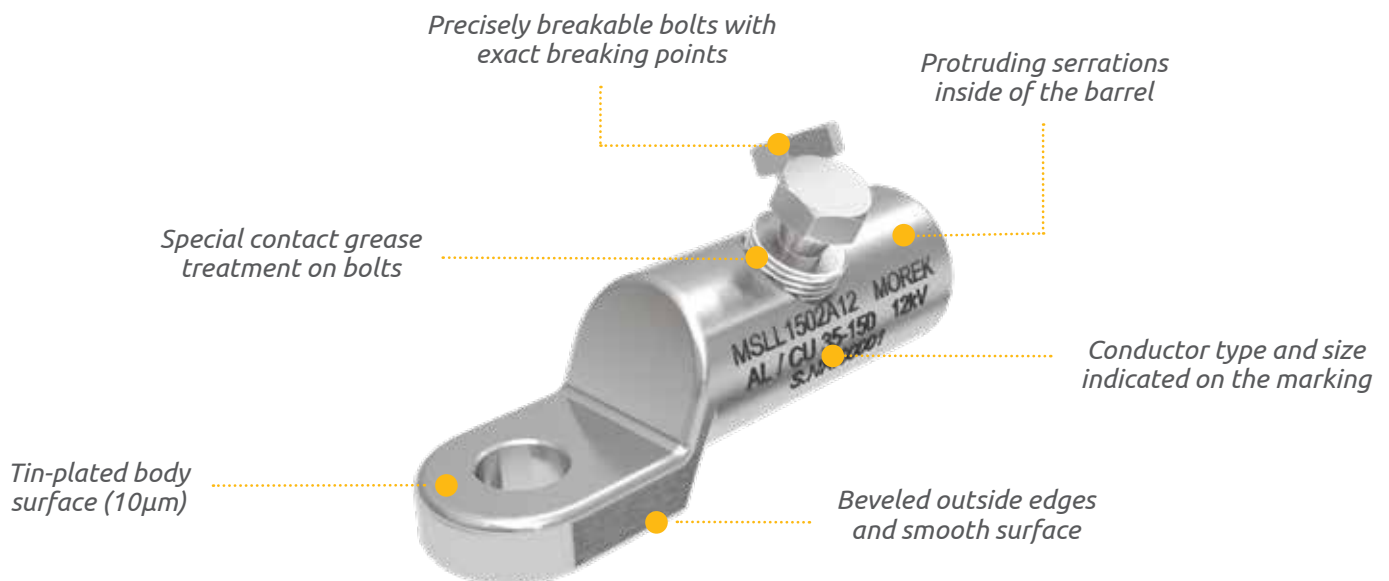
Tested according to IEC61238-1 class A

Technical specifications

- Nominal voltage up to 12kV
- Suitable for copper and aluminium conductors
- Bolts are treated with antioxidation grease

Materials

Lug body: tin-plated high-strength aluminium alloy
Cable lug bolts: aluminium alloy



EN 61238-1:2003 divides cable lugs and connectors into two classes:

Class A (heat cycle and **short-circuit tested**) - These are connectors intended for electrical distribution or industrial networks in which they can be subjected to short-circuits of relatively high intensity and duration. Therefore, Class A connectors are suitable for most applications.





Class B (heat cycle tests only, **not short-circuit tested**) - These are connectors for networks in which overloads or short-circuits are rapidly cleared by the installed protective devices, e.g. **fast-acting fuses**.






Palm opening size	MSLL35	MSLL50	MSLL51	MSLL70	MSLL95
M10	MSLL0351A10	MSLL0501A10	MSLL0502A10	-	-
M12	MSLL0351A12	MSLL0501A12	MSLL0502A12	MSLL0702A12	MSLL0951A12
M16	-	-	-	-	-

Technical data

Conductor cross-section Al (mm²)

RE  Round, solid	6 - 35	6 - 50	6 - 50	16 - 70	16 - 95
RM  Round, stranded	10 - 35	10 - 50	10 - 50	16 - 70	16 - 95
SE  Sector shaped, solid	16 - 35	16 - 50	16 - 50	16 - 70	16 - 95
SM  Sector shaped, stranded	16 - 25	16 - 35	16 - 35	16 - 70	16 - 95

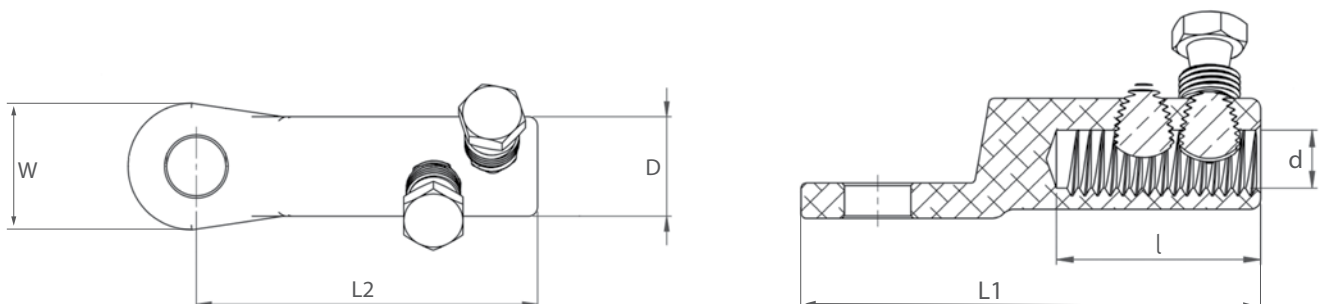
Conductor cross-section Cu (mm²)

RM  Round, stranded	16 - 35	6 - 50	6 - 50	16 - 70	25 - 95
SM  Sector shaped, stranded	16 - 35	6 - 50	6 - 50	16 - 70	25 - 95
RE  Round, solid	6 - 25	6 - 35	6 - 35	6 - 35	10 - 35

No. of bolts Ø mm	1 / M10	1 / M10	2 / M10	2 / M12	1 / M12
L1 / L2 / l	53 / 40 / 18	62 / 51 / 28	62 / 51 / 30	90 / 75 / 40	65 / 52 / 24
W / D / d	24 / 16 / 9	25 / 20 / 11	25 / 20 / 11	28 / 22 / 12	25 / 25 / 14
Weight (g)	23	37	42	62	65
Package (pcs)	50	50	50	50	25

Suitable for Al/Cu applications

Dimensions












Palm opening size	MSSL96	MSSL150	MSSL240	MSSL300
M10	-	-	-	-
M12	MSSL0952A12	MSSL1502A12	MSSL2402A12	MSSL3002A12
M16	-	-	MSSL2402A16	MSSL3002A16

Technical data

Conductor cross-section Al (mm²)

RE  Round, solid	16 - 95	35 - 150	50 - 240	120 - 300
RM  Round, stranded	16 - 95	35 - 150	50 - 240	120 - 300
SE  Sector shaped, solid	16 - 95	35 - 150	50 - 240	120 - 300
SM  Sector shaped, stranded	16 - 95	35 - 120	50 - 240	120 - 300

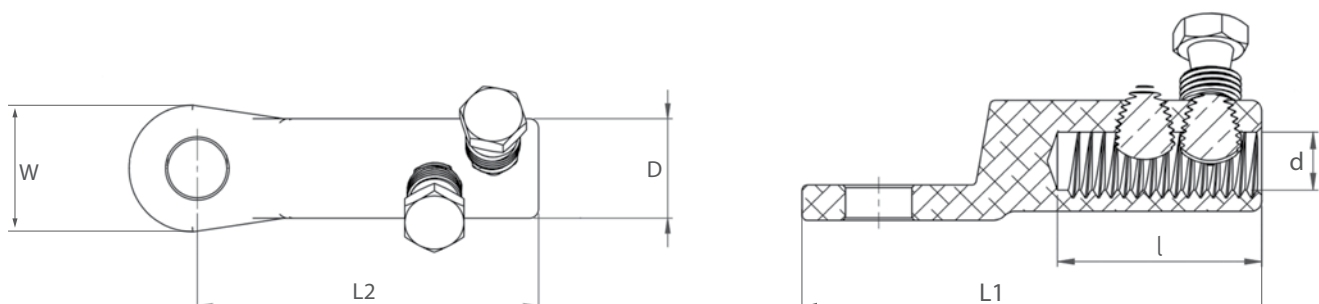
Conductor cross-section Cu (mm²)

RM  Round, stranded	25 - 95	35 - 150	50 - 240	120 - 300
SM  Sector shaped, stranded	25 - 95	35 - 150	50 - 240	120 - 300
RE  Round, solid	10 - 35	25 - 35	-	-

No. of bolts Ø mm	2 / M12	2 / M16	2 / M18	2 / M22
L1 / L2 / l	76 / 63 / 32	100 / 85 / 52	115 / 97 / 57	123 / 104 / 59
W / D / d	25 / 25 / 15	29 / 29 / 18	35 / 35 / 22	38 / 38 / 24,5
Weight (g)	82	120	250	280
Package (pcs)	25	40	15	10

Suitable for Al/Cu applications

Dimensions



Shear Bolt cable connectors up to 12kV

| For applications up to 12kV

| Suitable for Al and
Cu conductors

| Certified according to
EN61238-1 class A



Shear Bolt connectors are used for joining aluminium or copper conductors in applications up to 12kV.

Advantages

- Shear Bolt technology allows installation of the lugs using a regular wrench or a spanner, no crimping or other special tools are needed.
- Morek Shear Bolt cable connectors are range taking products that can be used with conductors of varying cross-sections, accommodating a wide range of conductors with only a few items.
- Shear Bolt connectors' specially designed aluminium bodies are made of high-strength aluminium alloy and are tin-plated, allowing their use with both aluminium and copper conductors.
- Bolts made of aluminium or tin-plated brass are designed to break at the exact torque required for best electrical connection.
- Shear Bolts are treated with special antioxidation grease to ensure the lubrication and eliminate all kinds of oxidation in places of electrical contact.
- All Morek Shear Bolt lugs are watertight and suitable for indoor and outdoor installation, to be used with solid, stranded, sector shaped and round conductors with plastic or oil-impregnated paper isolation.
- Shear Bolt connectors are compatible with most termination kits by many manufacturers. Compact design requires less installation space, especially for larger sizes.

Certification and regulations

Tested according to IEC61238-1 class A

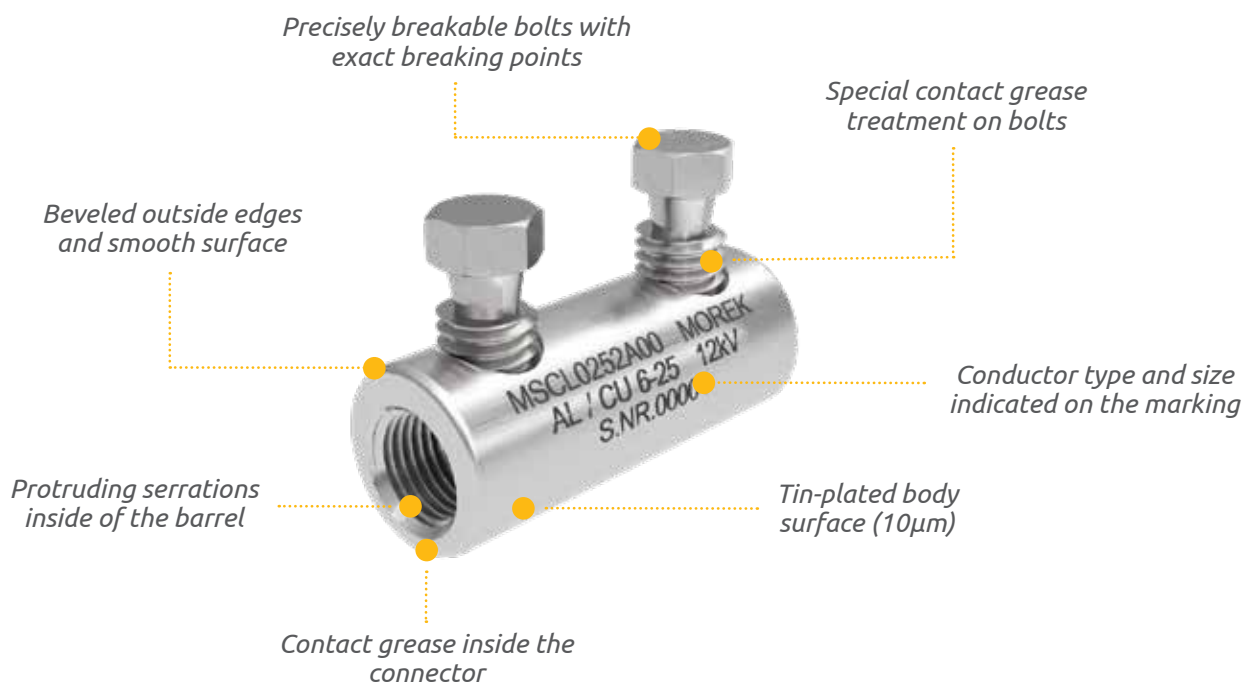
Technical specifications

- Nominal voltage up to 12kV
- Suitable for copper and aluminium conductors
- Bolts are treated with antioxidation grease

Materials

Connector body: tin-plated high-strength aluminium alloy

Aluminium-bolt cable connector bolts: aluminium alloy



EN 61238-1:2003 divides cable lugs and connectors into two classes:

Class A (heat cycle and **short-circuit tested**) - These are connectors intended for electrical distribution or industrial networks in which they can be subjected to short-circuits of relatively high intensity and duration. Therefore, Class A connectors are suitable for most applications.

Class B (heat cycle tests only, **not short-circuit tested**) - These are connectors for networks in which overloads or short-circuits are rapidly cleared by the installed protective devices, e.g. **fast-acting fuses**.



MSCL16

MSCL25





MSCL50

MSCL95




	MSCL0162A00	MSCL0252A00	MSCL0502A00	MSCL0952A00
--	-------------	-------------	-------------	-------------

Technical data

Conductor cross-section Al (mm²)

RE 	Round, solid	1,5 - 16	6 - 35	10 - 50	25 - 95
RM 	Round, stranded	1,5 - 16	10 - 35	10 - 50	25 - 95
SE 	Sector shaped, solid	1,5 - 16	16 - 35	16 - 50	25 - 95
SM 	Sector shaped, stranded	1,5 - 16	16 - 25	16 - 35	25 - 95

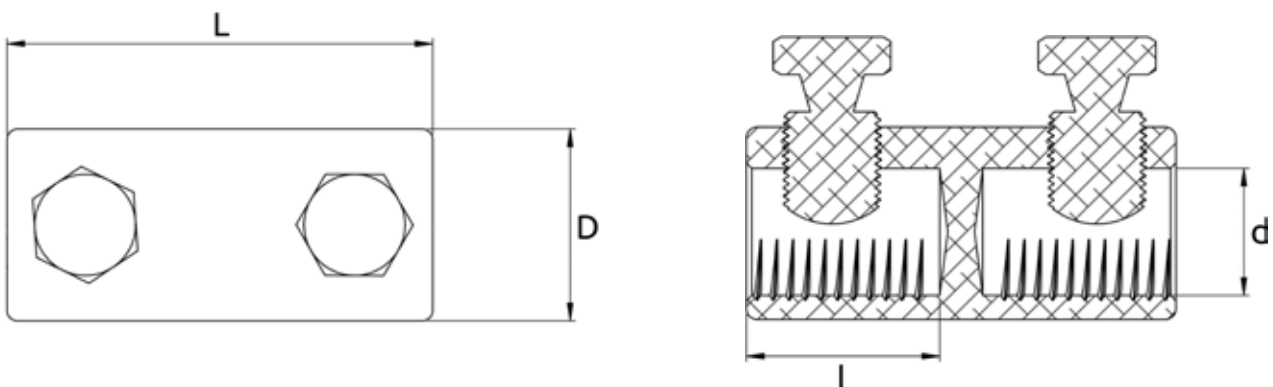
Conductor cross-section Cu (mm²)

RM 	Round, stranded	1,5 - 16	16 - 35	16 - 50	25 - 95
SM 	Sector shaped, stranded	1,5 - 16	16 - 35	16 - 50	25 - 95
RE 	Round, solid	1,5 - 16	6 - 25	16 - 35	25 - 35

No. of bolts Ø mm	2 / M6	2 / M8	2 / M10	2 / M12
L / l	30 / 14	40 / 17	37 / 17	54 / 24
D / d	12 / 6	16 / 9	18 / 10	25 / 14
Weight (g)	10	22	26	47
Package (pcs)	100	100	50	50

Suitable for Al/Cu applications

Dimensions





MSCL150

MSCL240



MSCL241

MSCL300




	MSCL1502A00	MSCL2402A00	MSCL2404A00	MSCL3004A00
--	-------------	-------------	-------------	-------------

Technical data

Conductor cross-section Al (mm²)

RE 	Round, solid	25 - 150	120 - 240	50 - 240	150 - 300
RM 	Round, stranded	25 - 150	120 - 240	50 - 240	150 - 300
SE 	Sector shaped, solid	25 - 150	120 - 240	50 - 240	150 - 300
SM 	Sector shaped, stranded	25 - 120	120 - 240	50 - 240	150 - 300

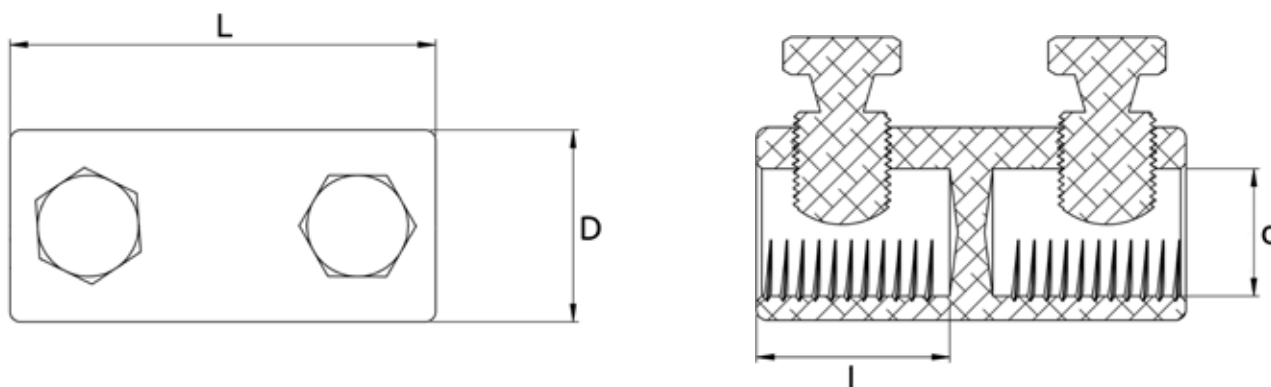
Conductor cross-section Cu (mm²)

RM 	Round, stranded	25 - 120	120 - 240	50 - 240	150 - 300
SM 	Sector shaped, stranded	25 - 35	-	-	-
RE 	Round, solid	-	-	-	-

No. of bolts Ø mm	2 / M16	2 / M18	4 / M18	4 / M22
L / l	70 / 30	80 / 36	120 / 56	112 / 52
D / d	28 / 17	36 / 24	35 / 22	38 / 24
Weight (g)	87	162	220	265
Package (pcs)	35	25	20	20

Suitable for Al/Cu applications

Dimensions



Shear Bolt cable lugs up to 36kV

| For applications up to 36kV

| Suitable for Al and Cu conductors

Certified according to

| **EN61238-1 class A**



Shear Bolt lugs are used for terminating aluminium or copper conductors in applications up to 36kV.

Advantages

- Shear Bolt technology allows installation of the lugs using a regular wrench or a spanner, no crimping or other special tools are needed.
- Morek Shear Bolt cable lugs are range taking products that can be used with conductors of varying cross-sections, accommodating a wide range of conductors with only a few items.
- Shear Bolt lugs' specially designed aluminium bodies are made of high-strength aluminium alloy and are tin-plated, allowing their use with both aluminium and copper conductors.
- Bolts made of aluminium or tin-plated brass are designed to break at the exact torque required for best electrical connection.
- Shear Bolts and barrels of lugs are treated with special antioxidation grease to ensure the lubrication and eliminate all kinds of oxidation in places of electrical contact.
- Conductor centering rings and instruction manual are supplied together with each lug to ensure proper installation.
- All Morek Shear Bolt lugs are watertight and suitable for indoor and outdoor installation, to be used with solid, stranded, sector shaped and round conductors with plastic or oil-impregnated paper isolation.
- Shear Bolt lugs are compatible with most termination kits by many manufacturers. Compact design requires less installation space, especially for larger sizes.

Certification and regulations

Tested according to IEC61238-1 class A

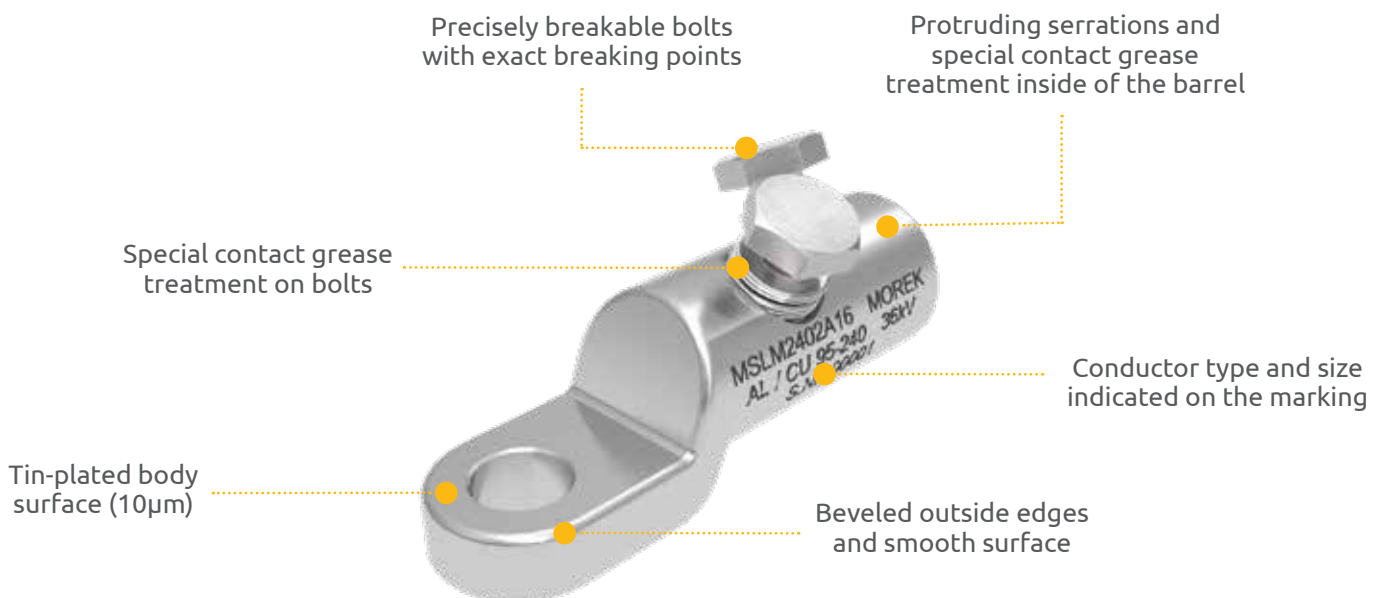
Technical specifications

- Nominal voltage up to 36kV
- Suitable for copper and aluminium conductors
- Bolts and barrels are treated with antioxidation grease
- Conductor centering rings included

Materials

Lug body: tin-plated high-strength aluminium alloy

Cable lug bolts: aluminium alloy



EN 61238-1:2003 divides cable lugs and connectors into two classes:

Class A (heat cycle and **short-circuit tested**) - These are connectors intended for electrical distribution or industrial networks in which they can be subjected to short-circuits of relatively high intensity and duration. Therefore, Class A connectors are suitable for most applications.

Class B (heat cycle tests only, **not short-circuit tested**) - These are connectors for networks in which overloads or short-circuits are rapidly cleared by the installed protective devices, e.g. **fast-acting fuses**.






Palm opening size



	MSLM95	MSLM150	MSLM240	MSLM300
M12	MSLM0951A12	MSLM1501A12	MSLM2402A12	MSLM3002A12
M16	-	-	MSLM2402A16	MSLM3002A16
M20	-	-	-	-

Technical data

Conductor cross-section Al (mm²)

RE  Round, solid	16 - 95	50 - 150	95 - 240	120 - 300
RM  Round, stranded	16 - 95	50 - 150	95 - 240	120 - 300
SM  Sector shaped, stranded	25 - 70	50 - 120	95 - 185	120 - 240

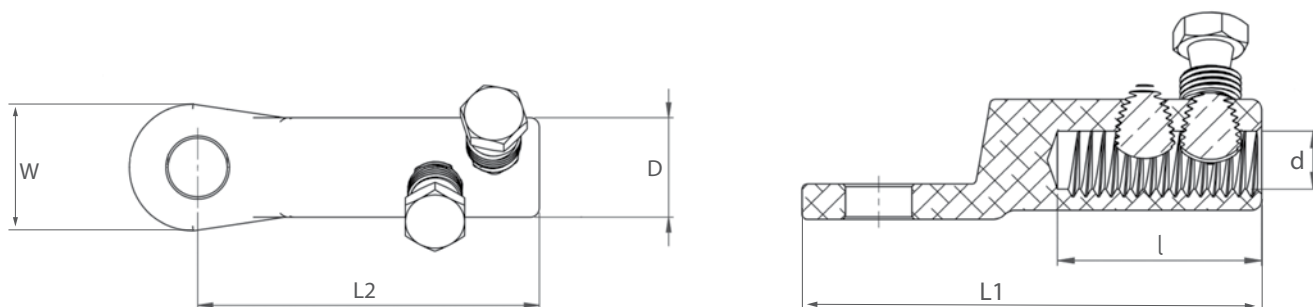
Conductor cross-section Cu (mm²)

RM  Round, stranded	16 - 70	50 - 120	95 - 240	120 - 300
SM  Sector shaped, stranded	25 - 70	50 - 120	95 - 185	120 - 240

No. of bolts Ø mm	1 / M12	1 / M14	2 / M18	2 / M22
L1 / L2 / l	76 / 60 / 32	95 / 78 / 42	112 / 95 / 57	125 / 105 / 67
W / D / d	32 / 24 / 9,5	29 / 29 / 16	33 / 33 / 20	38 / 38 / 24,5
Weight (g)	60	122	182	246
Package (pcs)	25	25	15	14

Suitable for Al/Cu applications

Dimensions










Palm opening size	MSLM400	MSLM630	MSLM1000
M12	MSLM4003A12	MSLM6303A12	-
M16	MSLM4003A16	MSLM6303A16	MSLM10004A16
M20	-	-	MSLM10004A20
2 x M12	-	-	-

Technical data

Conductor cross-section Al (mm²)

RE  Round, solid	185 - 400	400 - 630	630 - 1000
RM  Round, stranded	185 - 400	400 - 630	630 - 1000
SM  Sector shaped, stranded	185 - 300	400 - 500	630 - 800

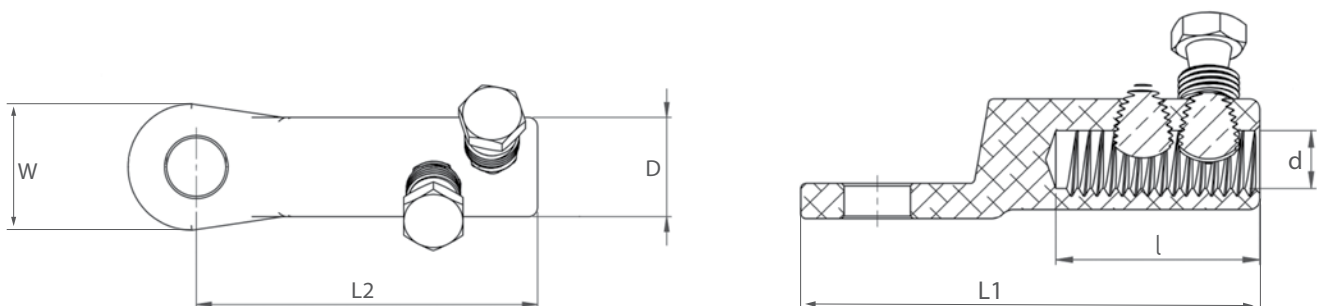
Conductor cross-section Cu (mm²)

RM  Round, stranded	185 - 400	400 - 630	630 - 1000
SM  Sector shaped, stranded	185 - 300	400 - 500	630 - 800

No. of bolts Ø mm	3 / M22	3 / M22	4 / M22 long
L1 / L2 / l	140 / 120 / 79	163 / 136 / 94	194 / 161 / 105
W / D / d	42 / 42 / 26	52 / 52 / 34	65 / 65 / 41
Weight (g)	367	605	1095
Package (pcs)	10	6	3

Suitable for Al/Cu applications

Dimensions





Palm opening size

MSLM400




MSLM630

MSLM1000



M12 x 20 x 2	MSLM4003A32	MSLM6303A32	MSLM10004A32
--------------	-------------	-------------	--------------

Technical data

Conductor cross-section Al (mm²)

RE  Round, solid	185 - 400	400 - 630	630 - 1000
RM  Round, stranded	185 - 400	400 - 630	630 - 1000
SM  Sector shaped, stranded	185 - 300	400 - 500	630 - 800

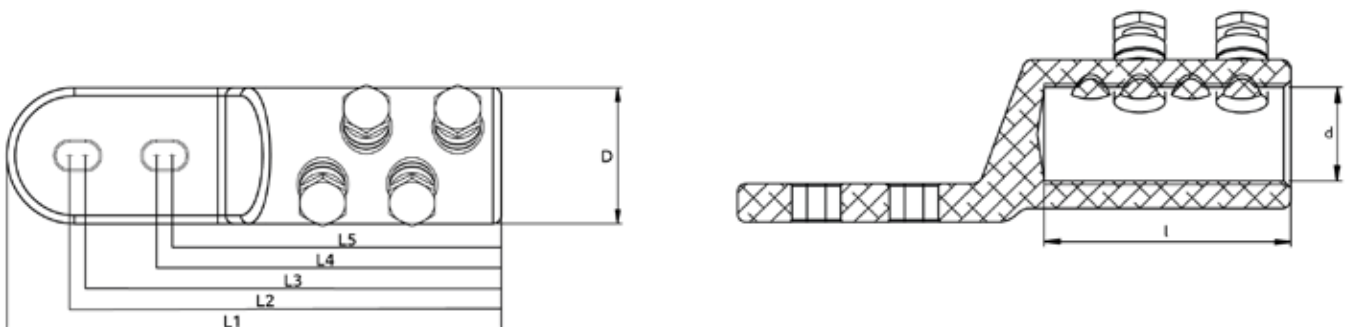
Conductor cross-section Cu (mm²)

RM  Round, stranded	185 - 400	400 - 630	630 - 1000
SM  Sector shaped, stranded	185 - 300	400 - 500	630 - 800

No. of bolts Ø mm	3 / M22	3 / M22	4 / M22 long
L1 / l (mm)	180 / 82	205 / 94,5	238 / 106
L2 / L3 / L4 / L5	159 / 153 / 121 / 115	180 / 174 / 142 / 136	207,5 / 200,5 / 165,5 / 158,5
D / d (mm)	42 / 26	52 / 34	65 / 41
Weight (g)	395	655	1200
Package (pcs)	10	6	3

Suitable for Al/Cu applications

Dimensions



Shear Bolt cable connectors up to 36kV

| For applications up to 36kV

| Suitable for Al and
Cu conductors

Certified according to

| **EN61238-1 class A**



Shear Bolt connectors are used for joining aluminium or copper conductors in applications up to 36kV.

Advantages

- Shear Bolt technology allows installation of the lugs using a regular wrench or a spanner, no crimping or other special tools are needed.
- Morek Shear Bolt cable connectors are range taking products that can be used with conductors of varying cross-sections, accommodating a wide range of conductors with only a few items.
- Shear Bolt connectors' specially designed aluminium bodies are made of high-strength aluminium alloy and are tin-plated, allowing their use with both aluminium and copper conductors.
- Bolts made of aluminium or tin-plated brass are designed to break at the exact torque required for best electrical connection.
- Shear Bolts are treated with special antioxidation grease to ensure the lubrication and eliminate all kinds of oxidation in places of electrical contact.
- All Morek Shear Bolt lugs are watertight and suitable for indoor and outdoor installation, to be used with solid, stranded, sector shaped and round conductors with plastic or oil-impregnated paper isolation.
- Shear Bolt connectors are compatible with most termination kits by many manufacturers. Compact design requires less installation space, especially for larger sizes.

Certification and regulations

Tested according to IEC61238-1 class A

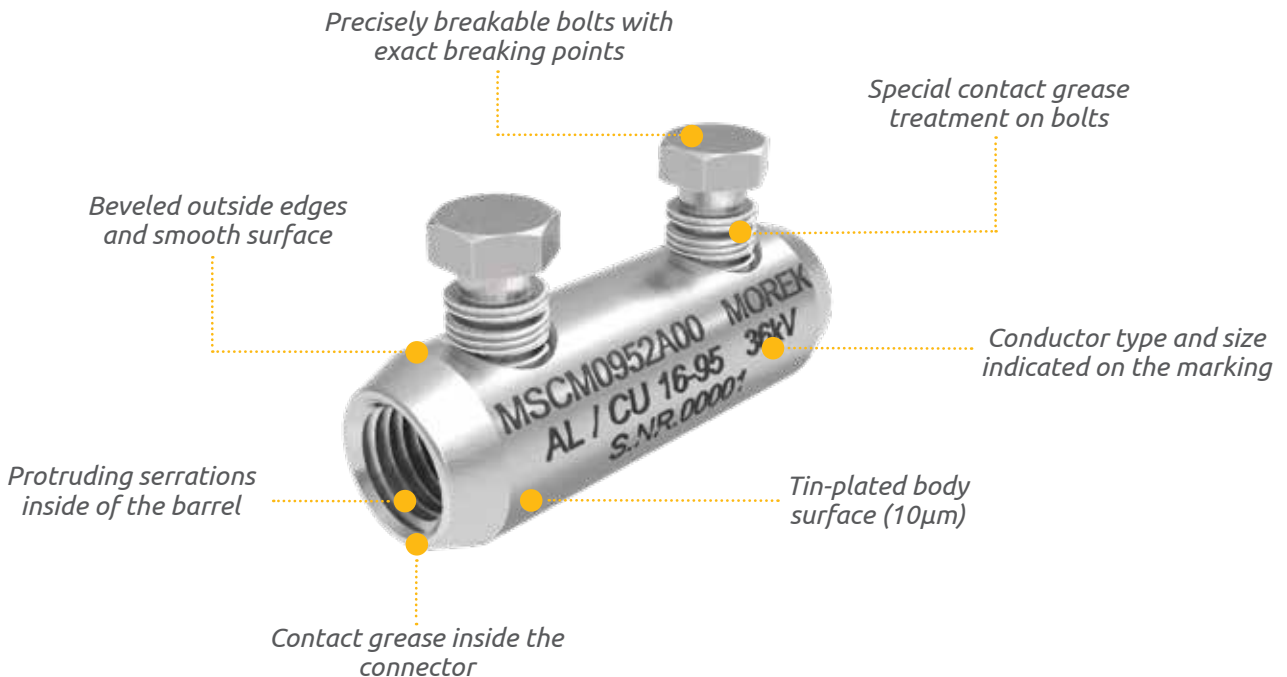
Technical specifications

- Nominal voltage up to 36kV
- Suitable for copper and aluminium conductors
- Bolts and barrels are treated with antioxidation grease
- Conductor centering rings included

Materials

Connector body: tin-plated high-strength aluminium alloy

Cable lug bolts: aluminium alloy



EN 61238-1:2003 divides cable lugs and connectors into two classes:

Class A (heat cycle and **short-circuit tested**) - These are connectors intended for electrical distribution or industrial networks in which they can be subjected to short-circuits of relatively high intensity and duration. Therefore, Class A connectors are suitable for most applications.




Class B (heat cycle tests only, **not short-circuit tested**) - These are connectors for networks in which overloads or short-circuits are rapidly cleared by the installed protective devices, e.g. **fast-acting fuses**.





	MSCM0952A00	MSCM1502A00	MSCM2404A00	MSCM3004A00
--	-------------	-------------	-------------	-------------

Technical data

Conductor cross-section Al (mm²)

RE  Round, solid	16 - 95	50 - 150	95 - 240	120 - 300
RM  Round, stranded	16 - 95	50 - 150	95 - 240	120 - 300
SM  Sector shaped, stranded	25 - 70	50 - 120	95 - 185	120 - 240

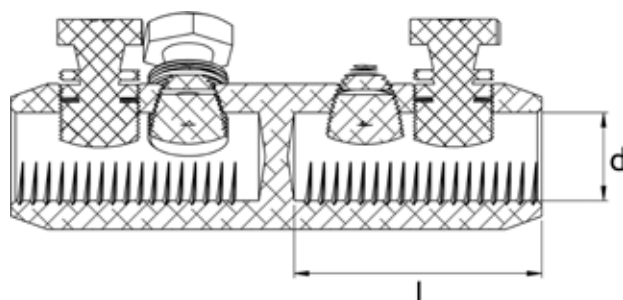
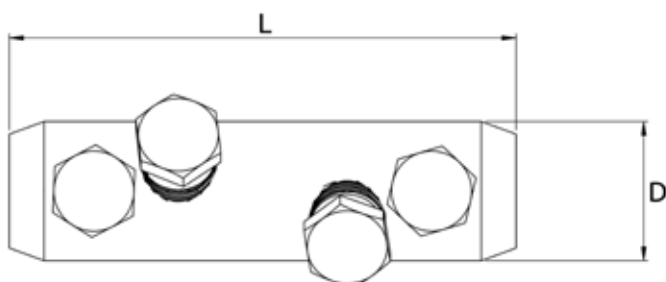
Conductor cross-section Cu (mm²)

RM  Round, stranded	16 - 70	50 - 120	95 - 240	120 - 300
SM  Sector shaped, stranded	25 - 70	50 - 120	95 - 185	120 - 240

No. of bolts Ø mm	2 / M12	2 / M14	4 / M18	4 / M22
L / l	70 / 33	80 / 35	120 / 56	142 / 67
D / d	24 / 14	30 / 16	33 / 20	38 / 24,5
Weight (g)	74	146	230	400
Package (pcs)	30	25	15	10

Suitable for Al/Cu applications

Dimensions





MSCM400



MSCM630






MSCM1000



	MSCM4006A00	MSCM6306A00	MSCM10008A00
--	-------------	-------------	--------------

Technical data

Conductor cross-section Al (mm²)

RE 	Round, solid	185 - 400	400 - 630	630 - 1000
RM 	Round, stranded	185 - 400	400 - 630	630 - 1000
SM 	Sector shaped, stranded	185 - 300	400 - 500	630 - 800

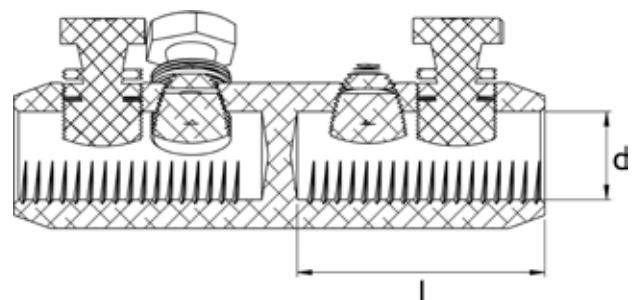
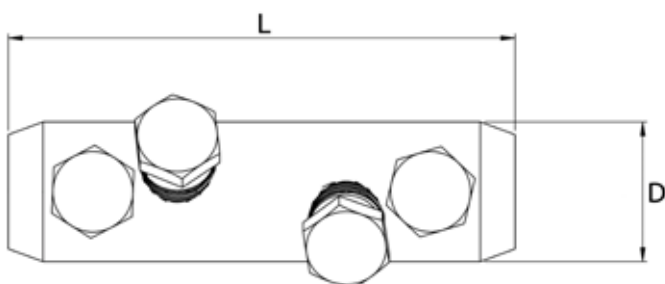
Conductor cross-section Cu (mm²)

RM 	Round, stranded	185 - 400	400 - 630	630 - 1000
SM 	Sector shaped, stranded	185 - 300	400 - 500	630 - 800

No. of bolts Ø mm	6 / M22	6 / M22	8 / M22 long
L / l	170 / 82	200 / 94	220 / 105
D / d	42 / 26	52 / 34	65 / 41
Weight (g)	580	815	1340
Package (pcs)	5	3	2

Suitable for Al/Cu applications

Dimensions



Heat-shrink sets for cables up to 1kV

| For applications up to 1kV

**| Suitable for cables with
PVC/XLPE insulation**

Certified according to

EN61238-1 class A



- The termination kits are used for terminating 1kV cables with plastic insulation and outer plastic sheath. Shear Bolt cable lugs are included in the kits.
- Termination kits are available for 3, 4 or 5 core cables and are suitable for both aluminium and copper conductors.
- Sanding and cleaning materials are also included together with instruction manuals for the kits.

- Heat-shrink terminations and tubes are high quality products and make the process of installation easy.
- Heat-shrink cable termination kits are available for indoors and outdoors applications.



Order code	Conductor size	Lugs	Qty of cores
MSLS0351A10	Al / Cu 6 - 35 mm ²	4 x MSL0351A10	4
MSLS0701A12	Al / Cu 25 - 70 mm ²	4 x MSL0951A12	4
MSLS1202A12	Al / Cu 70 - 120 mm ²	4 x MSL1502A12	4
MSLS2402A12	Al / Cu 120 - 240 mm ²	4 x MSL2402A12	4

Please contact your Customer Service representative for information on kits for 3 and 5 core cables.

- The jointing kits are used for joining 1kV cables with plastic insulation and outer plastic sheath. Shear Bolt cable lugs are included in the kits.
- Jointing kits are available for 3, 4 or 5 core cables and are suitable for both aluminium and copper conductors.
- Sanding and cleaning materials are also included together

- with instruction manuals for the kits.
- Heat-shrink tubes for cores and outer sheath are high quality products and make the process of installation easy.



Order code	Conductor size	Connectors	Qty of cores
MSCS0162A00	Al / Cu 2,5 - 16 mm ²	4 x MSCL0162A00	4
MSCS0352A00	Al / Cu 6 - 35 mm ²	4 x MSCL0252A00	4
MSCS0502A00	Al / Cu 16 - 50 mm ²	4 x MSCL0502A00	4
MSCS0952A00	Al / Cu 25 - 95 mm ²	4 x MSCL0952A00	4
MSCS1202A00	Al / Cu 70 - 150 mm ²	4 x MSCL1502A00	4
MSCS2404A00	Al / Cu 95 - 240 mm ²	4 x MSCL2404A00	4
MSCS2402A00	Al / Cu 120 - 240 mm ²	4 x MSCL2402A00	4
MSCS3004A00	Al / Cu 150 - 300 mm ²	4 x MSCL3004A00	4

Please contact your Customer Service representative for information on kits for 3 and 5 core cables.

Gel joints Break

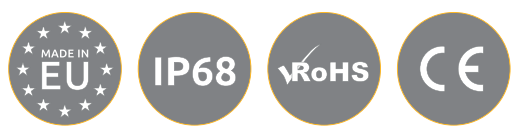
Fastest way to make an underground connection!

No expiration date

IP 68

For underground installation

UV- and chemical resistance



Gel joints Break series is suitable to guarantee insulation of low voltage main and shunted, single-pole and multi-pole connections ranging from 0,6/1 kV.

The list of products is made up of a series for main connections and a series for shunted connections. The first series allows single-pole and multi-pole connections with max. section respectively of 1x185 mm² and 4x25 mm²; the second series allows single-pole and multi-pole shunted connections with max. section respectively of 1x120 mm² e 4x10 mm².

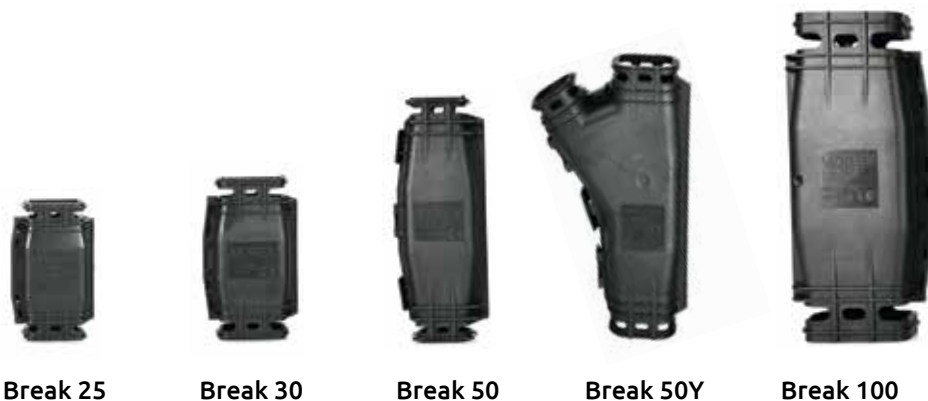
The insulation phase in each joint is made with a separator included in the kit or with the innovative modular insulated terminals, up to five phases with max. section of 35 mm².

Technical specifications

- Protection degree IP68
- Operating temperature from -20 °C to +90 °C

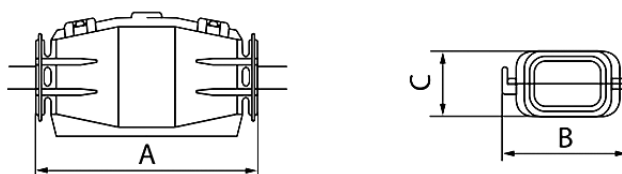
Regulations compliance

- EN 50393 (0,6/1 kV)
- EN 60529
- RoHS Directive 2011/65/EC
- 20-37/2-1, 20-37/7
- EN 60695-2-11



	Break 25	Break 30	Break 50	Break 50Y	Break 100
Order code	MBG0025A24	MBG0030A24	MBG0050A24	MBG0050Y24	MBG0100A24
Dimensions A / B / C (mm)	70 / 42 / 24	100 / 59 / 34	165 / 62 / 36	180 / 105 / 36	220 / 100 / 50
Package (pcs)	4	5	3	1	1

Dimensions



Installation



1. Strip and crimp wires.



2. Dip connection in the gel and block wires at the ends with the included tie-wraps.



3. Verify clip closing and gel overflowing in wire input/output points in order to guarantee a perfect watertight seal.

Components and characteristics

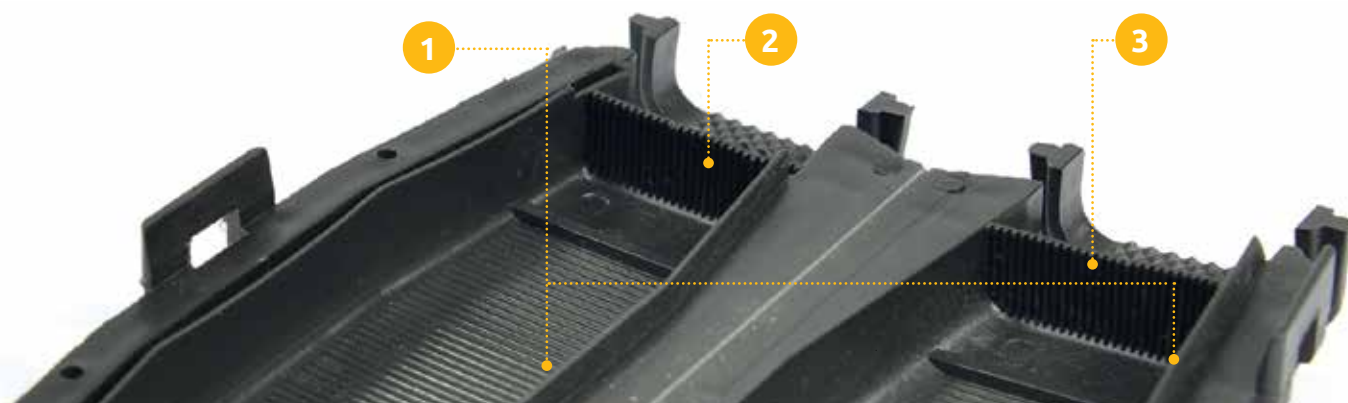
- Two polypropylene hinged shells with patented watertight system, made up of a longitudinal ribbing (1) functioning as the gel containing bulkhead. At both ends there are pre-fractured walls (2) that allow gel overflowing, ensuring a good water tightness.
- Wire slipping is avoided in longitudinal direction thanks to ribbing (3) at the ends of the shells and in transversal direction thanks to wire fixing with tie-wraps included in the package.
- Patented separator made up of two notched plates that allow a reciprocal jointing and two protrusions that block the plates.
- There are two holes at the ends of each model in order to insert and fix tie-wraps. Joint opening can occur only using a tool according to norm CEI 64-8.

Advantages

- Re-enterable connection
- High mechanical strength with wide range of operating temperature
- Fast laying
- Cross-linked gel in the two shells (avoiding additional casting)
- Versatility of application, even in submerged conditions
- High watertight properties
- High dielectric strength
- Non sliding wires
- High strength against chemical agents or UV rays
- No expiration date

Kit content*

- Shell
- Tie-wraps
- Separator



Order code	Type	Connection type	●				●●				●●●				●●●●			
			Main (mm²)		Shunted (mm²)		Main (mm²)		Shunted (mm²)		Main (mm²)		Shunted (mm²)		Main (mm²)		Shunted (mm²)	
			Min.	Max.	Min.	Max.	Min.	Max.	Min.	Max.	Min.	Max.	Min.	Max.	Min.	Max.	Min.	Max.
MBG0025A24	Break 25	Main wiring	1,5	25	-	-	-	-	-	-	-	-	-	-	-	-	-	-
		Branching wiring	1,5	25	1,5	10	-	-	-	-	-	-	-	-	-	-	-	-
MBG0030A24	Break 30	Main wiring	1,5	50	-	-	1,5	10	-	-	1,5	4	-	-	1,5	2,5	-	-
		Branching wiring	1,5	50	1,5	35	-	-	-	-	-	-	-	-	-	-	-	-
MBG0050A24	Break 50	Main wiring	10	120	-	-	6	16	-	-	1,5	10	-	-	1,5	10	-	-
		Branching wiring	10	70	1,5	35	1,5	10	1,5	6	1,5	10	1,5	4	1,5	6	1,5	4
MBG0100A24	Break 100	Main wiring	35	185	-	-	16	50	-	-	4	25	-	-	6	25	-	-
		Branching wiring	25	150	10	120	10	35	6	25	4	16	2,5	4	6	16	2,5	10
MBG0050Y24	Break 50Y	Main wiring	-	-	-	-	-	-	-	-	-	-	-	-	-	-	-	-
		Branching wiring	6	70	2,5	50	1,5	25	1,5	16	2,5	16	1,5	10	2,5	16	1,5	10

The range of product is made up of three single-pole models MC 06, MC 16, MC 35 that allow insertion of wires with max sections respectively of 6 mm², 16 mm², 35 mm². Models with the same section can be assembled in different configurations from two up to five poles. In three- and five-pole combination the result is a pyramidal structure that optimises

space utilization, especially in applications of resin and gel joints Break (see on page 139). It is also possible to create models with different sections.

Materials

- Self-extinguishing transparent polycarbonate - insulating case
- Brass CW 614 N – conductive case
- Zinc – plated steel – dowels

Technical specifications

- Operating temperature from -20 °C to +90 °C
- Rated insulation voltage: 500 V
- Rated current: 24 A (MC 06), 41 A (MC 16), 76 A (MC 35)
- Tightening torque dowels: 0,6 Nm (MC 06), 1,8 Nm (MC 16), 10 Nm (MC 35)
- Inflammability grade according to UL 94 V-2
- Flame and ignition resistance according to IEC 695-2-1
- Compliance with glow wire test 850 °C (EN 60695-2-11)

Advantages

- Modular capacity from two up to five poles
- Fast and easy wiring
- Double insulation degree per joints connections
- Fast maintenance
- Re-enterable and reusable connection (needed mostly in joints)
- High protection degree
- Application flexibility
- Reduced space utilization with three- and five-pole pyramid structure

Certification and regulations

- IEC/EN 60695-2-11
- EN 60998-1:2004
- EN 60998-2-1:2004
- RoHS 2011/65/CE



MC 06

MC 16

MC 35

	MAH0006A24	MAH0016A24	MAH0035A24
--	------------	------------	------------

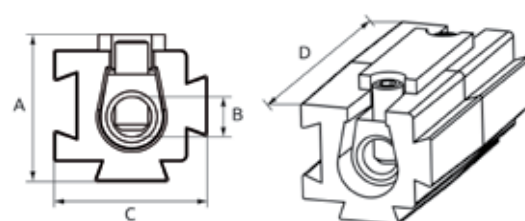
Technical data

In-line connection	max. wire section (mm ²)	6	16	35	
Shunted connection	Feed through wire	min. section (mm ²)	1,5	2,5	6
		max. section (mm ²)	6	10	25
	Shunted wire	min. section (mm ²)	1,5	2,5	6
		max. section (mm ²)	1,5	4	10
Size (mm)	A	13,2	13,6	19,2	
	B	3,6	5,8	9,3	
	C	13,8	14,2	19,8	
	D	28	31	40	
Screw, hexagonal key		No. 1,5	No. 2	No. 4	
Weight (g)		7	10	34	
Package (pcs)		10	10	5	

Maximum number of terminals recommended to use inside of gel joints Break.

Dimensions

	MC 06	MC 16	MC 35
Break 25	1	1	-
Break 30	3	3	2
Break 50	5	5	2
Break 50Y	5	5	3
Break 100	5	5	5



The immediate use with injection, auto-levelling and reenterability make this product very flexible in every application, even in areas with difficult access. The cartridge package optimise space needs and allows a dosing for specific applications.

- Re-enterable
- Easy to lay without tools
- No expiration date
- Does not need drying process
- High resistance to aging
- Transparent for an immediate connection check
- High and durable adherence
- Dosing possibility, avoiding useless product waste



Technical specifications

- Operating temperature from -60 °C to 200 °C
- Dielectric strength > 23 kv/mm
- Thermal conductivity < 0,2 w/mk
- Dielectric constant < 5
- Volume resistivity > 2x10¹⁵ ωxcm
- Autoignition temperature: > 400 °C

Advantages

- Ready to be used, wire framed, injectable
- Ecological and non-toxic
- Auto-agglomerating and auto-levelling

Order code	Description	PHS (pcs)
MBG0002G24	Insulation mono-component gel in cartridges 300g	1 / 24

InsuGel One, 1 kg

It is the ideal solution for junction boxes filling even when they are installed both horizontally and vertically. High protection degree for connections is guaranteed only if all holes or any slot in the casing are accurately sealed with sealing paste.

- Auto-levelling
- High insulation resistance
- Flexibility in horizontal and vertical applications
- No expiration date
- Not subject to inhibition process
- Not conditioned by temperature

Technical specifications

- Linear shrinkage 23°C / 0%
- Penetration degree 23°C / 200mm
- Hardness (shore a) 23°C gel
- Self-extinguishing (compliant to norm cei en 60695-2)
- Protection degree ipx8 (compliant to norm cei en 60695) with waterproof container
- High insulation resistance up to 3500 v: compliant to norm en 60439-1

Advantages

- Ready to be used without mixing and cross-linking process
- Transparency with connection check
- Easy to lay without tools
- Non-toxic
- Re-enterable even after long operating times
- Reusable



Order code	Description	PHS (pcs)
MBG0001G24	Mono-component gel in paste form, re-enterable/reusable, 1kg package	1 / 12



Distribution blocks SLT

| 1000 V AC/DC

| Bimetal
| (Al/Cu)

| Class A

Certified according to
standards EN 61238-1
and EN 60947-7-1



Distribution blocks are designed for copper and aluminium conductors. The blocks are suitable for all types of copper or aluminium conductors with cross-section up to 50 mm² (Al) / 35 mm² (Cu). Multiple copper terminal wires can be placed to the blocks according to the respective terminal type. IP protection class for blocks is IP23.

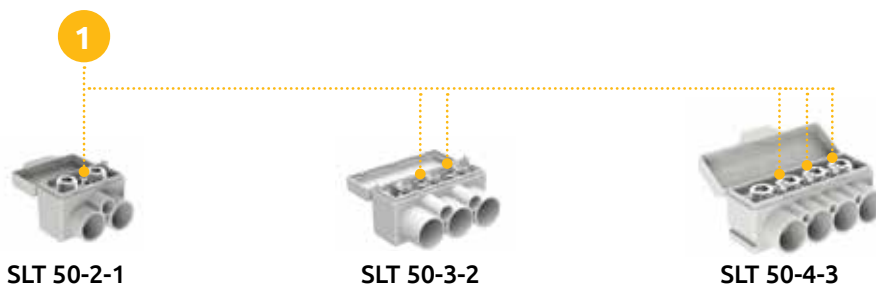
SLT distribution blocks come in 2-, 4- and 6-terminal sizes, with some models providing additional connection (1) points for connecting small conductors (e.g. LED lights).

Distribution blocks are tested and certified class A connectors. Distribution blocks are tested and certified by following standards:

* EN 60947-7-1:2009, * EN 61238-1:2003

Distribution blocks are used inside metal poles or in separate boxes. The items are soon available with DIN rails!

* Look more about standards on page 8.



Grey		MAS2051A10	MAS3051A10	MAS4051A10
Blue		MAS2051B10	MAS3051B10	MAS4051B10
Yellow-green		MAS2051Y10	MAS3051Y10	MAS4051Y10

Technical data			
Conductor cross-section Cu (mm ²)	2 x (2,5 - 35) + 1 x 1,5 - 6	3 x (2,5 - 35) + 2 x (1,5 - 6)	4 x (2,5 - 35) + 3 x 2,5
Conductor cross-section Al (mm ²)	2 x (16 - 50)	3 x (16 - 50)	4 x (10 - 50)
Nominal voltage (V)	1000	1000	1000
Nominal current Cu / Al (A)	135 / 145	135 / 145	135 / 145
Width / Height / Length (mm)	36 / 27 / 29	55 / 30 / 32	60 / 27 / 29
Screw / hexagonal key (AV)	5 / 3	5 / 3	5
Tightening torque (Nm)	3 Nm (2,5 - 16 mm ²) 8 Nm (25 - 50 mm ²)	3 Nm (2,5 - 16 mm ²) 8 Nm (25 - 50 mm ²)	3 Nm (2,5 - 16 mm ²) 8 Nm (25 - 50 mm ²)
	2 Nm (1,5 - 6 mm ²)	2 Nm (1,5 - 6 mm ²)	1 Nm (1,5 - 2,5 mm ²)
Weight (g)	33	49	46
Package (pcs)	18	18	18

Dimensions





SLT 50-6-3



SLT 50-4



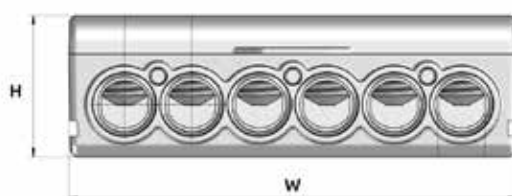
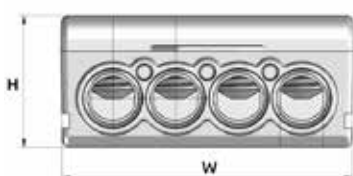
SLT 50-6

Grey		MAS6051A10	MAS4050A10	MAS6050A10
Blue		MAS6051B10	MAS4050B10	MAS6050B10
Yellow-green		MAS6051Y10	MAS4050Y10	MAS6050Y10

Technical data

Conductor cross-section Cu (mm ²)	6 x (2,5 - 35) + 3 x 2,5	4 x (2,5 - 35)	6 x (2,5 - 35)
Conductor cross-section Al (mm ²)	6 x (10 - 50)	4 x (10 - 50)	6 x (10 - 50)
Nominal voltage (V)	1000	1000	1000
Nominal current Cu / Al (A)	135 / 145	135 / 145	135 / 145
Width / Height / Length (mm)	86 / 27 / 29	60 / 27 / 29	86 / 27 / 29
Screw / hexagonal key (AV)	5	5	5
Tightening torque (Nm)	3 Nm (2,5 - 16 mm ²) 8 Nm (25 - 50 mm ²) 1 Nm (1,5 - 2,5 mm ²)	3 Nm (2,5 - 16 mm ²) 8 Nm (25 - 50 mm ²)	3 Nm (2,5 - 16 mm ²) 8 Nm (25 - 50 mm ²)
Weight (g)	70	41,8	61,1
Package (pcs)	6	18	6

Dimensions



Branching connector sealing kit

Branching connector sealing kit

Order code	MAS0002A10
Weight (g)	5
Package (pcs)	3



Connectors for PV applications

Rated voltage

1500 VDC

Rated input current

25 / 40 A

Standard

MC-4

Protection class

IP 68

Tested and certified
according to TÜV standards
IEC 62852:2014
IEC 62852:2014/AMD1:2020
EN 62852:2015/A1:2020



Morek's photovoltaic connectors are designed for long-term outdoor use and are compatible with MC-4 connections.

Advantages

- For conductors 4 ÷ 6 mm
- Rated voltage 1500 VDC
- Rated input current 25 A / 40 A
- Standard MC-4
- Protection class IP 68
- Easy disconnection without tools
- Versions for shield and panels



Flying version



Panel version

	male	female	male	female
Black ●	MAP1006B40	MAP2006B40	MAP1106B40	MAP2106B40

Technical data

	male	female	male	female
Conductor cross-section Cu (mm ²)	4 - 6 mm ²	4 - 6 mm ²	4 - 6 mm ²	4 - 6 mm ²
Rated input current (A)	40 A (4 ÷ 6 mm ²)	40 A (4 ÷ 6 mm ²)	40 A (4 ÷ 6 mm ²)	40 A (4 ÷ 6 mm ²)
Rated voltage DC (V)	1500	1500	1500	1500
Rated impuls voltage (kV)	8	8	8	8
Rated insulation voltage(kV)	10	10	10	10
Pollution degree	3	3	3	3
Temperature range (°C)	- 40 ÷ +85	- 40 ÷ +85	- 40 ÷ +85	- 40 ÷ +85
Material of the electroconductive part	tinned copper	tinned copper	tinned copper	tinned copper
Material of the insulating part	PPE + PS	PPE + PS	PPE + PS	PPE + PS
Flammability	UL 94 V- 0 standard, halogen free	UL 94 V- 0 standard, halogen free	UL 94 V- 0 standard, halogen free	UL 94 V- 0 standard, halogen free
Width / Height / Length (mm)	20 / 20 / 62	20 / 20 / 59	20 / 20 / 62	20 / 20 / 62
Weight (g)	11	10	11	11
Package (pcs)	50 / 300	50 / 300	50 / 300	50 / 300
Tested according standards	EN 62852:2015 + A1:2020	EN 62852:2015 + A1:2020	EN 62852:2015 + A1:2020	EN 62852:2015 + A1:2020



Photovoltaic 2,5-6 mm² male connector



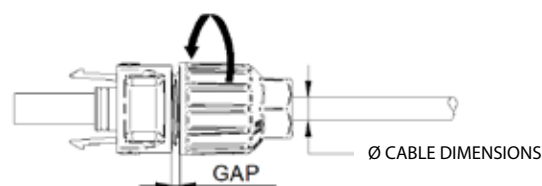
Photovoltaic 2,5-6 mm² female connector

White ●	MAP0000A40	-
Red / blue ●	-	MAP0001A40
Package (pcs)	1 pair	1

Connector assembly instruction

Please referred to the assembly specification for cable dimension as shown in the following table before cable assembling, and please do not applying exceeded tightening torque for the connecting safety and performance issues.

- The cable must be 8 mm stripped.
- Insert the crimped contact without removing the gland ring.
- Applies to products:
MAP2006B40
MAP1006B40
MAP2106B40
MAP1106B40



Assembling specification

Cable dimension	Gap	Tightening torque
Sez. 4 mm (5,0 ÷ 6,6 mm ²)	2,2 ± 0,2 mm	1,2 ÷ 1,5Nm
Sez. 6 mm (6,0 ÷ 7,1 mm ²)	2,3 ± 0,2 mm	1,2 ÷ 1,5Nm

TPE (Thermoplastic Elastomer)

- Excellent resistance to weathering, ozone and UV exposure
- Provides good chemical resistance, and excellent electrical properties limited resistance for oils (resists oils as splash)
- Flame retardant grades UL 94 V-0 , halogen free
- Standard hardness 25 ShA – 70 ShA
- Recyclable
- Wide range of colors, easy to customize
- Service temperature range -40 to + 100 °C
- FDA approved grades available

TPU (Thermoplastic Urethane)

- Good resistance to weathering, ozone and UV exposure
- Good abrasive properties
- Limited resistance for oils (resists oils as splash)
- Standard hardness 50 ShA – 70 ShA
- Recyclable
- Wide range of colors, easy to customize
- Service temperature range -40 - + 100 °C
- FDA approved grades available

TPV (Thermoplastic Vulcanizate)

- Show excellent resistance to UV Light; very little change in Delta E
- Improved oil and chemical resistance; Exhibit superior chemical resistance over a wide range of temperature (Oils / Petroleum and Sebum, Automotive fluids, aqueous solutions, acids and bases, organic solvents).
- Flame retardant grades 50 ShA to 50 ShD , UL 94 V-0
- Hardness range 15 ShA to 50 ShD Temperature range continues use up to 125 °C and short-term exposure up to 150 °C. Brittle point lower than -60 °C for most grades. Provides good low-temperature flexibility and impact toughness.
- It looks and feels like thermoset rubber
- Improved compression set at elevated temperatures (over 70 °C)
- Medical/food contact grades from 45 ShA to 50 ShD

EPDM (Ethylene Propylene Diene Monomer)

- Superior resistance to weathering, ozone and UV exposure
- Provides excellent chemical resistance, and good electrical properties
- Resists animal and vegetable oils, steam, water and oxygenated solvents
- Flame retardant grades UL 94 V-2
- Standard hardness 40 ShA – 70 ShA
- Limited range of colors
- Working temperature range -40 to + 120 °C
- EMC grades with attenuation around 40 dB

NBR (Nitrile Butadiene Rubber)

- Limited weathering resistance
- It is generally resistant to fuel and other chemicals. Also

resistant to aliphatic hydrocarbons but less resistant aromatic hydrocarbons, ketones, esters, aldehydes and to ozone

- Flame resistance is poor
- Hardness range 20 - 95 ShA
- Working temperature range of -40 to + 125 °C
- Environmental performances: colorability, gas permeability and water resistance are excellent
- Other physical & mechanical properties: adhesion to metal and rigid materials are excellent, abrasion resistance, compression set and tear resistance are good to excellent

CR (Chloroprene Rubber)



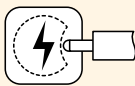
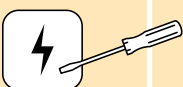

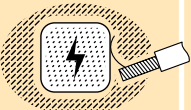
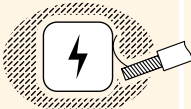
- Good weathering resistance, flame retarding. Moderate resistance to petroleum-based fluids
- Service temperature -45 to +120 °C
- Adhesion to many substrates
- Good resistance toward chemicals and ageing
- CR in general has good chemical stability and maintains flexibility over a wide temperature range
- Hardness range 40 – 95 ShA

Q (Silicone)

- Excellent resistance to weathering, ozone and UV exposure
- Also provides excellent chemical resistance and good electrical properties
- Resists oils as splash
- Flame retardant grades UL 94 V-0
- Standard hardness 25 ShA – 90 ShA
- Wide range of colors, easy to customize
- Service temperature range -50 - + 200 °C






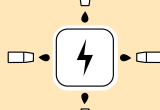
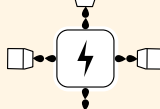


First numeral

Protection against ingress of solid foreign objects

IP	Requirements	Example	Meaning protection of persons against access to hazardous parts with:
0	No protection		No protection provided
1	Full penetration of 50,0 mm diameter sphere not allowed and shall have adequate clearance from hazardous parts. Contact with hazardous parts not permitted		Back of hand
2	Full penetration of 12,5 mm diameter sphere not allowed. The jointed test finger shall have adequate clearance from hazardous parts		Finger
3	The access probe of 2,5 mm diameter shall not penetrate		Tool
4	The access probe of 1,0 mm diameter shall not penetrate		Wire
5	Limited ingress of dust permitted (no harmful deposit, refer to standard)		Wire
6	Totally protected against ingress of dust		Wire

Second numeral

Protection against harmful ingress of water

IP	Requirements	Example	Meaning for protection from ingress of water:
0	No protection		No protection provided
1	Protected against vertically falling drops of water		Vertically dripping
2	Protected against vertically falling drops of water with enclosure tilted 15° from the vertical.		Enclosure tilted 15° from the vertical
3	Protected against sprays to 60° from the vertical		Limited spraying
4	Protected against water splashed from all directions		Splashing from all directions
5	Protected against low-pressure jets of water from all directions		Hosing jets from all directions
6	Protected against strong jets of water		Strong hosing jets from all directions
7	Protected against the effects of immersion between 15,0 cm and 1,0 m		Temporary immersion
8	Protected against longer periods of immersion under pressure		Immersion







Get electric cars charged easily and quickly

For installers and developers.

Unlock the potential of quick and affordable installation with our well-thought-out solution. Experience the benefits and elevate your business to new heights.

For the property owner and manager.

Our comprehensive charging solution and management software enhance the appeal and revenue of your property with EV charging infrastructure.

For the end-user.

Simplify your EV charging experience with our user-friendly interface and stylish chargers. Take control remotely, access valuable app stats, and expand effortlessly across locations.

- **DC chargers 30 - 180 kW**
- **AC chargers up-to 22 kW**
- **EV charging accessories**
- **Public charging solutions**



ev.morek.eu

Morek is expanding its range of EV products to help create a better future. Ask for more!

Morek Finland

+358 40 770 8030
myynti@morek.fi

Morek Estonia

+372 604 1423
morek@morek.ee

Morek Latvia

+371 2618 6699
moreklv@morek.eu

Morek Lithuania

+370 6738 2192
info@morek.lt

Morek Poland

+48 5 0164 2007
morekpl@morek.eu

Morek Czech Republic

+420 7 2793 9795
morek@morek.cz

Morek Slovakia

+421 91815 9385
morek@morek.sk

Morek France

+33 6 9570 5121
morek@morek.fr

Morek Bulgaria

+420 7 2793 9795
morek@morek.cz

Morek Portugal

+351 9 3222 1008
francisco@morek.pt

Morek Export

+48 5 0802 8889
export@morek.eu

